

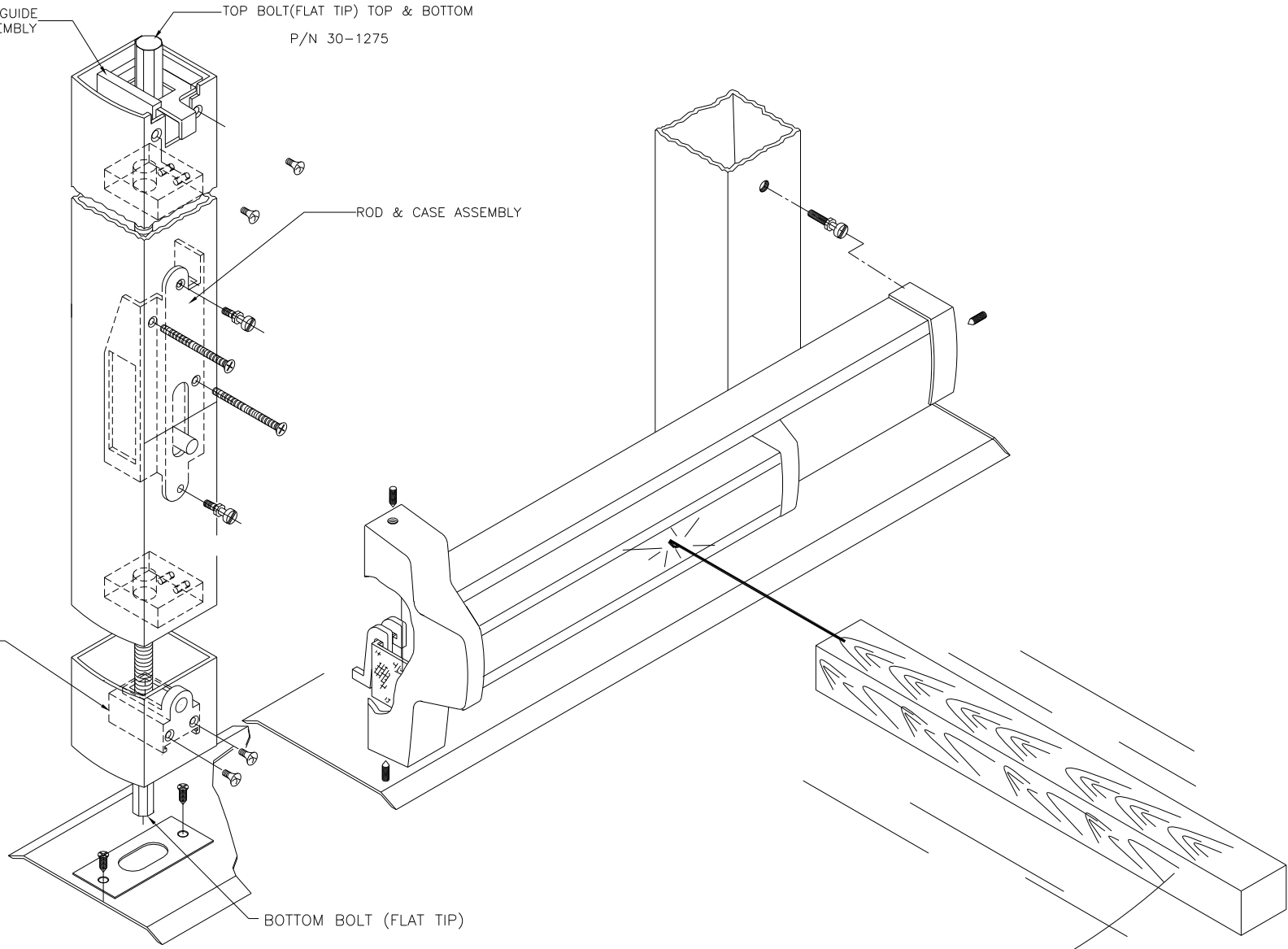
MODEL
2086
LHRB (SHOWN)

TOP ALUMINUM BOLT GUIDE ASSEMBLY
TOP BOLT (FLAT TIP) TOP & BOTTOM
P/N 30-1275

ROD & CASE ASSEMBLY

BOTTOM ALUMINUM BOLT GUIDE ASSY

BOTTOM BOLT (FLAT TIP)



TEST PROCEDURE
2"x4" PIECE OF TIMBER
FIRED OUT OF CANNON @55 MILES PER HOUR
DIRECT HIT AGAINST PUSH BAR

DIMENSIONAL TOLERANCES UNLESS OTHERWISE SPECIFIED	APPROVED	DATE
DECIMAL DIMENSIONS .XX ± .010	CHECKED	
DECIMAL DIMENSIONS .XXX ± .005	DRAWN	RM 04/04/02
ANGULAR ± ° FRACTIONAL ± 1/64	SCALE	NONE

FILE NO.	MATERIAL
NEXT ASSY. 2086-KITS	FINISH
QTY. USED 1	HEAT TREAT

INSTALLATION GUIDE
2086 CVR PANIC DEVICE
(WITH ALUM. BOLT GUIDES)

SHEET 1 OF 1 SHEETS
DWG. NO. 10-1056
REV. 2

jackson
CORPORATION
3447 UNION PACIFIC AVE.
LOS ANGELES, CALIF. 90023