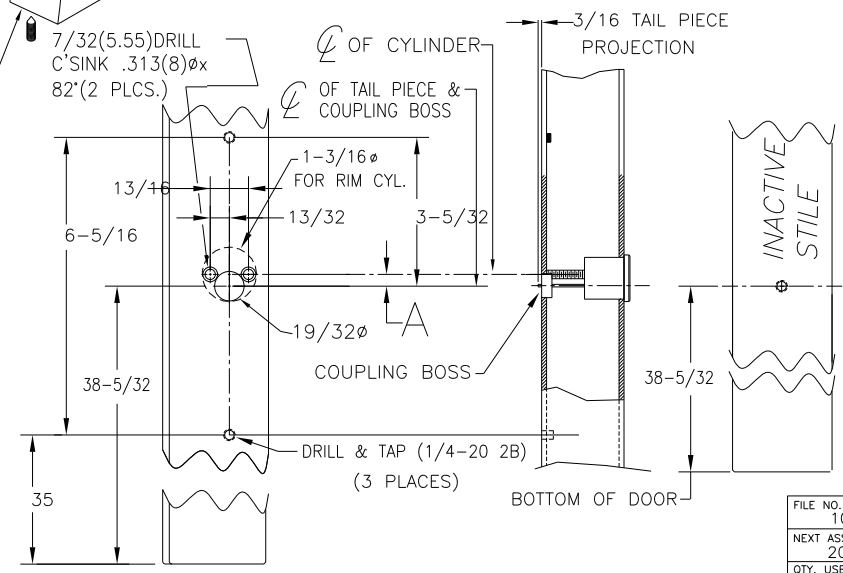
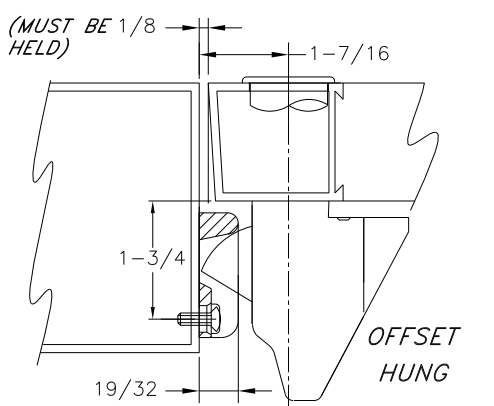


MOUNTING INSTRUCTIONS:

1. PREPARE LOCK STILE PER TEMPLATE NO. 10-916 DRILL CYLINDER MOUNTING HOLES IF REQUIRED.
2. IF OUTSIDE TRIM IS BEING USED, FOLLOW DRILL TEMPLATE 10-997.
3. LOCATE CENTERLINE OF CYLINDER ON EXTERIOR OF DOOR AND DRILL IF REQUIRED.
4. TRIM TAIL PIECE TO FIT (3/16" PROJECTION FROM INSIDE FACE OF DOOR.)
5. MOUNT CYLINDER AND SECURE WITH MOUNTING SCREWS (SUPPLIED BY LOCK MFRG.)
6. TO LOCATE MOUNTING HOLE ON INACTIVE STILE DRILL & TAP 1/4-20 THDS. 38-5/32 FROM BTM. OF DOOR AND "L" DIM FROM ACTIVE STILE, AND INSTALL SHOULDER BOLT. TO INSTALL ACTIVE PAD INSTALL TWO SHOULDER BOLTS ON STILE.
7. MOUNT EXIT DEVICE AND TIGHTEN (3) 1/4-20 SOC. SET SCR'S. (2) ON ACTIVE PAD (1) ON INACTIVE END OF PANIC DEVICE.
8. TO INSTALL STRIKE LOCATE 10-24 TAPS ON ACTIVE STILE (2 PLACES).
9. MOUNT AND SECURE STRIKE.
10. CHECK OPERATION TO ASSURE THAT ALL PARTS INCLUDING CYLINDER IF BEING USED ARE FUNCTIONING PROPERLY.
11. DOGGING INSTRUCTIONS
 TO DOG: :FULLY DEPRESS TOUCH BAR, PUSH DOGGING PIN, THEN RELEASE.
 TO UNDOG PUSH DOGGING PIN UP, BAR WILL RELEASE.
12. WHEN ANTI-PICK CAM IS DEPRESSED BY STRIKE (BY HAVING DOOR CLOSED) LATCH WILL NOT RETRACT.

MODEL
2095 "S" STRIKE
LHRB (SHOWN)



FUNCTIONAL CYLINDERS	A	DOOR OPENING	"L"
ILCO LOCKWOOD YALE CORBIN SCHLAGE RUSSWIN WELCH KEIL	1/4" (6.35)	36" (914)	33-13/32" (848)
		42" (1066)	39-13/32" (1001)
		48" (1219)	45-13/32" (1153)
SARGENT	3/8" (9.53)		

C 11/18/00 ADD NOTES FOR OUTSIDE TRIM ECN1439 RM
 B 12/13/99 REDUCE "L" DIM BY 11/32 ECN1326 RM

DIMENSIONAL TOLERANCES UNLESS OTHERWISE SPECIFIED	APPROVED	DATE
DECIMAL DIMENSIONS .XX ± .010	CHECKED	
DECIMAL DIMENSIONS .XXX ± .005	DRAWN	RM 8/17/99
ANGULAR ± ° FRACTIONAL ± 1/64	SCALE	NONE

FILE NO. 10-953 MATERIAL NONE
 NEXT ASSY. 2095-KITS FINISH NONE
 QTY. USED 1 HEAT TREAT

INSTALLATION GUIDE
 2095 RIM DEVICE x "S" STRIKE

SHEET 1 OF 1 SHEETS
 DWG. NO. 10-953
 REV. C

JACKSON CORPORATION
 3447 UNION PACIFIC AVE.
 LOS ANGELES, CALIF. 90023