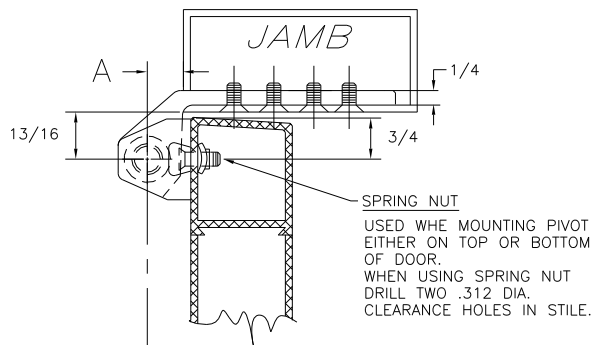
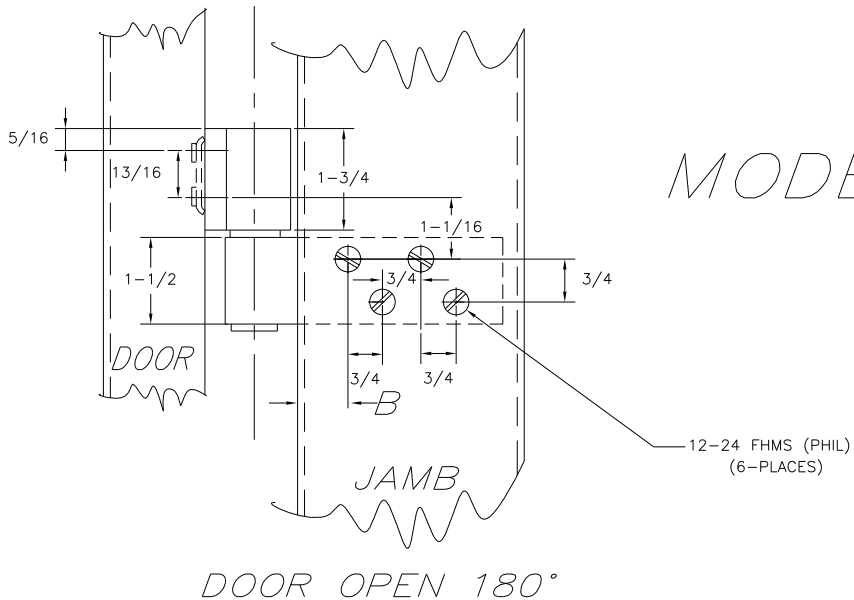


DIMENSION	A	B
DOOR RECESSED 1/8"	5/8"	5/8"
DOOR FLUSH WITH HEADER	3/4"	1/2"

RH/LHRB (SHOWN)
LH/RHRB (OPPOSITE)
PIVOT REVERSIBLE FOR DESIRED HAND



SPRING NUT
USED WHE MOUNTING PIVOT
EITHER ON TOP OR BOTTOM
OF DOOR.
WHEN USING SPRING NUT
DRILL TWO .312 DIA.
CLEARANCE HOLES IN STILE.



MODEL J14

L 5/2/98 R E D R A W N ECN1143		RM
DIMENSIONAL TOLERANCES UNLESS OTHERWISE SPECIFIED		APPROVALS DATE
DECIMAL DIMENSIONS .XX ± .010		APPROVED
DECIMAL DIMENSIONS .XXX ± .005		CHECKED
ANGULAR ± ° FRACTIONAL ± 1/64		DRAWN R.M. 1/16/97
FILE NO. 10-235A	MATERIAL	SCALE NONE
NEXT ASSY.	FINISH	INTERMEDIATE PIVOT SET NO. J14
QTY. USED	HEAT TREAT	SHEET 1 OF 1 SHEETS DWG. NO. 10-235A L

