

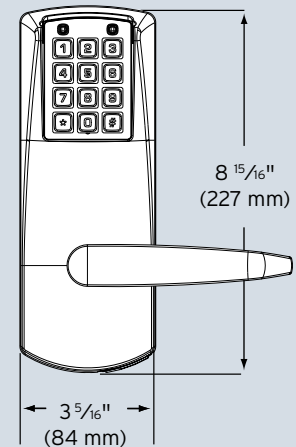
E-Plex® 2000 Cylindrical Specifications



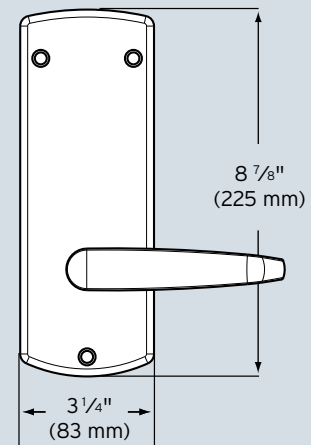
Features

Access Control:	Electronic pushbutton lock—eliminates problems and costs associated with issuing, controlling and collecting keys and cards
Locking Device:	Cylindrical latch with UL 10C fire rating
Number of Codes:	100 access codes per door; over 100 million possible code combinations
Programming:	Locks are easily programmed via keypad
Handing:	Non-handed, pre-assembled for left-hand door installations—easily changed in the field
Key Override (Optional):	Key-in-lever cylinder in Schlage C Keyway with black Kaba cap (as shown) Small format interchangeable core—Best and equivalents (6 or 7-pin length)
Operation Modes:	<ul style="list-style-type: none"> • PIN access • Lockout • Passage—can be toggled on/off or can be pre-programmed to re-lock after a certain number of hours
Authority Levels:	Four different levels allow you to control who has access to specific lock functions, including: Service codes —programmed for one time access or “come-and-go” access for 1 to 24 hours
User Parameters:	Code length —Adjustable to accept 4 to 8 digits Anti-tamper lockout —Adjustable from 3 to 9 invalid attempts with an adjustable period of 0 to 90 seconds Re-lock time —Adjustable from 5 to 20 seconds
Battery Operation:	Batteries located in exterior housing; offers quick and easy battery replacements for institutions (Three AA Alkaline batteries provide more than 100,000 cycles) Lock data is maintained if batteries fail
Ease of Installation:	No wiring to or through the door—no risk of pinched wires

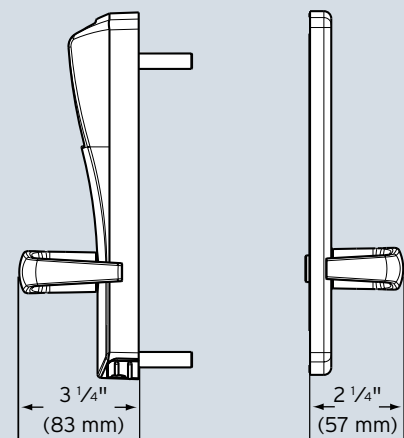
Dimensions



Exterior



Interior



Side View

Mechanical Features

Construction:	Light-duty commercial cylindrical lockset, solid cast exterior housing, solid cast levers, cylindrical drive wear tested for extensive use in indoor and outdoor applications
Numeric Keypad:	Vandal resistant, solid metal pushbuttons
Door Handing:	Non-handed, pre-assembled for left-hand door installations—easily changed in the field
Backsets:	2 ³ / ₄ " (70 mm), 2 ³ / ₈ " (60 mm)
Latch:	¹ / ₂ " (13 mm) latch, ³ / ₄ " (19 mm) latch (optional)
Minimum Stile	5" (127 mm)
Recommended:	
Weight:	8 lbs. (3.63 kg)

Key Override (Optional)

Key-In-Lever Cylinder:	Kaba 1539 6-pin cylinder—Schlage C Keyway
Interchangeable Cores:	Small format—Best and equivalents (6 or 7-pin length)

Installation

Ease of Installation:	No wiring to or through the door—no risk of pinched wires
Door Preparation:	Easily installs on wood or metal doors. ASA 161 door preparation with 3 additional through bore holes
Door Thickness:	1 ³ / ₈ " (35 mm) to 2 ¹ / ₂ " (64 mm). Pre-assembled to accommodate doors 1 ⁵ / ₈ " (41 mm) to 2" (50 mm)
Items Supplied Include:	Lock assembly, installation manual, template and required hardware
Additional Items	Universal Kaba Gasket, 1539 6-pin cylinder, two nickel silver keys, Schlage C Keyway
Supplied with	
Key-in-Lever cylinder	
model only:	

Certification and Testing

Accessibility Standard:	Americans with Disabilities Act (ADA)
Fire Rating:	UL 10C Fire rated
Environmental:	Indoor/Outdoor approved -31° F (-35° C) to + 151° F (66° C)

Warranty

Warranty:	Two-year warranty from date of installation; built-in warranty counter in lock memory
-----------	---

Finishes

Finishes:	Satin Chrome 26D (626) housings and levers Satin Brass 04 (606) housings and levers (optional)
-----------	---



Satin Chrome



Satin Brass

Disclaimer: While reasonable efforts were made to ensure the accuracy of this document at the time of printing, Kaba assumes no liability for any errors or omissions. This information is subject to be revised without notice, and changes may be incorporated in future releases.

KAA1069 0209