



E-Plex[®] 5900 and 5970

Card-Connected Electronic Lock and Stand-Alone Access Controller



KABA's new E-Plex 5900 Series Locks and E-Plex 5970 Stand-Alone Access Controllers are CoreStreet-Enabled™ with Card-Connected technology. Card-Connected technology uses strong cryptography to securely extend a traditional hardwired on-line physical access control system (PACS) to include Kaba's stand-alone products that require no online wiring. Both E-Plex 5900 Series Locks and the E-Plex 5970 Stand-Alone Access Controller (SAC) exchange data with the PACS head-end via cardholders with industry standard DESFire and MIFARE smart cards.

Within the CoreStreet-Enabled PACS, the stand-alone E-Plex 5900 products and the PACS head-end communicate by writing and reading digitally signed data (the users' access policies and privileges and also the lock's audit logs) to and from the users' smart cards. Thus, instead of data being carried only through wired panels, the users' smart cards carry data to and from E-Plex 5900 Series Card-Connected stand-alone locks and access controllers, thereby eliminating the need for expensive wiring to each access point.

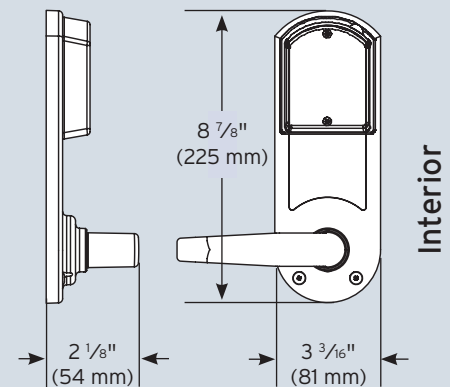
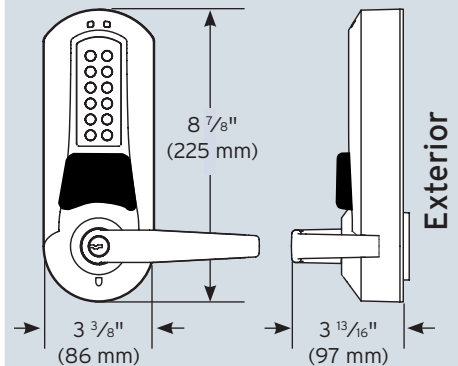
The Card-Connected PACS enables a large number of wired access points and stand-alone E-Plex 5900 Series Locks and Access Controllers to be installed and centrally managed at a fraction of the cost per door, compared with a traditional hard-wired PACS system.



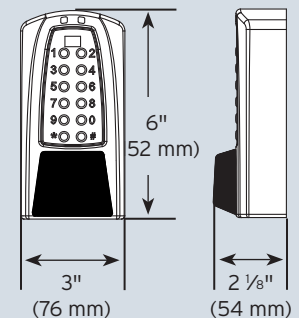
Features

Access Modes:	Single Factor-Card only, or Dual Factor-PIN followed by Card
Smart Cards:	Supported DESFire or MIFARE Card-ISO 14443A Compliant Contactless Interface
Programming and Auditing:	A Windows Mobile OS based handheld PDA running the CCMU Software (Card-Connect Maintenance Unit), or by an administrator smart card
Access Levels:	Up to 12 access levels per lock that are configured in the PAC system

E-Plex 5900



E-Plex 5970



Features (Continued)

Audit Log Capacity:	30,000 log events
Power:	E-Plex 5900 —4 AA Alkaline Batteries good for up to 180,000 cycles E-Plex 5970 —Requires 12-24Vdc power input from standard, off-the-shelf power interface units. If power is lost, user data and lock parameters are retained in on-board memory
Passage Mode Options:	Programmable passage start and end times with automatic re-lock

Mechanical Features

Locking Device Options:	E-Plex 5900 —Cylindrical, American Standard Mortise (Door ajar option n/a on this model), Rim Exit Device (Door ajar option n/a on this model)
Construction:	Solid cast housings
Handing:	E-Plex 5900 —Non-handed, pre-assembled for left-hand door installation—easily changed in field
Numeric Keypad:	Vandal resistant, solid metal pushbuttons

Installation

Ease of Installation:	E-Plex 5900 —Patented LectroBolt™ eliminates wiring to or through the door—reducing risk of lock failure due to pinched wires during installation E-Plex 5970 —Simple, easy to install reader unit is predrilled for single gang box or wall mounting. Lockable interface controller unit enclosure is predrilled and has knockouts for simple wiring with low voltage connections directly into off-the-shelf power interface units. Product also includes a contact closure, alarm shunt output to interface with new or existing fire alarms and security systems
Items Supplied Include:	Installation manual, quick reference guide, operations manual, full-scale template, and required installation hardware

Electronic Features

Vandal Resistance:	E-Plex 5970 —Exclusive tamper-switch circuitry in reader housing prevents unauthorized access if unit is attacked or removed from mounting plate. If tamper is detected, the reader unit emits constant bright blue lights and all internal wires other than power are passive until unit is reset. Once reader unit is later reinstalled and/or remotely reset, PIN access is restored
Indicators:	Audible and visual indicators; visual tamper indicator

Environmental

Operating Range:	-31° F (-35° C) to 151° F (66° C)
------------------	-----------------------------------

Certification

Certifications:	E-Plex 5900 —Fire Rating: -hour, UL/ULC fire door rating Lock Grade: ANAI/BHMA Grade 1 Certified Accessibility Standard: Americans with Disabilities Act (ADA)
-----------------	---

Warranty

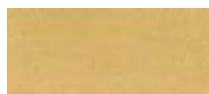
Warranty:	3-year warranty from date of installation; built-in warranty counter in memory
-----------	--

Available Finishes

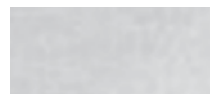
Standard Finishes:	Satin Chrome 626 (26D) housings, Black (676) housings with Satin Chrome (626) Buttons
Optional Finishes:	Satin Brass 606 (04), Dark Bronze with Brass Buttons (744), Bright Brass (03) 605, and Bright Chrome (206) 625



Bright Brass



Satin Brass



Bright Chrome



Satin Chrome



Black



Dark Bronze

Disclaimer: While reasonable efforts were made to ensure the accuracy of this document at the time of printing, Kaba assumes no liability for any errors or omissions. This information is subject to be revised without notice, and changes may be incorporated in future releases.

KAA1175 0808