

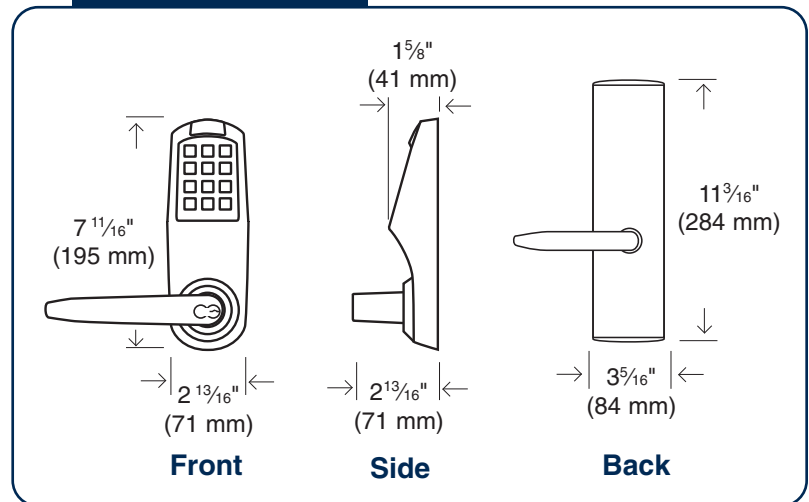
4000 SERIES

Electronic Access Control Systems

Specification Sheet
Access Control at the touch of a button



Dimensions



Application

4000 Series locks quickly replace any traditional key operated door lock, providing access with a numerical keypad. Each user or group of users is assigned a 3 to 6 digit code that provides secure access to all rooms they are authorized to enter.

The 4000 is ideal for large office facilities, factories, labs, campuses, or institutions.

Features

Number of users: 54 unique codes

Combination codes: 3 to 6 digits per code

Programming: Using the lock keypad

Feedback: "Dual sensory" audible and visible indicators

Security levels: 1 master, 6 managers and 54 users, with 1 service code controlled by both managers and master

Tamper lockout: Timed after 4 invalid entry attempts. Programmable duration from 30 sec. to 15 min.

Emergency access: Mechanical key override

Passage mode: Set by master or manager level

Unlock time: Adjustable from 1 to 20 seconds by master level

Buzzer volume: Adjustable off/soft/loud by master level

Lock Specifications

Mechanical

Description: Heavy duty electronic lockset, cylindrical or mortise, with clutch mechanism; activated by numeric combination code

Handing: Left or right factory handed

Numeric keypad: Vandal resistant, 12-button, metal keys

Weight: 8 lbs. (3.6 kg)

Standard finishes: Satin Chrome (626)

Optional finishes: Bright Brass (605), Bright Chrome (625), Duranodic (695), Satin Brass (606)

Electrical

Batteries: 4 x AA (alkaline type only)

Battery life: Up to 100,000 openings or 4 years

Low battery: Visible indicator

Installation

Door preparation: Both drawing and drilling templates provided

Lever type: Full return lever or, in the case of door moldings, a short return lever

Mechanical key override: In handle; removable core type; key in lever type (C type keyway)

Compatible removable cores: Ilco 7 pin, ASSA 6 pin, Best 5,6,7 pin, Medeco 5,6 pin, Schlage 6 pin, Yale 6, 7 pin

Door thickness: From 1 $\frac{1}{8}$ " to 2 $\frac{1}{2}$ " (35 mm to 64 mm) Backset: 2 $\frac{3}{4}$ " to 2 $\frac{5}{8}$ " (84 mm to 60 mm)

Certifications and Testing

Accessibility standard: Americans with Disabilities Act (ADA)

Fire rating: Meets UL 10B and ULC S-104 on fire door rated up to and including 3 hours

Environmental Outside Housing: -31°F to 151°F (-35°C to 66°C)

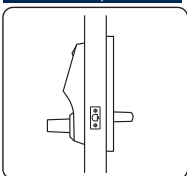
Operating conditions: Inside Housing: 32°F to 120°F (0°C to 49°C)

Electronics: FCC part 15 class A and CE directive 89/336/EEC compliant

Durability: Cylindrical lock meets requirements of ANSI 156.2 Grade 1 for 2 $\frac{3}{4}$ " (84 mm) Backset application

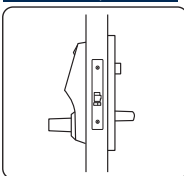
How to Order

Model L4152, R4152



- Cylindrical Drive Lock
- Combination Entry
- Key Override
- Passage Mode
- Lockout Mode

Model L4126, R4126



- Mortise Lock
- Combination Entry
- Key Override
- Passage Mode
- Lockout Mode



1-800-849-8324

www.kaba-ilco.com