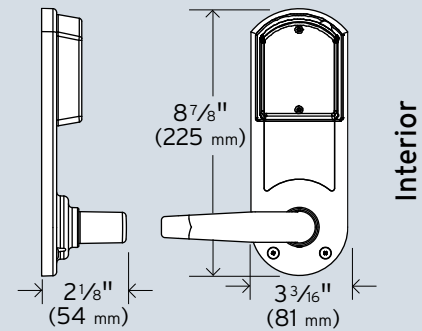
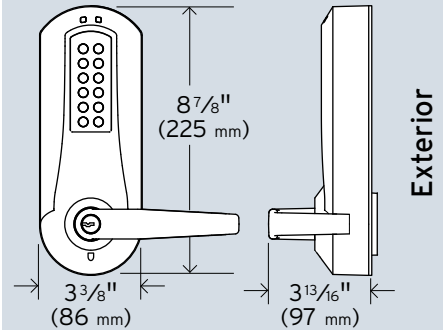


E-Plex[®] 5200 Specifications



E-Plex 5200 Cylindrical

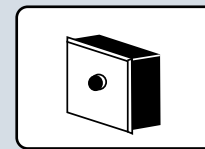
Dimensions



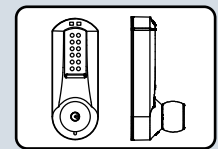
Features

Access Control:	Electronic pushbutton lock - eliminates problems and costs associated with issuing, controlling and collecting keys and cards
Number of Codes:	3,000 access codes per door; over 100 million possible code combinations
Audit Trail:	The most recent 30,000 lock events are recorded in memory including use of the mechanical key override
Programming:	Locks are programmed via E-Plex Advanced Software (not included) - provides easy management of doors and users
Handing:	Non-handed, preassembled for left hand door installations—easily changed in the field
Key Override:	Key-in-lever cylinders, small format interchangeable cores, large format removable cores
Lock Function Customization:	Locks are easily customized on site via keypad to work as various BHMA lock functions eliminating the requirement to stock multiple locks to meet different applications. Built-in options include: Entry, Privacy, and Residence lock, (thumbturn required for Privacy and Residence functions)
Three Operation Modes:	<ul style="list-style-type: none"> • PIN access per Access Schedules • Lockout • Passage—can be toggled on/off or can be preprogrammed to relock after a certain number of hours (from 1 to 24)
Scheduling:	<p>Access Schedules—Up to 16 different access schedules may be programmed into lock</p> <p>Holiday / Vacation—Up to 32 different holiday / vacation blocks may be programmed into lock</p>
Passage Options:	<p>First manager in (or privileged user)</p> <p>Automatically according to access schedules</p> <p>Manually toggled on / off at lock</p>

Optional Features



• Remote Unlock



• Knob

Features (Continued)

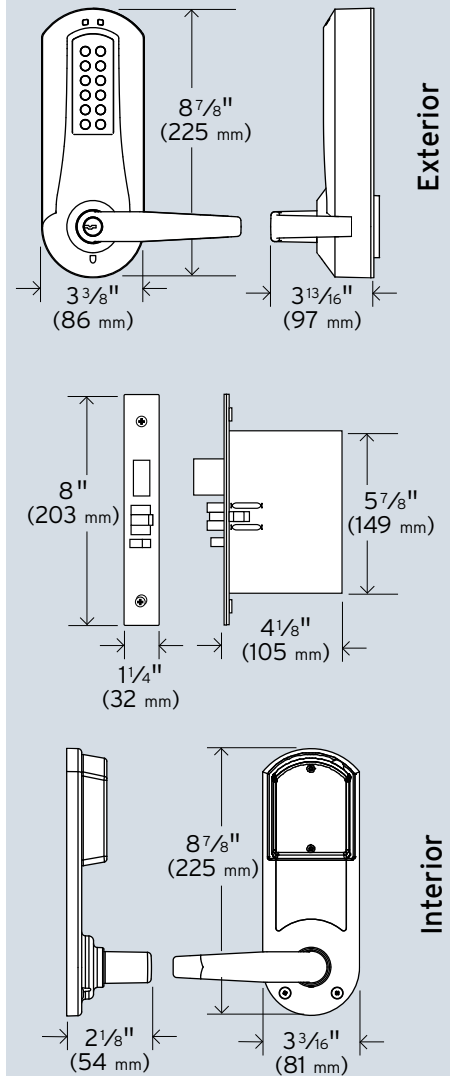
Authority Levels:	Six different levels allow you to control who has access to specific lock functions, includes: Master Level —performs all set-up and programming functions Manager Level —administers common programming functions Access User Level —entry granted with valid PIN Service Level —codes for single event or up to 4-day access, or no expiry option for "super" Service users Guest Level —1-365 day durations Maintenance Level —no access is granted, but can upload/download info to/from the lock
User Parameters:	Code length —Adjustable to accept 4 to 8 digits Anti-tamper lockout —Adjustable from 3 to 9 invalid attempts with an adjustable period of 0 to 90 seconds Relock time —Adjustable from 2 to 20 seconds
Battery Operation:	Batteries located in interior housing cover; offers quick and easy battery replacements; Four AA Alkaline batteries provide up to 120,000 cycles (performance varies based on settings); lock data is maintained if batteries fail
Ease of Installation:	LectroBolt™ (patent pending) eliminates wiring to or through the door—no risk of pinched wires

Mechanical Features

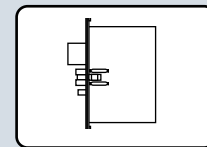
Construction:	Extra heavy-duty cylindrical lockset, solid cast housings, solid cast levers, cylindrical drive wear tested for extensive use in indoor and outdoor applications
Numeric Keypad:	Vandal resistant, solid metal pushbuttons
Door Handing:	E-Plex 5200 Cylindrical and E-Plex 5200 Mortise Non-handed, preassembled for left-hand door installations easily changed in the field E-Plex 5200 Exit Trim —Non-handed
Backsets:	E-Plex 5200 Cylindrical —2 ¾" (70 mm), 2 ⅝" (60 mm) E-Plex 5200 Mortise —2 ¾" (70 mm) E-Plex 5200 Exit Trim —Varies by exit device type
Latch:	E-Plex 5200 Cylindrical —½" (13 mm) latch, ¾" (19 mm) latch (optional) with 3 hour UL/ULC fire rating E-Plex 5200 Mortise —¾" (19 mm) latch, 1" (25 mm) deadbolt (optional)
Minimum Stile	5" (127 mm)
Recommended:	
Weight:	E-Plex 5200 Cylindrical —8 lbs. (3.63 kg) E-Plex 5200 Mortise —8 lbs. (3.63 kg) E-Plex 5200 Exit Trim —10 lbs. (4.54 kg)

E-Plex 5200 Mortise

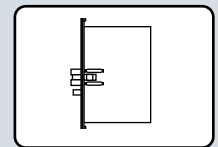
Dimensions



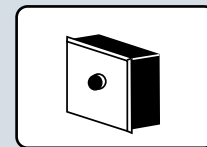
Optional Features



• Deadbolt



• Without Deadbolt



• Remote Unlock

Key Override

Universal Key-In-Lever Cylinders: Includes Kaba 1599 6-pin cylinder (prepped to Kaba 90 or Schlage C keyway, keyed different) and tailpieces for compatibility with:

Abloy 5277	Kaba Gemini 4730
Abloy 5477	Kaba Gemini 4730
Arrow C100	Marks
ASSA 65611	Medeco 20W200H1
ASSA65691	Sargent 10 Line
Corbin Russwin 2000-03	Schlage 23-001
Kaba 1539	Schlage Primus 20-760
Kaba1599	

Australian: Kaba expert 107K5, Boyd KC286

European: Quattro S/Expert, AP2 (5 and 6-pin)

Interchangeable Cores: Small format Best and equivalents (6 or 7-pin length)

Removable Cores: Large format ASSA, Medeco, Yale (5 or 6-pin), Corbin Russwin, Schlage, and Sargent

Installation

Ease of Installation: LectroBolt™ (patent pending) eliminates wiring to or through the door—no risk of pinched wires

Door Preparation: **E-Plex 5200 Cylindrical and E-Plex 5200 Exit Trim** ASA 161 door preparation—easily installs with two additional through bore holes (**wood or metal doors**)
E-Plex 5200 Mortise—ASA 86 door preparation with two additional through bore holes

Door Thickness: **E-Plex 5200 Cylindrical**—1 ³/₈" (35 mm) to 2 ¹/₄" (57 mm) Preassembled to accommodate doors 1 ⁵/₈" (41 mm) to 2" (50 mm)
E-Plex 5200 Mortise—1 ³/₄" (44 mm) to 2 ¹/₄" (57 mm) Preassembled to accommodate doors 1 ⁵/₈" (41 mm) to 2" (50 mm)
E-Plex 5200 Exit Trim—1 ³/₄" (44 mm) to 2 ¹/₄" (57 mm) Preassembled to accommodate doors 1 ³/₄" (44 mm) to 2 ¹/₈" (54 mm)

Items Supplied With Include: **E-Plex 5200 Cylindrical and E-Plex 5200 Mortise** Lock assembly, installation manual, template, quick reference guide, operations manual, and required hardware

E-Plex 5200 Exit Trim—Lock assembly, installation manual, template, quick reference guide, operations manual, and required hardware.

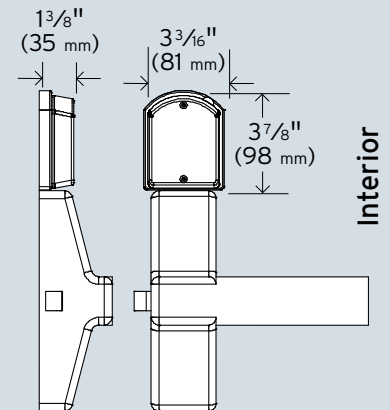
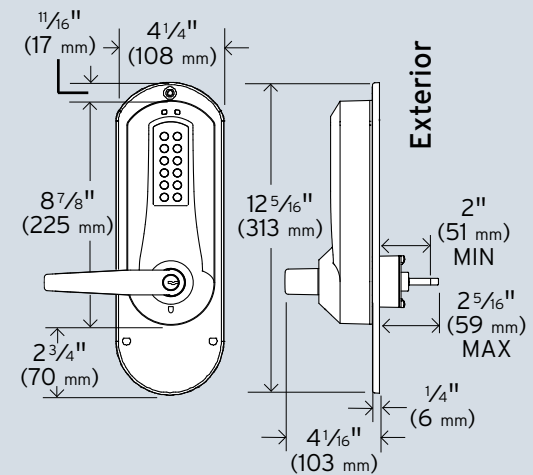
Exit Device and mounting hardware not included

Additional Items Supplied with Key-in-Lever Cylinder Model Only: **E-Plex 5200 Cylindrical and E-Plex 5200 Mortise** Universal Kaba 1599 6-pin cylinder with tailpiece, four additional tailpieces, and two nickel silver keys

E-Plex 5200 Exit Trim—Universal Kaba 1599 6-pin cylinder with tailpiece, four additional tailpieces, nickel silver keys, and spare cylinder retainer

E-Plex 5200 Exit Trim

Dimensions



Exit Device Compatibility

Arrow S1250	Sargent 2828
Arrow S3800	Sargent 3828
Corbin Russwin 5200 / 5200A	Sargent 8800
Detex 10 / F10	Sargent 8888
Dorma 9300 / 9300F	Von Duprin 22 / 22F
Monarch 18R / F-18R	Von Duprin 98 / 98F
Precision 21 / FL 21	Von Duprin 99 / 99F
	Yale 7100

Certification and Testing

Accessibility Americans with Disabilities Act (ADA)

Standard:

Durability: **E-Plex 5200 Cylindrical**-ANSI/BHMA A156.25, Grade 1 Certification

E-Plex 5200 Mortise-ANSI/BHMA A156.13, Grade 1 Certification

E-Plex 5200 Exit Trim-ANSI/BHMA A156.3, Grade 1 Certification

Fire Rating: Three-hour UL/ULC fire door rating for "A" labeled doors

Environmental: Indoor/Outdoor Approved

Front Housing: -31° F (-35° C) to + 151° F (66° C)

Rear Housing: -31° F (-35° C) to + 130° F (55° C)

Warranty

Warranty: Three-year warranty from date of installation; built-in warranty counter in lock memory

Available Finishes

Standard Finishes: Satin Chrome 26D (626) housings & levers

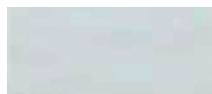
Black (676) housings with Satin Chrome (626) levers and accents

Optional Finishes: Bright Brass 03 (605) housings and levers

Satin Brass 04 (606) housings and levers

Bright Chrome 026 (625) housings and levers

Dark Bronze (744-Simulates 10B/613) housings and levers with Satin Brass (606) pushbuttons



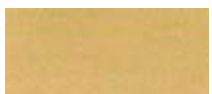
Satin Chrome



Black



Bright Brass



Satin Brass



Bright Chrome



Dark Bronze

Disclaimer: While reasonable efforts were made to ensure the accuracy of this document at the time of printing, Kaba assumes no liability for any errors or omissions. This information is subject to be revised without notice, and changes may be incorporated in future releases.

KAA1058 0209