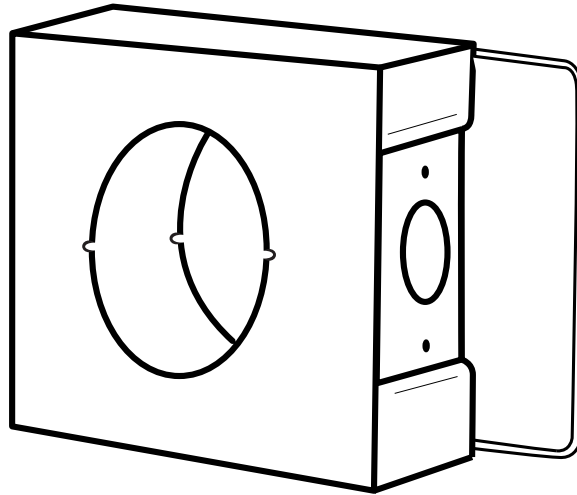




"IDEAS THAT WORK"



K-BXSGL234

Part#	Backset	Hole Size	Material	Height	Length	Width	Notes
K-BXSGL	2 3/8"	2 1/8"	14 Gauge Steel	3 1/2"	4 1/2"	1 5/8"	
K-BXSGL234	2 3/4"	2 1/8"	14 Gauge Steel	3 1/2"	4 3/4"	1 5/8"	
K-BXSGL234-112	2 3/4"	1 1/2"	14 Gauge Steel	3 1/2"	4 3/4"	1 5/8"	
K-BXSGL234-NH	None	None	14 Gauge Steel	3 1/2"	4 3/4"	1 5/8"	Latch Prep Only
K-BXSGL234-AL	2 3/4"	2 1/8"	.125 Gauge Aluminum	3 1/2"	4 3/4"	1 5/8"	
K-BXSGL234-SS	2 3/4"	2 1/8"	16 Ga. Stainless Steel	3 1/2"	4 3/4"	1 5/8"	
K-BXSGL500	5"	2 1/8"	14 Gauge Steel	3 1/2"	7"	1 5/8"	
K-BXSGL234-2W	2 3/4"	2 1/8"	14 Gauge Steel	3 1/2"	4 3/4"	2"	
K-BXSGL234-AL-2	2 3/4"	2 1/8"	.125 Gauge Aluminum	3 1/2"	4 3/4"	2"	
K-BXSGL234-925	2 3/4"	2 1/8"	14 Gauge Steel	9 1/4"	5 1/2"	1 3/4"	No Stop
K-BXSGL-S	2 3/8"	2 1/8"	14 Gauge Steel	3 1/2"	4 1/4"	1 1/4"	
K-BXSGL-ES	2 3/8"	2 1/8"	14 Gauge Steel	4 7/16"	4 1/2"	1"	

Keedex, Inc • 510 Cameron Street • Placentia, CA 92870-6425
 714-993-4300 • Fax: 714-993-4303
 e-mail: bestlock@aol.com • www.keedex.com