

## LOCAL DOOR ALARMS

2-Gang plate with key switch and emergency door release button

**Model No. LDA 9605/9615**

### OVERVIEW

This application uses a Local Door Alarm prewired to a 1 1/2" latching red button to provide an emergency door release function for a fail safe lock.

### FEATURES

- **Access and Secure LED's**
- **Double Gang Box Mounting**
- **Emergency Door Release Button**
- **Onboard Key Switch**
- **Other Colors Available**



### OPERATION

Pressing the button releases lock power and turns the alarm on. The alarm will remain latched on until reset by the key switch, or by the optional alarm automatic reset time delay.

During alarm, the N/C alarm relay opens and the sounder is turned on.

Pulling the button out resets the latching button. Resetting the button will re-apply power to the lock, but will not reset the alarm.

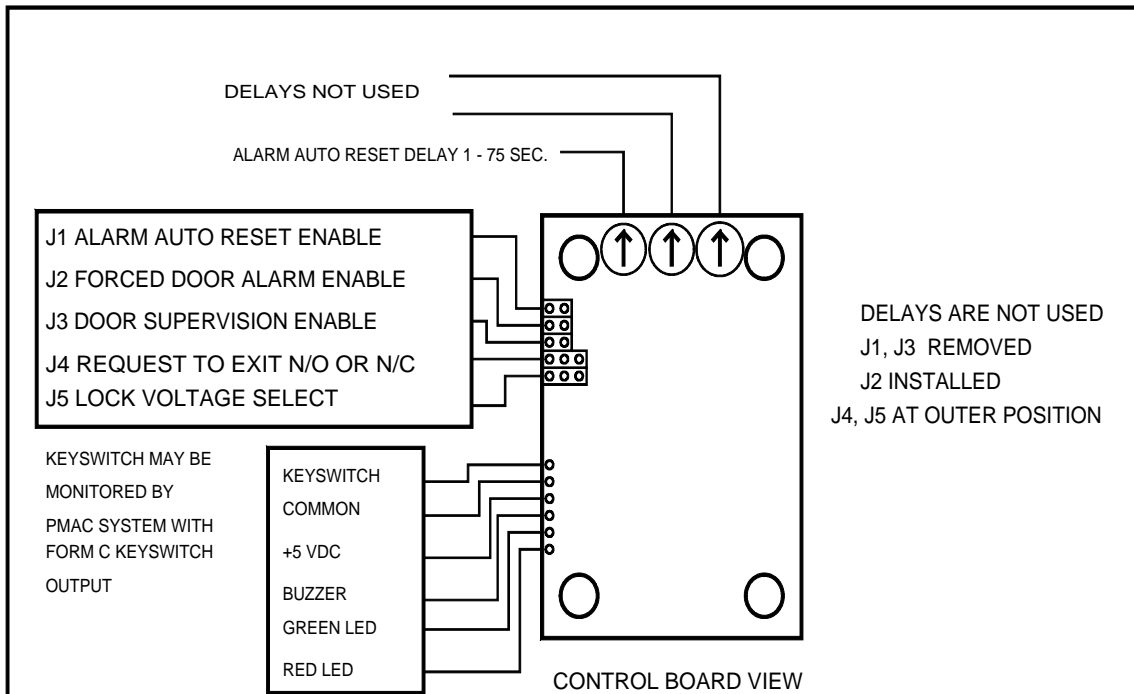
### TECHNICAL SPECIFICATIONS

**Power** 12 - 24 VAC / VDC @ 250 ma.

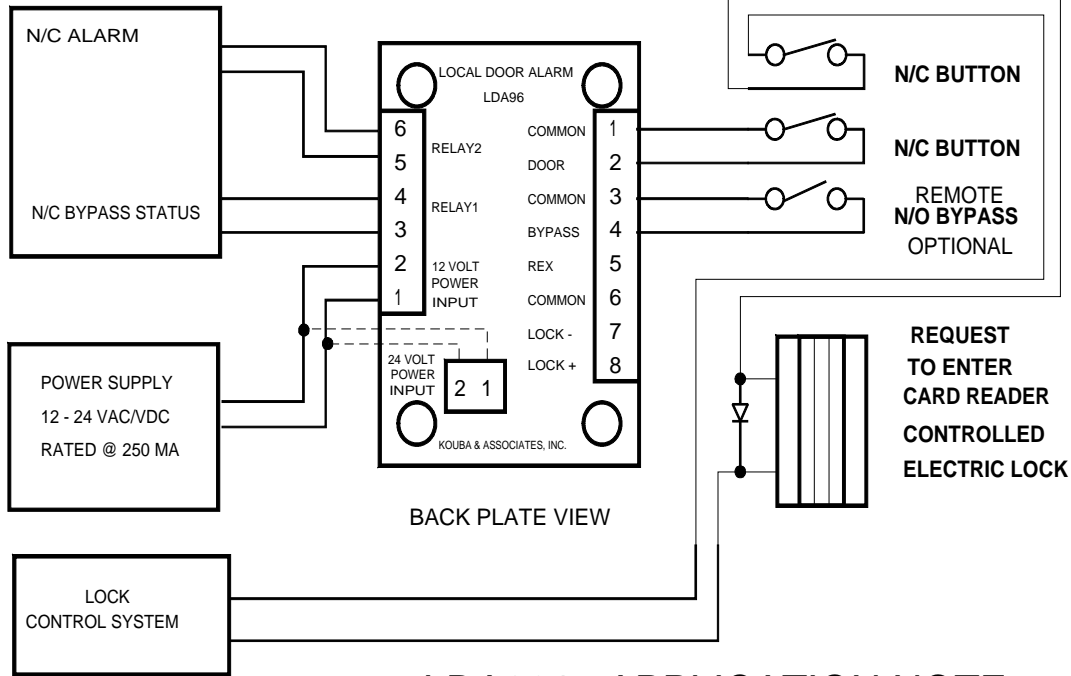
**Inputs** Pre-wired latching N/C button contact  
Pre-wired 2 position reset / bypass key switch  
Optional normally open remote reset / bypass contact

**Outputs** Latching N/C lock control contact on button, rated @ 10 A  
Latching N/C alarm status relay, rated @ 1/2 A  
SPDT key switch status contact on key switch, rated @ 1/2 A  
Sounder rated at 85dB (9605) or 95dB (9615)  
Red LED indicates armed status  
Green LED indicates bypass status

**Mounting** 2 Gang, 2-1/2 inch deep electrical box



ALARM MONITORING SYSTEM



LDA9615 APPLICATION NOTE