

Product Name
ClearPath™ CP/RX
Multi-Mode Receiver

Manufacturer
MS SEDCO
8701 Castle Park Drive
Indianapolis, IN 46256
Phone: (800) 842-2545
(317) 842-2545
Fax: (800) 849-3387
(317) 849-3387
Email: custsvc@mssedco.com
www.mssedco.com

Product Description
BASIC USE

The CP/RX receiver is part of the ClearPath Radio Control Push Plate Switch Activation System that provides the most reliable wireless activation of automatic doors available. All ClearPath transmitters communicate with this one receiver.

In addition to being a receiver, the CP/RX can be easily programmed to become a timer, dual receiver or a sequencing receiver.

The CP/RX accepts three different frequencies. If interference is encountered on one frequency, simply switch to one of the other frequencies to solve the problem. The CP/RX can also be used

interchangeably with other manufacturer's products that operate on its frequencies. Only ClearPath offers this flexibility.

Technical Data

- Utilizes Proprietary High Definition Radio Control™ (HDCR™) For Unsurpassed Signal Transmission Clarity.
- Three User Selectable Frequencies Available in Single Unit: HDCR™, 300 MHz, 390 MHz
- FCC License For All Three Frequencies
- 5 Programming Modes:
Mode 1: Standard Receiver (factory setting)
Mode 2: Receiver With Adjustable Time Delay
Mode 3:* Dual Channel Receiver
Mode 4:* Receiver With Sequenced Outputs
*Mode 5**:* Receiver With Ratchet Relay



**Modes 3 & 4 Require The RXM Add-On Module. This Module Plugs Directly Onto The CP/RX Main Circuit Board And Provides A Second Output.*

***Mode 5 Requires The RXR Add-On Module. The Module Plugs Directly Onto The CP/RX Main Circuit Board and Allows For Initial Signal To Hold Relay Closed Until A Second Signal Is Received.*

- N.O. And N.C. Contacts
- Pluggable Wire Harness
- Internal Surge Protection Wires Directly To Electric Locking Devices

- Output Contact: Form C, Rated At 3 Amps
- Power Requirements: 12V To 24V AC or DC
- Relay Contact Rating: 3 amp @ 24V AC
- Compact Size: 4"L x 2"W x 1"H
- Temperature Range: -4 °F to 140 °F (-20 °C to 60 °C)

DIMENSIONS
See Reverse

APPLICABLE STANDARDS
American National Standards Institute (ANSI) - Building Hardware Manufacturers Association (BHMA) - ANSI/BHMA A156.10 & A156.19.

APPROVALS
FCC

Availability & Cost
AVAILABILITY

Available internationally from manufacturer's authorized distributors; contact MS SEDCO for the location of nearest distributor.

COST
Cost information on MS SEDCO products is available from the manufacturer's authorized distributors.

ClearPath™ CP/RX Multi-Mode Receiver



SENSORS & SWITCHES

Warranty

A one year warranty is available from the manufacturer covering defects in materials and workmanship. Contact MS SEDCO for details.

Maintenance

MS SEDCO recommends that all maintenance and adjustments be performed by an AAADM Certified Technician.

Technical Services

MS SEDCO's staff of factory trained sales and service personnel offer design assistance and technical support. Local distributors are also available to assist in selecting appropriate devices for specific uses and to provide onsite installation.

CP/RX RECEIVER DIAGRAMS

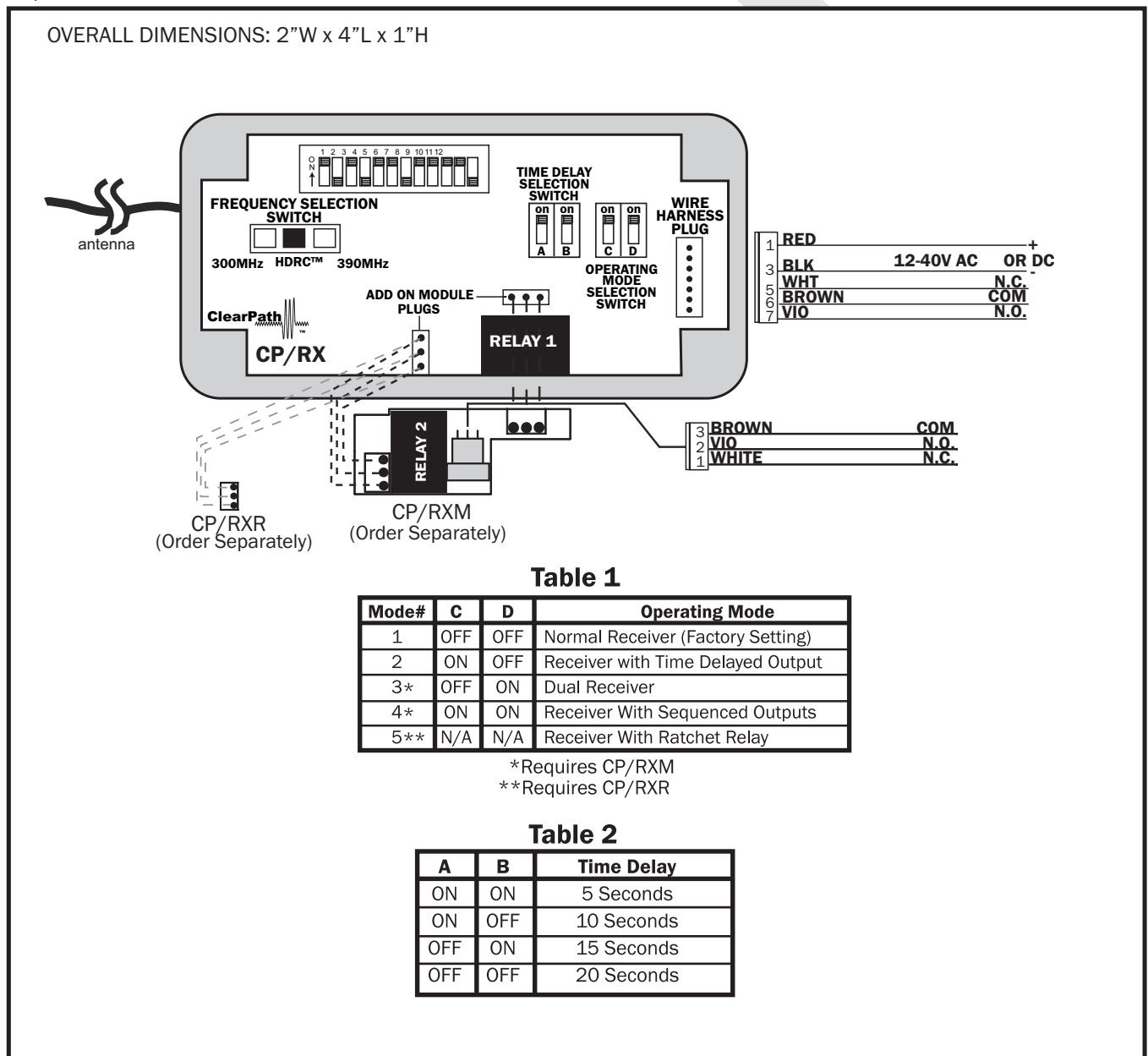


Table 1

Mode#	C	D	Operating Mode
1	OFF	OFF	Normal Receiver (Factory Setting)
2	ON	OFF	Receiver with Time Delayed Output
3*	OFF	ON	Dual Receiver
4*	ON	ON	Receiver With Sequenced Outputs
5**	N/A	N/A	Receiver With Ratchet Relay

*Requires CP/RXM
**Requires CP/RXR

Table 2

A	B	Time Delay
ON	ON	5 Seconds
ON	OFF	10 Seconds
OFF	ON	15 Seconds
OFF	OFF	20 Seconds