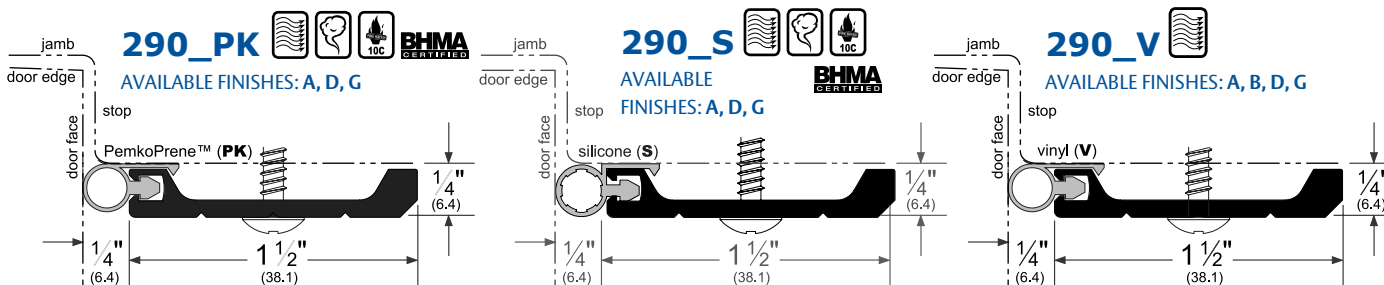
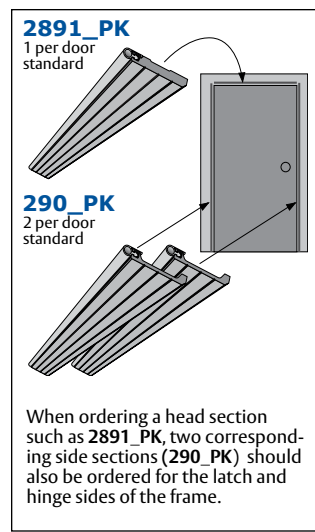
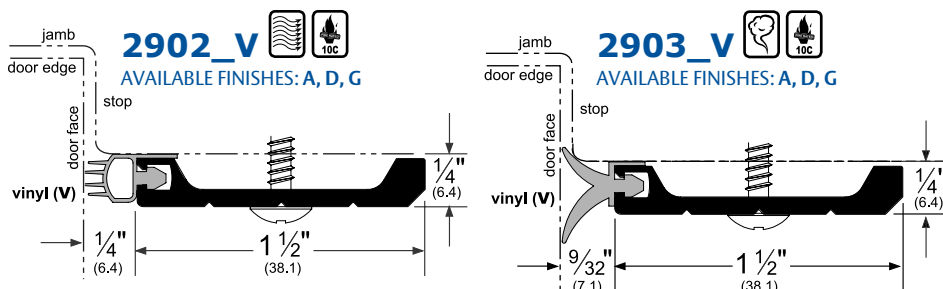


Heavy Duty Perimeter Gasketing - Standard Jamb

- We have expanded our offering of heavy-duty rigid jamb weatherstripping. The 290_PK, 290_S, 290_V, 2902_V and 2903_V (standard jamb application gasketing) shown in the drawings below are shown in a standard mounting application for the side sections of the jamb.
- All gasketing shown below is sold individually.

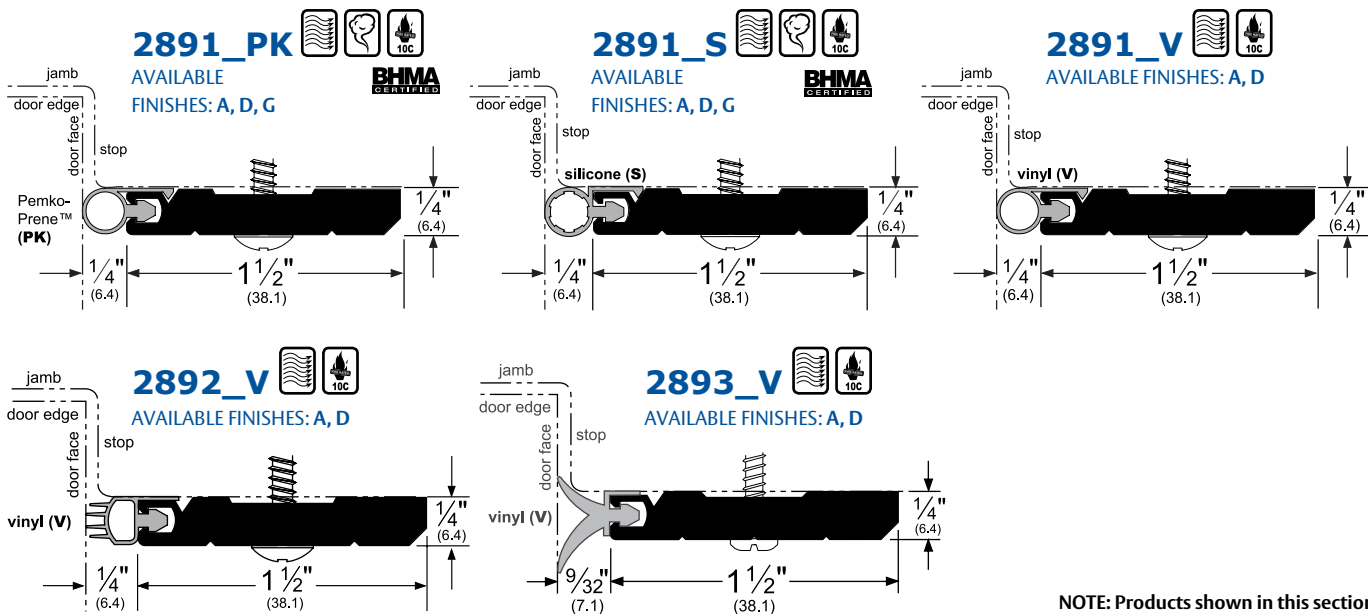


Brass only available with black vinyl insert.



Heavy Duty Perimeter Gasketing - Head Section

- The 2891_PK, 2891_S, 2891_V, 2892_V and 2893_V (heavy duty head section application gasketing) shown below have been added for the head section of the frame where a parallel arm closer bracket or other hardware is required. This head member will be supplied undrilled (36°) or drilled (80° and above) and supplied with sheet metal screws for mounting. If used as a stop, flat head machine screws can be provided upon request and take a countersunk 10 hole. Pemko will drill the head member only if drilling instructions for countersink holes are provided. The aluminum retainer is the same for all of these products with five different sealing options.
- All gasketing shown below is sold individually.



NOTE: Products shown in this section may not be drawn to scale.

▲ AVAILABLE FINISHES FOR PRODUCTS SHOWN ON THIS PAGE (see General Information section for finish chart)

A (Mill Finish Aluminum) • B (Mill Finish Extruded Bronze [Brass]) • D (Dark Bronze Anodized) • G (Gold Anodized)
Special finishes available upon request

PERIMETER GASKETING