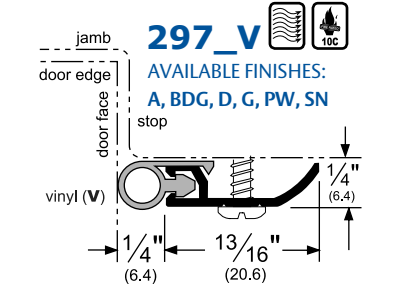
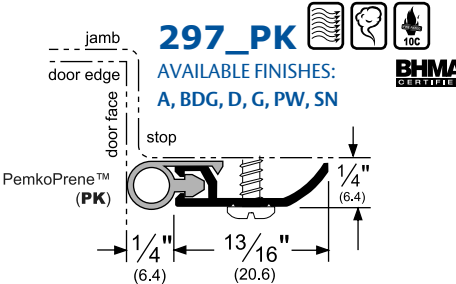
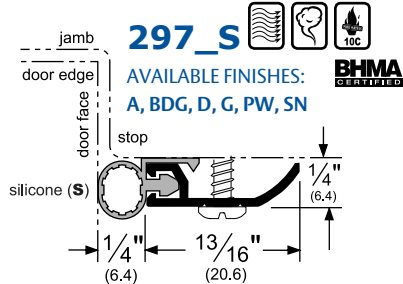
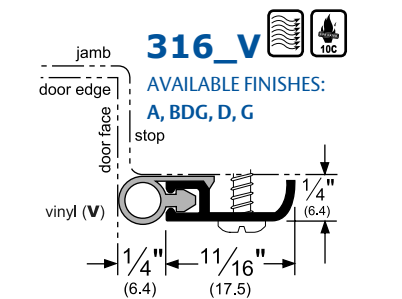
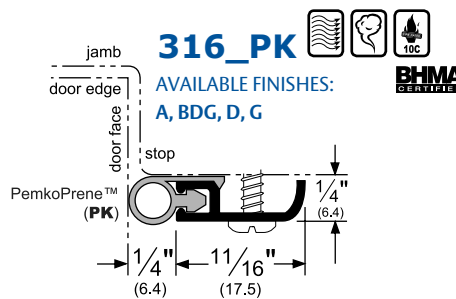
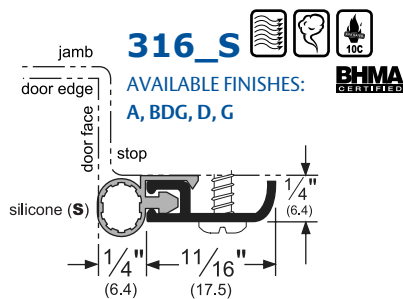
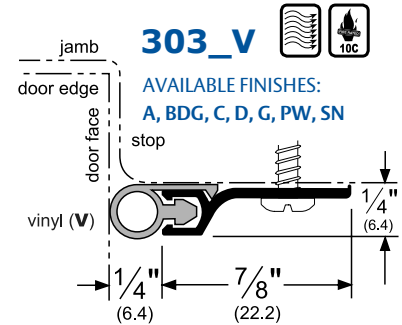
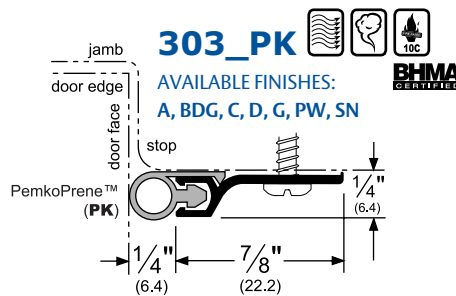
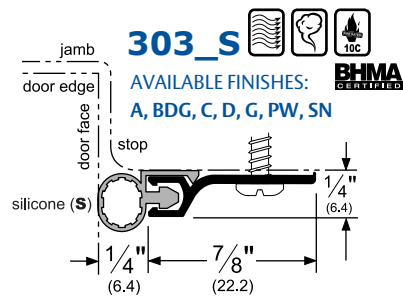


# PERIMETER GASKETING

## Standard Perimeter Gasketing

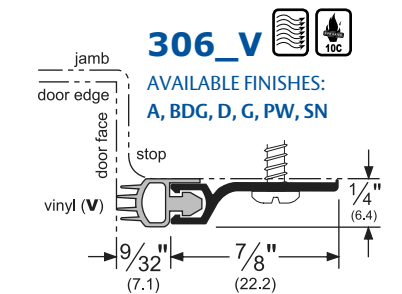
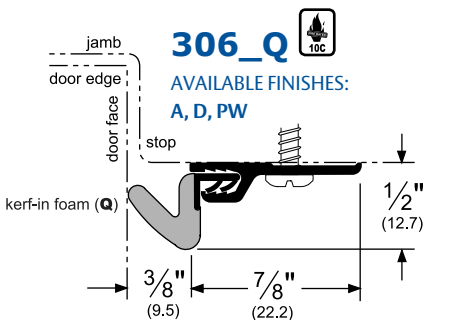
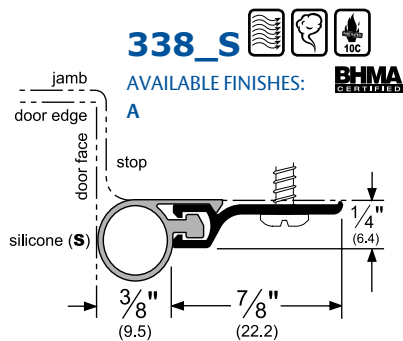
- Rigid jamb weatherstrip shown mounted on openings with 1/16" gaps; however, each weatherstrip can seal gaps up to the depth of its seal. Seal depth provided on each illustration (example: the 303 has a 1/4" seal; therefore, it can seal up to a 1/4" gap).
- Punched on 6" centers with slotted holes for adjustment.
- Stainless steel fasteners are standard.
- Other fasteners are available.
- Models 294 and 303 are available with self-adhesive two-sided tape (TST) and tek screws (3 slotted holes per part) for easy installation. To obtain this option, add "TST" to the end of the part when ordering (example: 303AVTST).



Satin Nickel finished product supplied with BLACK insert. GRAY available upon request.

Satin Nickel finished product supplied with BLACK insert. GRAY available upon request.

Satin Nickel finished product supplied with BLACK insert. GRAY available upon request.



Minimum space between the door face and the stop is 3/16"; maximum space is 5/16".

NOTE: Products shown in this section may not be drawn to scale.

▲ **AVAILABLE FINISHES FOR PRODUCTS SHOWN ON THIS PAGE** (see General Information section for finish chart)

A (Mill Finish Aluminum) • BDG (Bright Dip Gold Anodized) • D (Dark Bronze Anodized) • G (Gold Anodized) • PW (Painted White) • SN (Satin Nickel Anodized)