



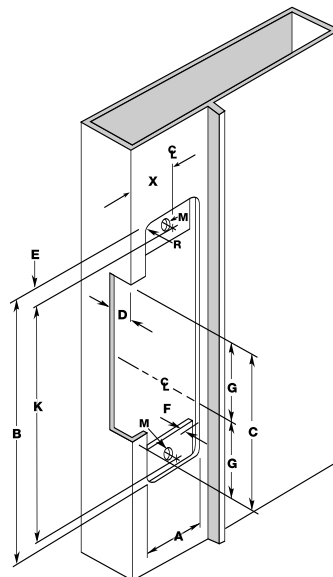
In or Out... we make it Easy!®

Instructions

- Determine the vertical centerline of the door lock face and the horizontal centerline of the latch.
IMPORTANT: When determining the horizontal centerline observe the following:
FOR MORTISE LOCKS: Align the angled ramps of the lip bracket with the deadlock trigger of the mortise latch.
FOR CYLINDRICAL LOCKS: Align the center of the latch with the center of the strike opening.**
- Transfer both the horizontal and vertical centerlines to the doorframe.**
- Prepare the doorframe for cutting as per the appropriate drawing.
- If required, install "no weld" mounting brackets as per the instructions included with the mounting brackets in the hardware pack.
- Attach the strike insert (coil unit or "motor") to the lip bracket with the screws provided.
- Attach the strike faceplate to the lip bracket with the screws provided. (It may be desirable to leave these screws slightly loose to facilitate insertion into the doorframe.
- Connect the incoming wiring from the power supply to the terminal screws on the strike insert. RCI door strikes are not polarity sensitive although be certain to observe proper polarity if a suppression diode is required for access control applications.
- Install the door strike in the doorframe using the screws provided.

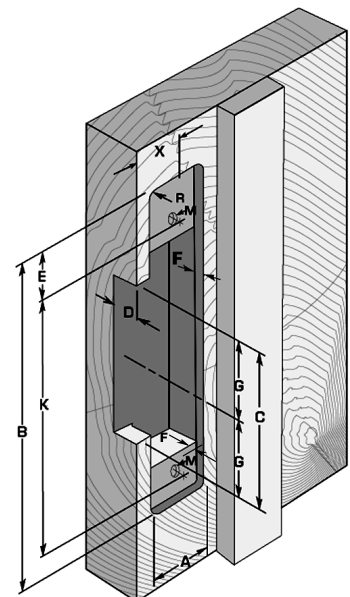
7104, 7304 Aluminum & Wood Frames, 1-1/2" D
4104, 4304 Aluminum Frames, 1-1/2" D
 Any modular **A41, A43, A71** or **A73**
 with **B4704** faceplate

MEASUREMENT	FRACTIONAL INCHES	DECIMAL INCHES	METRIC mm
A	1-1/4	1.250	31.75
B	4-7/8	4.875	123.83
C	3-3/8	3.375	85.73
D	7/8	.875	22.23
E	3/8	.375	9.53
F	1/8*	.125*	3.18*
G	1-11/16	1.688	42.86
X	Vertical Centerline of Door**		
R	5/32	.156	3.97
K	4-1/8	4.125	104.78
M	12-24†	—	—



7105, 7305 Aluminum & Wood Frames, 1-1/2" D
4105, 4305 Aluminum & Wood Frames, 1-1/2" D
 Any modular **A41, A43, A71** or **A73**
 with **B4705** faceplate

MEASUREMENT	FRACTIONAL INCHES	DECIMAL INCHES	METRIC mm
A	1-1/8	1.125	28.58
B	5-7/8	5.875	149.23
C	3-3/8	3.375	85.73
D	7/8	.875	22.23
E	1/4	.250	6.35
F	1/8*	.125*	3.18*
G	1-11/16	1.687	42.86
X	Vertical Centerline of Door**		
R	5/32	.156	3.97
K	5-3/8	5.375	136.53
M	12-24†	—	—



NOTE: Specifications subject to change without notice.

* **Dimension F** is measured from face of mounting tab to face of frame and equates to the thickness of the frame material.

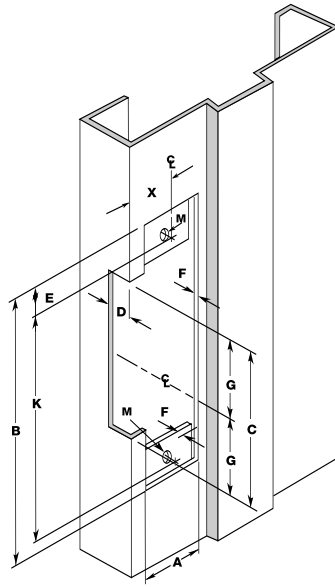
** **Dimension X** on the drawing is determined by the vertical centerline of the door. If the latch incorporates a deadlocking pin additional steps will be necessary to ensure proper operation of the deadlocking pin. Measure the thickness of the deadlocking pin and add this thickness to Dimension X to relocate the vertical centerline an appropriate distance on the frame.

† For wood frame door installations, substitute #12 wood screws for dimension M.

4 & 7 Series Installation Instructions (Continued)

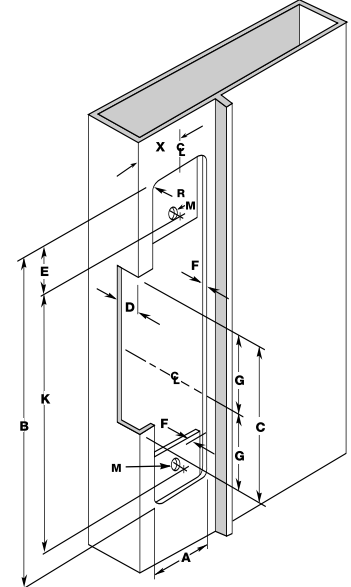
7114, 7314 Steel & Wood Frames, 1-1/2" D
4114, 4314 Steel Frames, 1-1/2" D
 Any modular **A41, A43, A71** or **A73** with **B4714** faceplate

MEASUREMENT	FRACTIONAL INCHES	DECIMAL INCHES	METRIC mm
A	1-1/4	1.250	31.75
B	4-7/8	4.875	123.83
C	3-3/8	3.375	85.73
D	7/8	.875	22.23
E	3/8	.375	9.53
F	1/8*	.125*	3.18*
G	1-11/16	1.687	42.86
X	Vertical Centerline of Door**		
K	4-1/8	4.125	104.78
M	12-24†	—	—



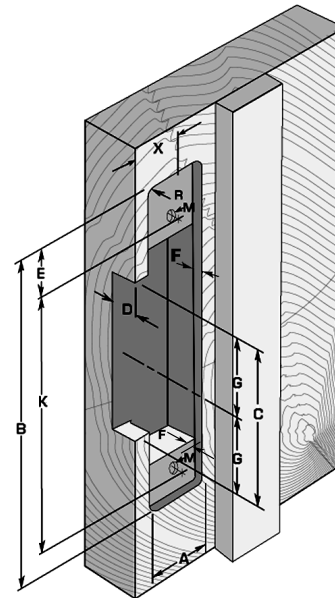
7107, 7307 Aluminum & Wood Frames, 1-1/2" D
4107, 4307 Aluminum Frames, 1-1/2" D
 Any modular **A41, A43, A71** or **A73** with **B4707** faceplate

MEASUREMENT	FRACTIONAL INCHES	DECIMAL INCHES	METRIC mm
A	1-1/4	1.250	31.75
B	6-7/8	6.875	174.63
C	3-3/8	3.375	85.73
D	7/8	.875	22.23
E	1-3/8	1.375	34.93
F	1/8*	.125*	3.18*
G	1-11/16	1.687	42.86
X	Vertical Centerline of Door**		
R	5/32	.156	3.97
K	4-1/8	4.125	104.78
M	12-24†	—	—



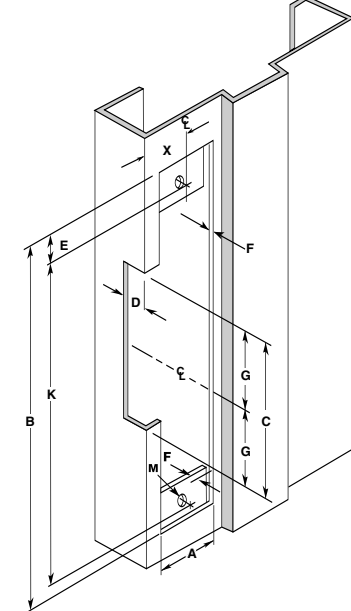
7108, 7308 Aluminum & Wood Frames, 1-1/2" D
4108, 4308 Aluminum & Wood Frames, 1-1/2" D
 Any modular **A41, A43, A71** or **A73** with **B4708** faceplate

MEASUREMENT	FRACTIONAL INCHES	DECIMAL INCHES	METRIC mm
A	1-7/16	1.438	36.51
B	7-15/16	7.938	201.61
C	3-3/8	3.375	85.73
D	7/8	.875	22.23
E	1/4	.250	6.35
F	1/8*	.125*	3.18*
G	1-11/16	1.687	42.86
X	Vertical Centerline of Door**		
R	5/32	.156	3.97
K	7-7/16	7.438	188.91
M	12-24†	—	—



7119, 7319 Steel & Wood Frames, 1-1/2" D
4119, 4319 Steel & Wood Frames, 1-1/2" D
 Not available in modular program

MEASUREMENT	FRACTIONAL INCHES	DECIMAL INCHES	METRIC mm
A	1-3/8	1.375	34.93
B	9	9.0	228.60
C	3-3/4	3.75	95.25
D	1-1/2	1.50	38.10
E	5/16	.312	7.94
F	1/8*	.125*	3.18*
G	1-7/8	1.875	47.63
X	Vertical Centerline of Door**		
K	8-3/8	8.375	212.73
M	12-24†	—	—



NOTE: Specifications subject to change without notice.

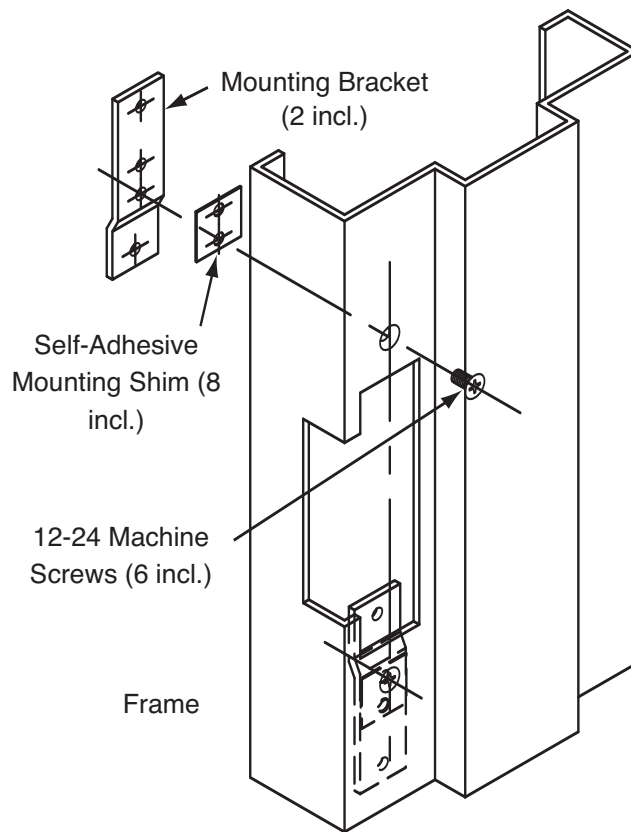
* **Dimension F** is measured from face of mounting tab to face of frame and equates to the thickness of the frame material.

** **Dimension X** on the drawing is determined by the vertical centerline of the door. If the latch incorporates a deadlocking pin additional steps will be necessary to ensure proper operation of the deadlocking pin. Measure the thickness of the deadlocking pin and add this thickness to Dimension X to relocate the vertical centerline an appropriate distance on the frame.

† For wood frame door installations, substitute #12 wood screws for dimension M.

When installing an electric strike on an inactive door of a set of double doors, it can be treated the same as a frame installation in most situations. For more information contact the Technical Service Department.

4 & 7 Series Installation Instructions (Continued)



Mounting Bracket Kit Instructions

Mounting bracket kit is for use with aluminum and steel frames that do not have factory installed mounting tabs for electric strike installation.

1. Prepare the frame as shown in the approximate drawing. Fasten the mounting bracket to the faceplate of the strike, selecting the appropriate shims for the installation.
2. Using the assembled strike and brackets as a template, place against the frame and mark the mounting hole locations. Remove and drill a 3/16" hole in frame for each mounting bracket and countersink the frame.
3. Remove the brackets from the faceplate and install in the frame using the 12-24 x 3/8" machine screws supplied. Tabs are zinc plated and drilled and tapped for this purpose.
4. Make final electrical connections per wiring instructions and mount strike to the brackets with the 12-24 x 3/8" machine screws.

4 & 7 Series Troubleshooting

Problem	Possible Causes	Solution
1. Strike will not lock or unlock properly	No power to the insert	Using a multimeter, confirm that you have the correct output voltage at the power supply. Using a multimeter, confirm that you have the correct input voltage at the strike. Confirm that all connections are tight and secure.
	Incorrect voltage used	Confirm that the insert and power supply are the proper voltage.
	Strike is binding	Confirm that the strike keeper functions when the door is open. If the strike operates correctly, adjust door or strike to eliminate any backpressure. Confirm that the strike cavity depth is compatible with the lock set.
2. Strike releases but won't buzz	Improper power supply	Replace the power supply with a correct voltage AC power supply, and the 12V connector. If this cannot be done, a DC piezo buzzer can be installed.
3. Strike makes a buzzing sound	Improper power supply	Replace the power supply with a correct voltage DC power supply.
	Improper application	A strike connected to an AC power supply will buzz unless a rectifier is installed.
4. Insert has a burnt smell	Improper voltage	Confirm that you have the correct output voltage at the power supply.
	Improper installation	Confirm that the correct connector was used when installing the strike 12V for 12VDC & 12-24VAC, 24V for 24VDC only. Confirm that all connections are tight and secure.
5. Mortise lock not dead latching	Improper Installation	Check alignment of dead latch and lip bracket ramp.
	Door has sagged	Adjust door alignment.
6. Cylindrical deadlatching not working	Improper Installation / Door has warped	Adjust the strike horizontal adjustment. (See Installation Instructions).
7. Door won't latch	Door has warped or sagged creating excessive back pressure	Re-align door in frame or replace.
8. Monitor switch is not functioning	Short in wiring	Confirm that all connections are tight and secure. Using a multimeter confirm continuity of the N/O & N/C sides of the switch.
	Latch or keeper are not functioning properly	Confirm that the keeper is closing properly and that the lever in the strike cavity is operating freely.