

* FOR WIRING SEE NOTE 3

5/32" x 3/8" Slot for 2" x 4" Outlet Box (2 Places)

10-32 Threaded for Wall Cover (2 Places)

2" x 4" x 1-1/2" Outlet Box (By Others)

10-32 x 1-1/2" Flat Head Self-Tapping Screws (2 Places)

Lock Edge of Door

Contact Plate

Pull Side of Door

#12 x 1-1/2" FH Phillips Wood Screw (2 Places)

1/4-20 x 2-1/16" THMS (2 Places)

Notes:

1. Do not scale drawing.
2. Total projection 2-5/8" (Includes electromagnet and armature assembly.)
3. Non-tri voltage magnets have two non-polarized wires to be connected. Tri voltage magnets are connected using a terminal strip on back of magnet. One wire in common and one wire in the appropriate voltage terminal (non-polarized).
4. See step 1 on template DR100260B for outlet box location. Anchor outlet box to withstand a minimum 50 lb. pull. Outlet box shown installed in a vertical position.

5. Door closing mechanism should have a 3 lb. closing force at the degree of door opening where door armature and electromagnet engage.
6. Door hardware must not project more than 2-1/4" on pull side of door.
7. Mounting of outlet box should be reinforced to withstand shock of door opening. Failure to do so will cause box anchors to work loose.
8. All dimensions given in inches.

FM997 Door Release

RIXSON
ASSA ABLOY

www.rixson.com

TEMPLATE NUMBER

DATE

DR100260A

02-09

INSTRUCTIONS:

- To locate junction box use table below.
- Determine door width (Dim. "B"). Measure pivot centerline to wall (Dim. "A"). Find dimension "C" in table.

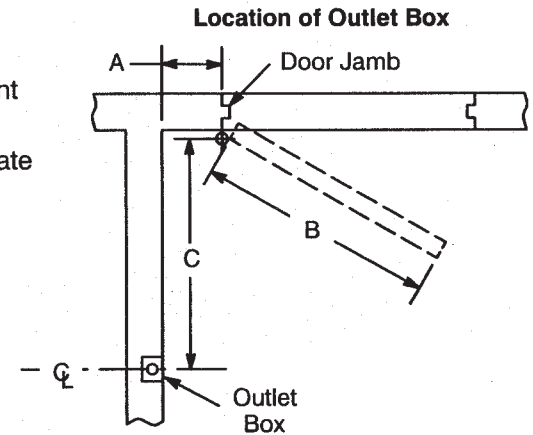
Example: Pivot centerline to wall ("A") = 10"
 Door Width ("B") = 36"
 Junction Box Centerline ("C") = 33"

- If "A" or "B" falls between the numbers listed in table allow for difference.

Example: Pivot centerline to wall ("A") = 7"
 Door Width ("B") = 36"
 Junction Box Centerline ("C") = 33-5/8"

- If dimensions "A" and "B" intersect in shaded area of table **do not install junction box**. The degree of door opening will not permit proper alignment between armature and wall magnet.
- Height to be determined by others. Suggested height is 2'0" to 4'0" from floor and/or not over 6'0".
- Check degree of door opening in table and coordinate with door closers and other door hardware.

"A" – Pivot Centerline to Wall
 "B" – Door Width
 "C" – Pivot Centerline to Junction Box Centerline



Dim. "A"	Door Width "B"																					
	28		30		32		34		36		38		40		42		44		46		48	
	"C"	Deg.	"C"	Deg.	"C"	Deg.	"C"	Deg.	"C"	Deg.	"C"	Deg.	"C"	Deg.	"C"	Deg.	"C"	Deg.	"C"	Deg.	"C"	Deg.
2	26	92°	28	92°	29-7/8	92°	32	93°	34-1/8	93°	36	92°	37-7/8	92°	40	93°	42	93°	43-7/8	92°	45-5/8	92°
4	26	97°	28	96°	29-7/8	96°	32	95°	34-1/8	95°	36	95°	37-7/8	95°	40	95°	42	95°	43-7/8	94°	45-5/8	94°
6	25-5/8	102°	27-5/8	101°	29-5/8	101°	31-3/4	99°	33-3/4	98°	35-3/4	97°	37-3/4	97°	39-7/8	97°	41-7/8	97°	43-3/4	97°	45-1/2	97°
8	25-1/8	106°	27-1/4	105°	29-1/4	104°	31-3/8	103°	33-1/2	102°	35-1/2	101°	37-3/8	101°	39-1/2	101°	41-1/2	101°	43-3/8	100°	45-1/4	99°
10							31	105°	33	106°	35	105°	37	104°	39-1/8	104°	41-1/8	104°	43-1/8	103°	45	102°
12																			42-5/8	105°	44-1/2	104°

All dimensions given in inches.

**FM997 Door Release
 Location Sheet**

RIXSON
 ASSA ABLOY

www.rixson.com

TEMPLATE NUMBER

DATE

DR100260B 02-09