



ROFU[®] HIGH SECURITY ELECTRIC STRIKE MODEL 1440/3440

1440 AND 3440 - SERIES, WITH ANSI FACEPLATE 1¼" x 4⁷/₈"

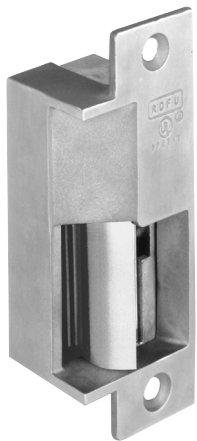
MODEL 1440 — Fail - Secure (Non Fail - Safe)

MODEL 3440 — Fail - Safe

Electric strikes for use with mortise locksets except Schlage, Sargent and Yale.

For Commercial, New or Retrofit Uses

Standard Features



**1440/3440
Left Hand
Shown**

- Stainless Steel ANSI size Faceplate
- Frame Type - Hollow Metal or Aluminum
- Corrosion - Resistant case and moving parts.
- Tamper Strength Test - 1700 lbs (765kg)
- Cycle Test 500,000 cycles
- Keeper Depth - **5/8"** Maximum Latch Projection possible with 1/8" Door/Frame Clearance - **3/4"**
- Strike Depth 1.50" Overall
- **Handed - When ordering indicate RH or LH**
- ANSI/BHMA A 156.5 (1¼" x 4⁷/₈") fit cutout Specification A 115.1 (with slight jamb modification)
- Keeper Opening starts at center line
- Limited Warranty - **36 Months**

Available in the following Voltages and Finishes:

Specify Finish xUS32D, xUS40 or xUS3 (Plated)

Voltage, Fail Secure x01=8-16VAC/3-6VDC, x05=12VAC/12VDC, x08=24VAC/24VDC

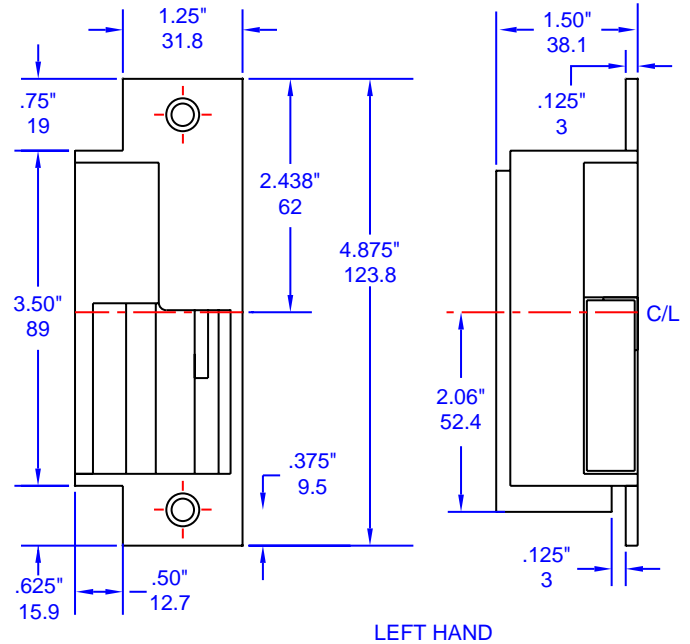
Voltage, Fail Safe x06=12VDC, x09=24VDC



Made in the USA



LINE ART FOR 1440/3440



**HOLLOW METAL
JAMB PREPARATION**

