



ROFU[®] HIGH SECURITY ELECTRIC STRIKE MODEL 1450/3450

1450 AND 3450 - SERIES, WITH ANSI FACEPLATE 1¼" x 4⁷/₈"

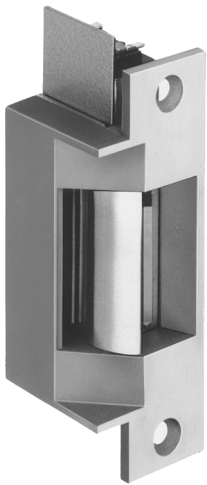
MODEL 1450 — Fail - Secure (Non Fail - Safe)

MODEL 3450 — Fail - Safe

Electric strikes for use with mortise and Cylindrical locksets.

For Commercial and Residential, New or Retrofit Uses

Standard Features



**1450/3450
Non-Handed**

- Stainless Steel ANSI size Faceplate
- Frame Type - Hollow Metal, Aluminum
- Corrosion - Resistant case and moving parts.
- Tamper Strength Test - 1700 lbs (765kg)
- Cycle Test 500,000 cycles
- Keeper Depth - **5/8"** Maximum Latch Projection Possible with 1/8" Door/Frame Clearance - **3/4"**
- Strike Depth 1.50" Overall
- Reversible - Non Handed
- **Fully Tamper Proof Horizontal Adjustment**
To compensate for misalignment and warpage.
- ANSI/BHMA A 156.5 (1¼" x 4⁷/₈") fit cutout
Specification A 115.1 (with slight jamb modification)
- Limited Warranty - 36 Months

Available in the following Voltages and Finishes:

Specify Finish xUS32D, xUS40 or xUS3 (Plated)

Voltage, Fail Secure x01=8-16VAC/3-6VDC, x05=12VAC/12VDC, x08=24VAC/24VDC

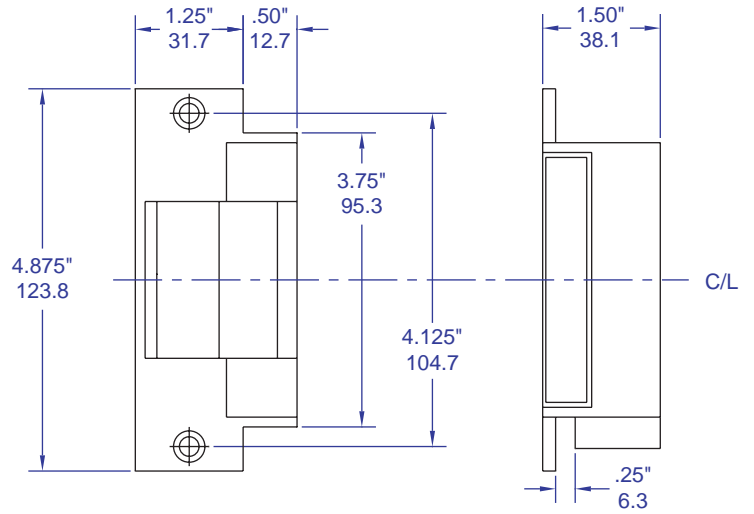
Voltage, Fail Safe x06=12VDC, x09=24VDC



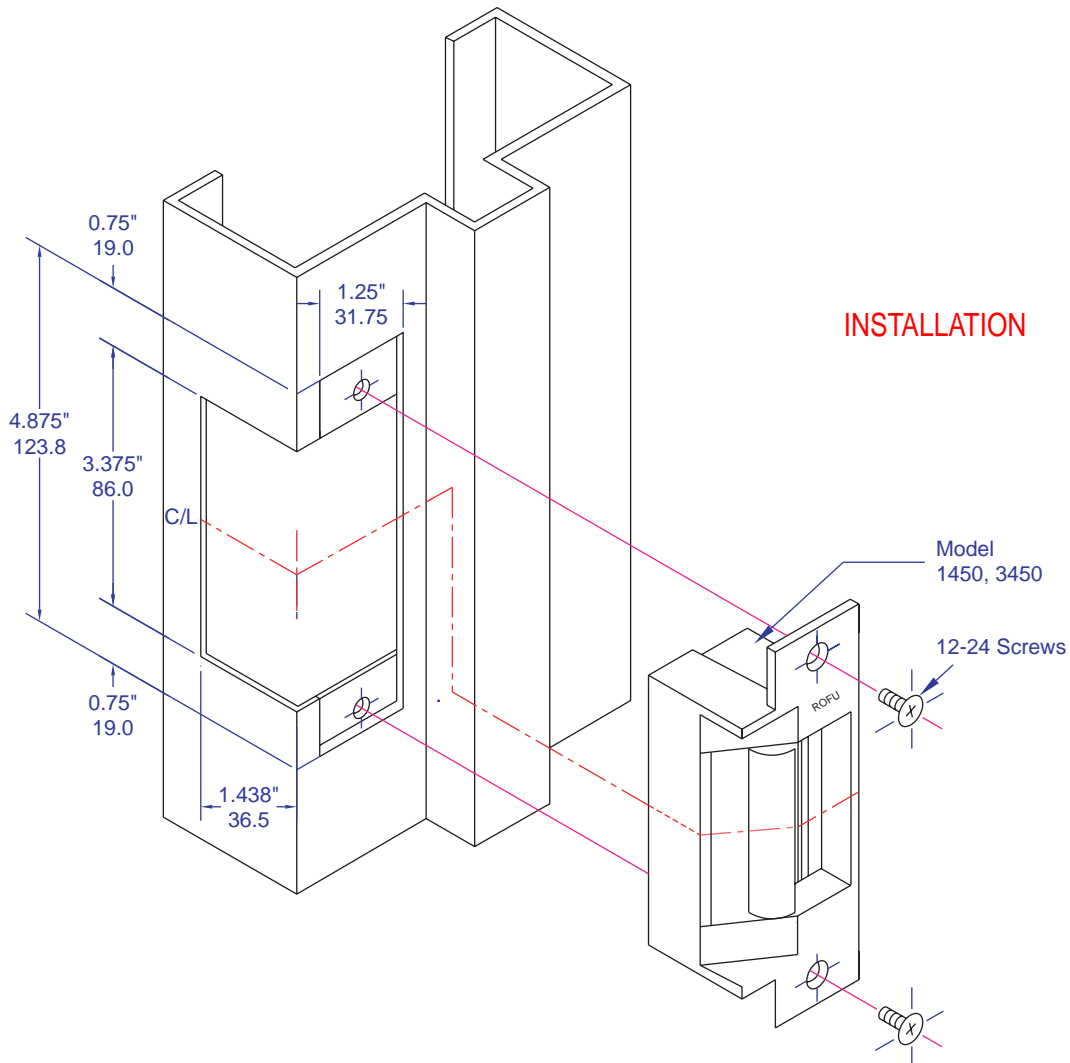
Made in the USA



LINE ART FOR 1450/3450



**HOLLOW METAL
JAMB PREPARATION**



NOT TO SCALE - TECHNICAL DATA SUBJECT TO CHANGE WITHOUT NOTICE