

SDC SECURITY DOOR CONTROLS

3580 Willow Lane, Westlake Village, CA 91361-4921 • (805) 494-0622 • Fax: (805) 494-8861
 www.sdcsecurity.com • E-mail: service@sdsecurity.com

INSTALLATION INSTRUCTIONS 10TD TIME DELAY RELAY

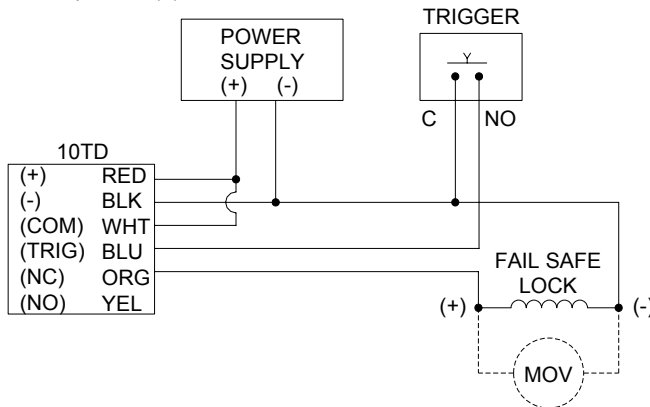
NOTE: Use properly fused power source only. All power must be off until wiring is complete.

SPECIFICATIONS:	Input Voltage:	12/24 volts AC or DC
	Power Consumption:	50mA
	Trigger Input:	N/O Dry switch closure
	Time Adjustment:	1 to 60 Seconds
	Relay Contact Ratings:	2Amp @ 30 VDC (Resistive)

Determine the type of lock (Fail Safe or Fail Secure) you will control.

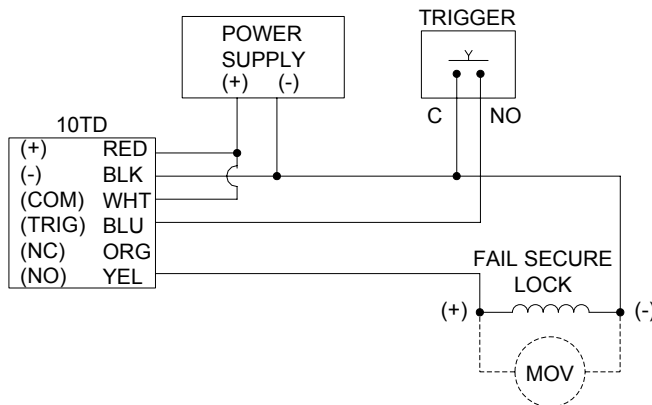
FAIL-SAFE LOCKS

1. Connect the negative (-) lead of the lock to the negative (-) side of the power supply.
2. Connect the BLACK (-) lead of the timer to the negative (-) side of the power supply.
3. Connect the RED (+) lead of the timer to the positive (+) side of the power supply.
4. Connect the WHITE (+) lead of the timer to the positive (+) side of the power supply.
5. Connect the positive (+) lead of the lock to the ORANGE lead of the timer.



FAIL-SECURE LOCKS

1. Connect the negative (-) lead of the lock to the negative (-) side of the power supply.
2. Connect the BLACK (-) lead of the timer to the negative (-) side of the power supply.
3. Connect the RED (+) lead of the timer to the positive (+) side of the power supply.
4. Connect the WHITE (+) lead of the timer to the positive (+) side of the power supply.
5. Connect the positive (+) lead of the lock to the YELLOW lead of the timer.



Connect the common side of your trigger device (Keyswitch, Access Control, Pushswitch, etc.) to the negative side of the power supply. Connect the normally open (N/O) side of the trigger device to the BLUE wire of the timer. Turn on power. Adjust Delay time through access hole on top of module.

NOTE: When powering with AC, the polarity of the power supply connections is not important. An MOV may be required when powering an electric strike or a non-SDC lock.

Any suggestions or comments to this instruction or product are welcome. Please contact us through our website or email engineer@sdsecurity.com