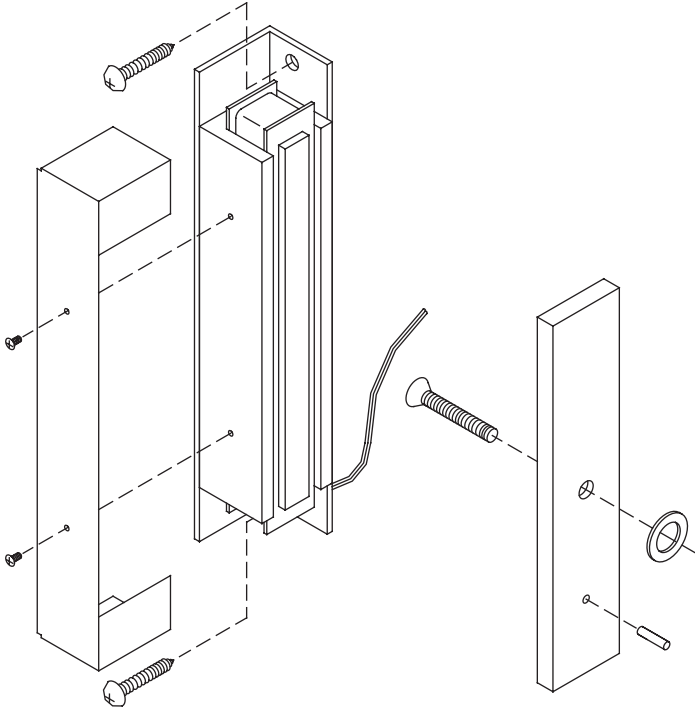




SECURITY DOOR CONTROLS

3580 Willow Lane, Westlake Village, CA 91361-4921 • (805) 494-0622 • Fax: (805) 494-8861
www.sdcsecurity.com • E-mail: service@sdsecurity.com

INSTALLATION INSTRUCTIONS CABINET LOCK 1583



Wire per drawing below depending on Voltage.

24VDC - .25 Amp
12VDC - .45 Amp

