

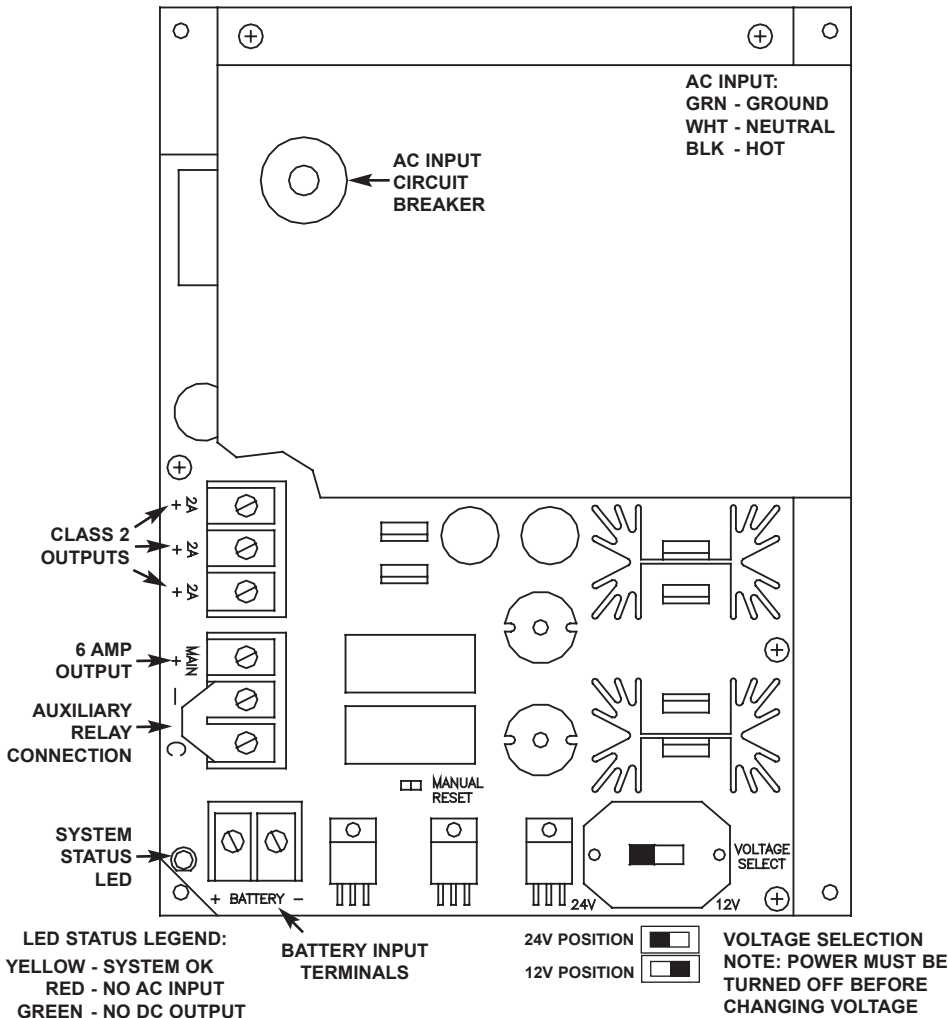


SECURITY DOOR CONTROLS
 3580 Willow Lane, Westlake Village, CA 91361
 (805) 494-0622 FAX (805) 494-8861
 www.sdcsecurity.com E-mail: service@sdsecurity.com

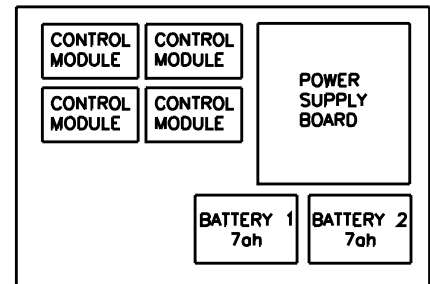
**REGULATED POWER SUPPLY
 INSTALLATION INSTRUCTIONS**

MODEL 636RF

FIGURE A

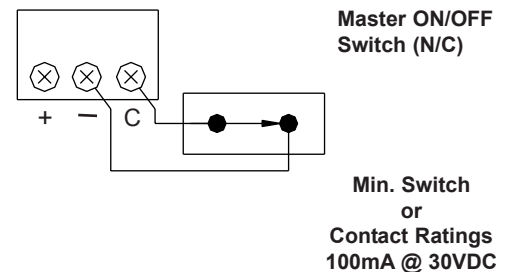


**COMPONENT LOCATIONS
 FIGURE B**



STANDARD BOX

**MAIN SYSTEM ON-OFF
 FIGURE C**



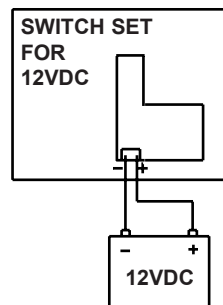
POWER SUPPLY SPECIFICATIONS

Input Voltage: 115 VAC @ 60hz
 Input Current: 1.8 amps Max.

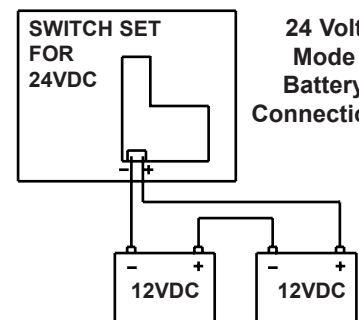
Output Voltage: 12/24VDC (Regulated)
 Output Current: 6 amps
 Ripple Voltage: 0.05 Volts Max.

Battery Charger Max Current: 0.35 amps
 Maximum recommended battery size: 7ah
 (Replace batteries every 3 years)

Suitable Uses:
 Electric Lock Power Supply
 Access Control Power Supply



12 Volt Mode Battery Connections



24 Volt Mode Battery Connections

TEST UNIT YEARLY