

Application

SDC key switch assemblies provide an economical method of providing authorized control for a variety of applications. A choice of several contact configurations ensure compatibility with virtually any system.

Applications include:

- **Access Control**
- **Automatic Gate Operation**
- **Roll Up Door Operation**
- **Alarm Shunt**
- **Alarm Reset**
- **Machine Operation**

New Construction or Retrofit

SDC key switch assemblies are compatible with U.S. standard, 1.125" and 1.25" mortise key cylinders and interchangeable core cylinders (not included). Compatibility with a new or existing facility mechanical key system is maintained. Standard switch assemblies are single gang box mounted. Assemblies equipped with narrow faceplates are mounted directly to the door frame.

Functions

- **Momentary**
- **Timed Actuation (1-60 seconds)**
- **Alternate Action (On-Off)**

Features

- **Tamper resistant, recessed cylinder** (all except 700N)
- **Tamper resistant spanner screws**
- **Heavy duty all steel assembly**
- **Stainless steel faceplates of 20 gauge or 0.25" thickness.**
- **Large actuator for positive and consistent activation**
- **6 Amp @ 30 VDC**
- **7", 22 gauge wire leads**

700 Series

- 20 gauge, stainless steel faceplate
- Spanner security screws and tool
- Plated finishes optional

700

- Single gang, wall mounted
- Anti-tamper recessed key cylinder

700N

- Narrow 1.75" wide, frame mo



700



700N

800 Series High Security

- 0.25" thick face plate
- Spanner security screws and tool
- Anti-tamper plugs for mounting screws
- Anti-tamper, recessed key cylinder
- Plated and dark bronze anodized finishes optional

Base Material

0.25" thick stainless steel is standard when dull stainless steel and plated finishes are specified. 0.25" thick aluminum is standard when anodized finishes are specified for matching aluminum frames.



800



800N

800

- Single gang, wall mounted

800N

- Narrow, 1.75" wide, frame mounted
- Four mounting screws provide increased integrity



MADE IN THE USA

SECURITY DOOR CONTROLS



700

- Security Screws
- Cylinder Recess (N/A 700N)
- 20 gauge Stainless Steel



700N

10 Amp	6 Amp	Alternate Action SPDT	Application
701-10	701	Turning the key left or right actuates and latches the contact. Contact position is maintained until the key is inserted and turned again.	<ul style="list-style-type: none"> • Circuit on-off • Access control bypass • Alarm bypass • Machine operation
701N-10	701N		
	701T		
801-10	801		
801N-10	801N		
	801T		



800

- 0.25" Faceplate
- Anti-Tamper Plugs
- Security Screws
- Cylinder Recess
- Stainless steel or aluminum standard



800N

10 Amp	6 Amp	Momentary SPDT	Applications
702-10	702	Turning the key left or right momentarily actuates the contact.	<ul style="list-style-type: none"> • Momentary access • Timer activation • Alarm reset
702N-10	702N		
	702T		
802-10	802		
802N-10	802N		
	802T		



700T / 800T

- Two Gang
- 4 security screws
- 20 gauge or 0.25" stainless steel standard

Two gang faceplates provide for the use of a larger junction box to accommodate time delays, audible annunciation and increased wiring.

6 Amp	Momentary SPDT plus 10TD Electronic Mini Timer SPDT 2 Amp @ 30 VDC Adjustable 1-60 seconds	Applications
704	Turning the key left or right activates an electronically timed contact for 1 to 60 seconds.	<ul style="list-style-type: none"> • Timed access • Timed alarm shunt
804T		
704		
804T		

6 Amp	Alternate Action DPDT	Applications
705	Turning the key left or right actuates and latches the contacts. Contact position is maintained until the key is inserted and turned again.	Control two circuits simultaneously
705N		
705T		
805		
805N		
805T		

Finish

700 / 700N / 700T / 800 / 800N / 800T
(Base material, stainless steel or brass)

- C** 605 Bright Brass **D** 611 Satin Brass
- F** 611 Bright Bronze **G** 612 Satin Bronze
- H** 613 Oil Rubbed Bronze
- P** 625 Bright Chrome
- U** 630 Satin Stainless Steel (standard)

800AL / 800ALN / 800ALT
(base material, 0.25" aluminum)

- V** 628 Satin Aluminum (standard)
- X** 313 Dark Bronze
- Y** 335 Black

Example: 702U 802NV

6 Amp	Momentary DPDT	Application
706	Turning the key left or right momentarily actuates the contacts.	Control two circuits simultaneously
706N		
706T		
806		
806N		
806T		

6 Amp	#1 Momentary SPDT #2 Momentary SPDT	Application
707	Turning the key left momentarily actuates contact #1. Turning the key right momentarily actuates contact #2.	Control two circuits independently
707N		
707T		
807		
807N		
807T		

6 Amp 708 708N 708T 808 808N 808T	#1 Momentary SPDT	Application Control two circuits independently • Momentary access and sustained bypass of a door
	#2 Alternate Action SPDT	
	Turning the key left momentarily actuates contact #1. Turning the key right actuates and latches contact #2 until the key inserted and turned again.	

6 Amp 709 709N 709T 809 809N 809T	#1 Alternate Action SPDT	Application Control two circuits independently • Bypass single station with #1 Bypass all with #2
	#2 Alternate Action SPDT	
	Turning the key left actuates and latches contact #1. Turning the key right actuates and latches contact #2.	

6 Amp 710T 810T	#1 Momentary SPDT plus 10TD Electronic Mini Timer SPDT 2 Amp, 1-60 second	Application Control two circuits independently • Timed access and sustained bypass of a door • Timed alarm shunt (REX) and sustained alarm shunt
	#2 Alternate Action SPDT	
	Turning the key left activates an electronically timed contact #1 for 1 to 60 seconds. Turning the key right actuates & latches contact #2.	

6 Amp 711 711N 711T 811 811N 811T	#1 Momentary DPDT	Application Control two pairs of circuits independently
	#2 Momentary DPDT	
	Turning the key left momentarily actuates contact #1. Turning the key right momentarily actuates contact #2.	

6 Amp 712 712N 712T 812 812N 812T	#1 Momentary DPDT	Application Control two pairs of circuits independently • Activate a time delay, REX input or alarm shunt with #1 • Access control and alarm bypass with #2
	#2 Alternate Action DPDT	
	Turning the key left momentarily actuates contact #1. Turning the key right actuates and latches contact #2 until the key is inserted and turned again.	

6 Amp 713 713N 713T 813 813N 813T	#1 Alternate Action DPDT	Application Control two pairs of circuits independently
	#2 Alternate Action DPDT	
	Turning the key left actuates and latches contact #1. Turning the key right actuates and latches contact #2.	

Options

Not available with FR series

- ATS** Anti-Tamper Switch.
- L1** One LED. Specify Red or Green.
- L2** Two LEDs: One Red, One Green.
- RMB** Buzzer. May be wired to sound when door is unlocked. 12 and 24VDC operation (700T only).
- SN** 85 db Siren. 3-28VDC (700T only).

10TD Mini Timer



The electronic Mini Timer provides timed unlocking and is compatible with all SDC momentary key and exit switches equipped with normally open contacts. The Mini Timer fits inside two gang key and exit switch assemblies, remote junction box and narrow frames.
Voltage Input: 12/24VDC @ 50 mA
Trigger Input: N.O. Dry
Contact: SPDT Dry, 2 Amps @ 30VDC
Wire Leads: 7", 2 Gauge
Time Adj: 1 to 60 seconds
Size: 0.75"W x 1.5"H x 2.25"D (19.05 x 38.1 x 57.15mm)

Key Cylinder



CYL-KD
 1.25" Mortise Key Cylinder and 2 keys. Keyed different. Two different tail pieces provided. See page 4.

Specification Example



702NU x L2

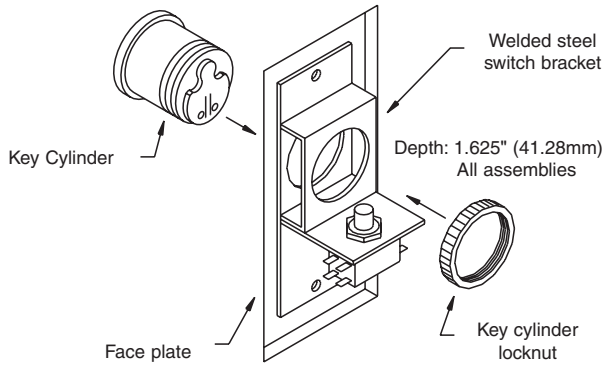


702U x L2



708TU x L2 x SN

Assembly Details



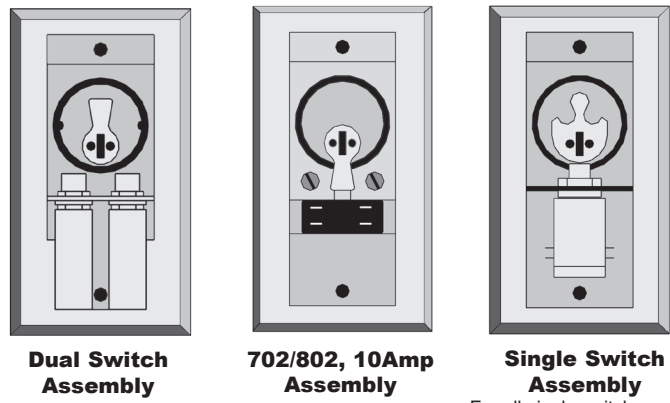
Faceplate Dimensions

- 700:** 2.875"H x 4.5"W x 20 Ga. (73 x 114 x 0.912mm)
- 700N:** 1.75"H x 4.5"W x 20 Ga. (45 x 114 x 0.912mm)
- 700T:** 4.5"H x 4.5"W x 20 Ga. (112 x 112 x 0.912mm)
- 800:** 3.25"H x 5"W x 0.25"D (83 x 127 x 6.35mm)
- 800N:** 1.75"H x 5"W x 0.25"D (45 x 127 x 6.35mm)
- 800T:** 5"H x 5"W x 0.25"D (127 x 127 x 6.35mm)

Assembly Tools

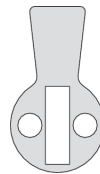
For convenience, a small spanner tool is provided with the assembly for fastening of spanner security screws.

Part # **SS632**, a standard spanner screwdriver, may be ordered separately.

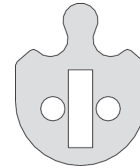


For all single switch assemblies except 10A 702/802 configuration.

Tailpiece (actual size shown)



Compatible with all dual switch assemblies and 10A configuration of 702/802.



Compatible with all single and dual switch assemblies except 10A 702/802 configuration.

700N /800N Frame Preparation

1.75" (44.45mm) minimum frame face

