



# SECURITY DOOR CONTROLS

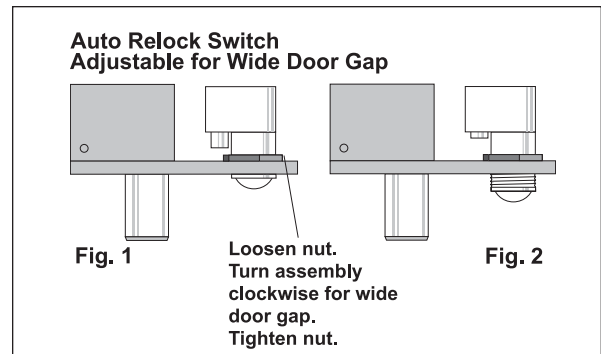
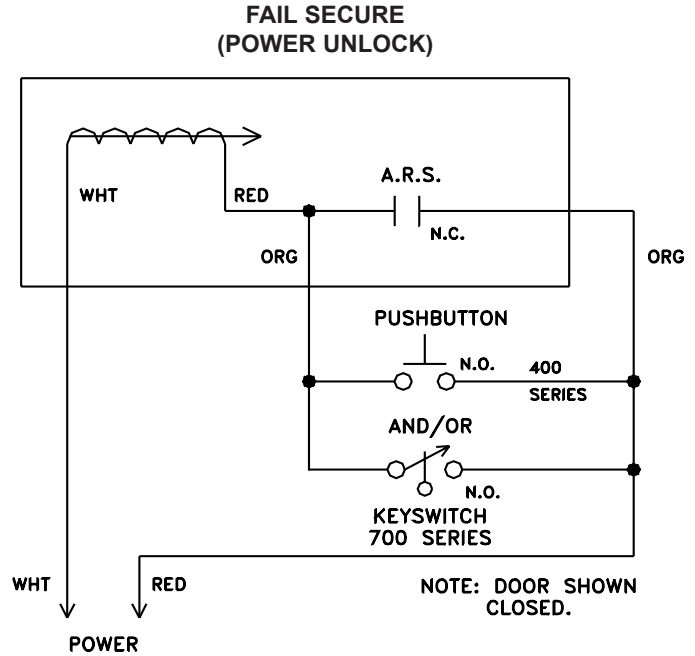
3580 Willow Lane, Westlake Village, CA 91361-4921 • (805) 494-0622 • Fax: (805) 494-8861  
 www.sdcsecurity.com • E-mail: service@sdsecurity.com

## INSTALLATION INSTRUCTIONS MODEL PBD2090A

**READ THOROUGHLY BEFORE INSTALLING.**  
**CAUTION:** This device for center hung doors only.

### INSTALLATION

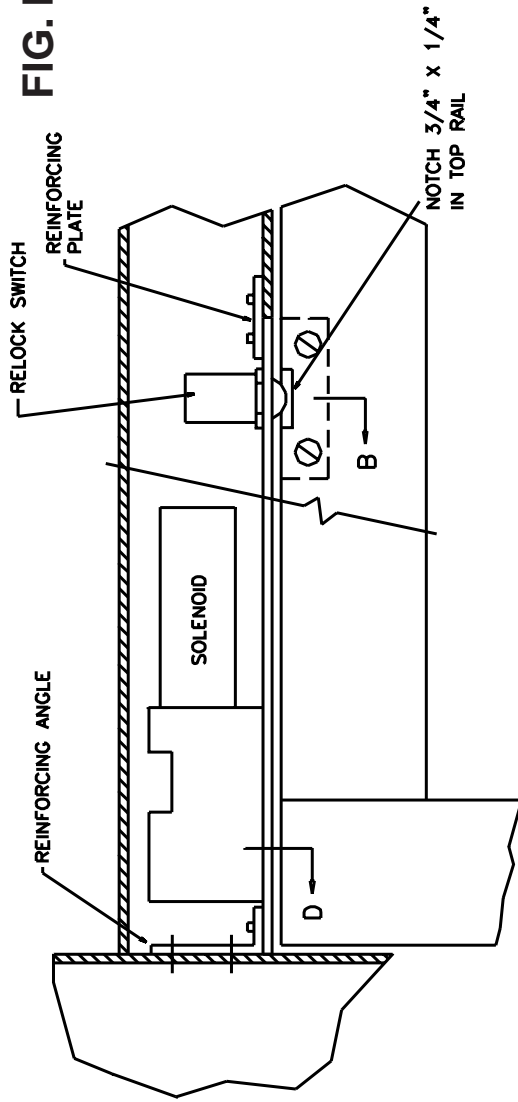
1. Review the installation shown in figures A through D. Center line of panic device determines location of release.
2. The locking bolt will function as long as it enters the top latch bolt at some point. If it is not possible to line up on the panic device center line, a larger notch may have to be cut in the lock stile of the door to clear the lock latch bolt.
3. Remove bottom rod assembly.
4. A metal filler block must be placed in the top rail at the point of automatic relock switch. This block must be flush with the top of the door (required for the automatic relock switch). Because of variables, this filler block is not supplied by SDC. Notch inside top rail at relock switch.
5. After reinforcement tabs have been installed, attach power leads as shown in wire diagram.
6. Insert lock into mortise and attach with machine screws provided.



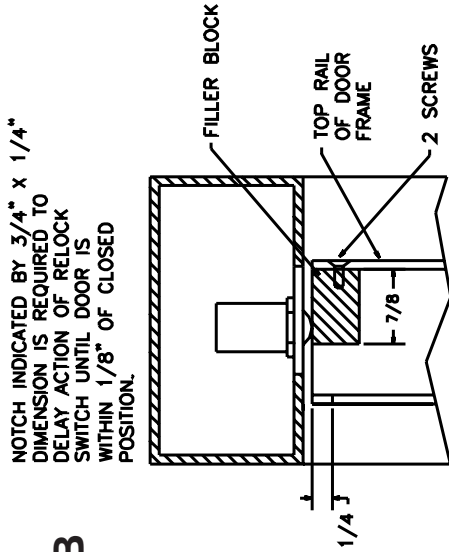
SPECIFICATIONS	TROUBLESHOOTING	
<b>Faceplate:</b> 10" x 1-1/2" x 1/8" <b>I.D. Requirements:</b> 10" x 1-1/2" x 1-1/2" <b>Solenoid:</b> Continuous Duty 2 Stage 24 VAC and 24 VDC available Pull-in Coil - 90 watt/3.8amp at 24VDC Holding Coil - 12 watt/.5 amp at 24VDC <b>Bolt:</b> Beveled stainless steel 1/2" diameter x 1/2" throw	<b>Problem</b>	<b>Solution</b>
<b>BOLT POSITION SENSOR</b>	Top latch will not stand up.	Adjust top latch.
	Bolt will not retract.	Check voltage at lock. Check current rating of transformer. Check for cracks in switch on the side of lock body.
	Bolt projects too soon.	Adjust auto relock switch.
No. 6 SPDT      Indicates bolt locked or unlocked      5 amp	Bolt projects when door is open.	ARS has been bypassed. Check wiring.

# TYPICAL INSTALLATION FOR PANICLOK

**FIG. A**

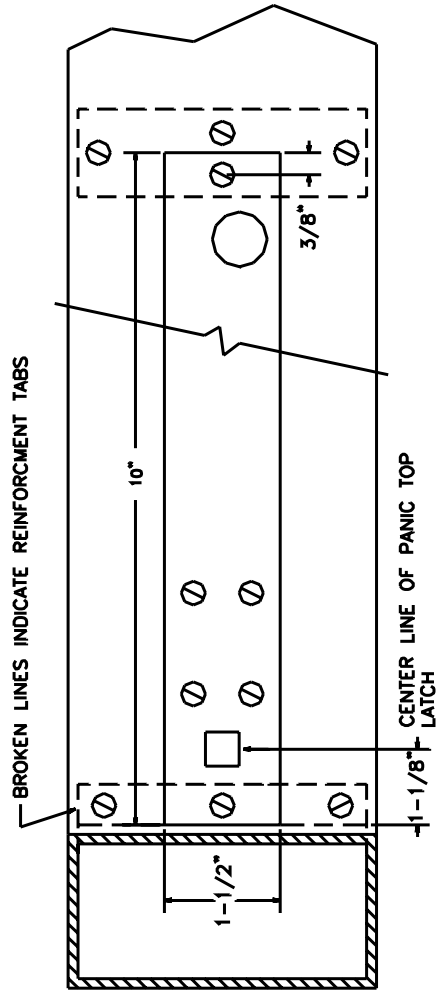


**FIG. B**



NOTCH INDICATED BY 3/4" X 1/4" DIMENSION IS REQUIRED TO DELAY ACTION OF RELOCK SWITCH UNTIL DOOR IS WITHIN 1/8" OF CLOSED POSITION.

**FIG. C**



VIEW OF UNDERSIDE OF HEADER (CUT-OUT DETAIL)

**FIG. D**

