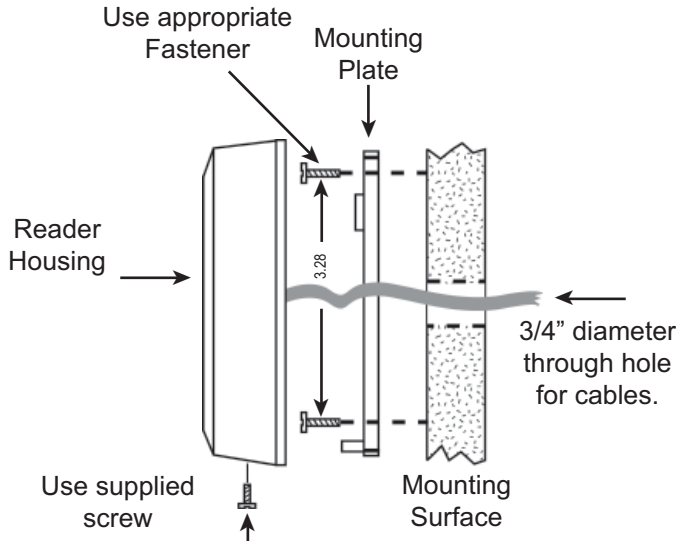


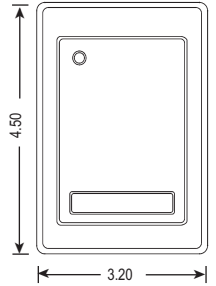
RADIO KEY® Installation Instructions

SWITCHPLATE INSTALLATION DIAGRAM

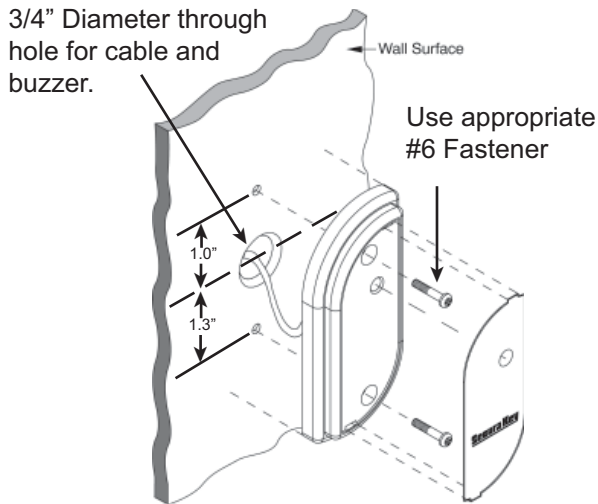


INSTALLATION STEPS FOR RK-WS, RK65KS:

1. Drill holes as needed per installation diagram shown to the left.
2. Feed cable through 3/4" hole.
3. Attach the mounting plate to the mounting surface with the appropriate fasteners.
4. Attach the housing to the mounting plate by inserting the two tabs inside the top of the housing into the two slots at the top of the mounting plate.
5. Secure by installing supplied screws into the hole at the bottom of the reader.
6. Connect cable per wiring diagram shown below.

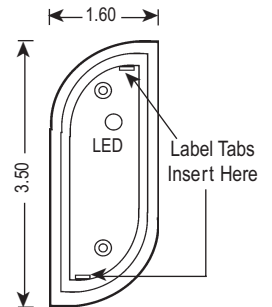


MULLION INSTALLATION DIAGRAM

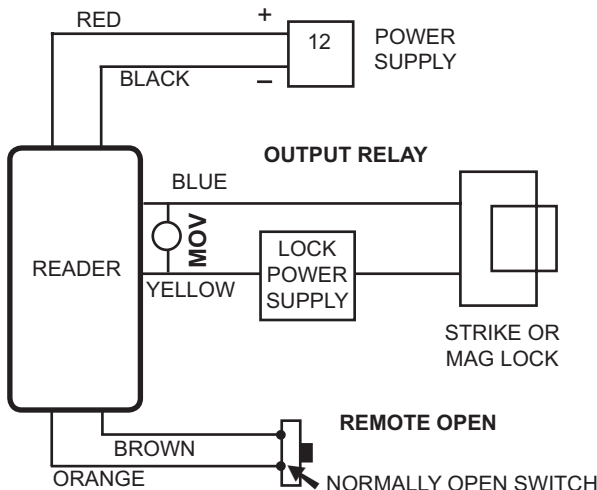


INSTALLATION STEPS FOR RK-WM, RK-100M and RK65K:

1. Drill holes as needed per installation diagram shown to the left.
2. Feed cable through 3/4" hole.
3. Attach reader to any flat surface with two #6 screws.
4. Snap label insert into front of reader to cover screws.



TYPICAL INSTALLATIONS STANDALONE READERS (RK-65K/RK65KS/RK100M)



Note: Use separate power supplies for electric lock and for access control unit.

WIRING CONNECTIONS

WIRE COLOR	RK100M, RK-65K & RK65KS		RK-WM & RK-WS
	STANDALONE WIRING CONNECTIONS	WIEGAND OUTPUT WIRING CONNECTIONS	WIRING CONNECTIONS
RED	5-14 VDC +	5-14 VDC +	5-14 VDC +
BLACK	GROUND —	GROUND —	GROUND —
YELLOW	LATCH RELAY	NOT NEEDED	BUZZER INPUT (1)
BLUE	LATCH RELAY	NOT NEEDED	HOLD
ORANGE	REMOTE OPEN (2)	GREEN LED INPUT (3, 1)	GREEN LED INPUT (1)
BROWN	REMOTE OPEN (2)	RED LED INPUT (3, 1)	RED LED INPUT (1)
GREEN	NOT NEEDED	DATA-0	WIEGAND DATA-0
WHITE	NOT NEEDED	DATA-1	WIEGAND DATA-1

(1) Connect to GROUND to activate
 (2) Input Programmed for Remote Open
 (3) Input Programmed for LED/Beeper Control

PARTS SUPPLIED:

- Access Control Unit
MOV (RK100M, RK65K & RK65KS only)
Operating Guide (RK100M, RK65K & RK65KS only)
Installation Instructions all Models
Log Sheet (RK-65K, RK-100M only)
Mounting Plate (RK-WS, RK65KS only)
2, #6 Mounting Screws
1, 4x40 Screw (RK-WS, RK65KS only)
1, Security Screw (RK-WS, RK65KS only)
Snap-In Labels (RK100M, RK65K only)

ACCESSORIES (NOT INCLUDED):

- RK600-PS: 9VDC plug-in power supply. It is designed to power the RK-100M, RK-65K and RK-65KS only, and requires 120 VAC input.
RK-PD1: Proximity Programming Deck
RK-BB: Back Box/Spacer (RK-WS & RK65KS)
RK-HHP: Hand-Held Programmer (RK100M & RK65K)
SK-SR SecuRelay™ - Smart relay module, DPDT.

SPECIFICATIONS:

POWER REQUIREMENTS

5-14 VDC, 90 mA

OUTPUTS

SPST Solid State Relay, 1A max. @60 VAC or DC
Normally open or normally closed (field programmable)
(See Operating Guide). For RK-65K, RK-65KS and RK-100M only.

INPUTS

Default is Remote Open (requires contact closure). For RK-65K, RK-65KS and RK-100M only.
Also programmable as Bicolor (Red or Green) LED Control or Buzzer/LED control for online systems (see Operating Guide).

WIEGAND OUTPUT

Any Wiegand Format up to 40 bits
Maximum Distance: 500 ft. - 5 or 6 conductor 20 gauge shielded cable

ENVIRONMENT

Access Control Unit, Key Tags and Cards
Ambient Temperature -40° to +70°C (-40° to +158°F)
Humidity 0 to 95% (non-condensing)

**INSTRUCTION TO THE USER
FCC ID: NNHRK100M**

This equipment has been tested and found to comply with the limits for a class B digital device, pursuant to part 15 of the FCC Rules. These limits are designed to provide reasonable protection against harmful interference in a residential installation. This equipment generates, uses and can radiate radio frequency energy and if not installed and used in accordance with the instructions, may cause harmful interference to radio communications. However, there is no guarantee that interference will not occur in a particular installation. If this equipment does cause harmful interference to radio or television reception, which can be determined by turning the equipment off and on, the user is encouraged to try to correct the interference by one or more of the following measures:

- Reorient or relocate the receiving antenna.
Increase the separation between the equipment and receiver.
Connect the equipment into an outlet of a circuit different from that to which the receiver is connected.
Consult the dealer or an experienced radio/TV technician for help.

This equipment has been certified to comply with the limits for a class B computing device, pursuant to FCC Rules. In order to maintain compliance with FCC regulations, shielded cables must be used with this equipment. Operation with non-approved equipment or unshielded cables is likely to result in interference to radio and TV reception. The user is cautioned that changes and modifications made to the equipment without the approval of the manufacturer could void the

European Community Approvals

DECLARATION OF CONFORMITY

We, Secura Key, A Division of Soundcraft Inc,
of 20447 Nordhoff Street, Chatsworth, CA 91311, USA
declare under our sole responsibility that the product
Radio Key RK-100M, RK-65K, RK-65KS, RK-WS, RK-WM

to which this declaration relates, is in conformity with the following standards and/or other normative documents.

- EN 300 330, May 1999
ETS 300 683, June 1997
EN 60950: 1992 Incl Amdt 1-4, 11

We hereby declare that all essential radio test suites have been carried out and that the above named product is in conformity to all the essential requirements of Directive 1999/5/EC.

The conformity assessment procedure referred to in Article 10(5) and detailed in Annex IV of Directive 1999/5/EC has been followed with the involvement of the following Notified Body(ies):

BABT, Claremont House, 34 Molesey Road, Walton-on-Thames, KT12 4RQ

(name and address of Notified Body)

Identification mark: 0168 The equipment will also carry the Class 2 equipment identifier

The technical documentation relevant to the above equipment can be made available for inspection on application to:
Vanhalme, Lieven Baiwemsstraat 13, Industriepark Waggelwater,
8200 Brugge, Belgium

(name and address of EU representative)

Paul Chandler
(name)

Product Marketing Manager
(title)

Paul Chandler
(signature of authorised person)

11/30/00
(date)

User Information

The following statement will be provided with the equipment as required by Article 6.3 of the R&TTE Directive, 1999/5/EC.

The Secura Key Radio Key 100M is in conformity with all essential requirements of the R&TTE Directive (1999/5/EC).

This product is marked with CE 168D which signifies conformity with Class II product requirements specified in the R&TTE Directive.

The following table indicates the areas of intended use of the equipment. Individual licences are not required. For countries not included in this list, please consult the responsible Spectrum Management Agency.

Table with columns: Country of intended use, EU, Yes, No, Non-EU, Yes, No. Rows include Austria, Belgium, Denmark, Finland, France, Germany, Greece, Ireland, Italy, Luxembourg, The Netherlands, Portugal, Spain, Sweden, United Kingdom, Iceland, Liechtenstein, Norway, Switzerland.

Paul Chandler
Name: Paul Chandler
Title: Product Marketing Mgr.



20301 Nordhoff Street, Chatsworth, CA 91311
PHONE (818) 882-0020 • FAX (818) 882-7052
TOLL-FREE (800) 891-0020
Website: www.securakey.com
E-mail: mail@securakey.com

