

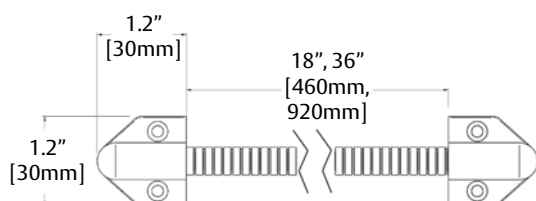


Power Transfer Devices



(TSB-C) Door Cord

- Simplest and most economical solution for power transfer
- 18" cord is standard with *Touch Sense Bar* and *Touch Sense Handle* but may also be purchased separately
- Consists of an 18" [460mm] or 36" [920mm] armored stainless steel cable and plastic end pieces in light gray and black
- Cable has an interior diameter of .25" [6mm]
- Supports interior wire cables up to .2" [5mm] thick



How To Order

Part #	Description
TSB-C	Door Cord With Gray/Black Caps 18" Cord
TSB-CXL	Door Cord With Gray/Black Caps 36" Cord



(EPT) Electrical Power Transfer

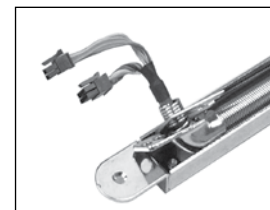
- Installs in the door and frame edges
- Accepts a thick cable and protects it within a flexible steel shield
- Near universal device that will work on any type of door that uses butt hinges, continuous hinges or pivots
- Will not function on a center pivot door
- Manufactured by Abloy Oy for Securitron



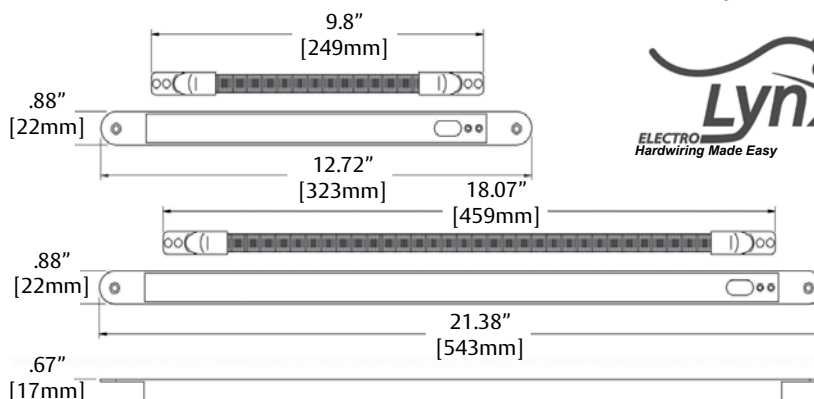
ANSI A250.13-2003
Windstorm Resistant
(EPT and EL-EPT)

How to Order

Part #	Description
EPT	Electrical Power Transfer
EPTL	Electrical Power Transfer, Long
EL-EPT	ElectroLynx EPT
EL-EPTL	ElectroLynx EPTL



EPT can be ordered
ElectroLynx-ready



ANSI A250.13-2003 - Rating by the American National Standards Institute. Rates strength of products to withstand impact from flying objects with force of over 3,000 lbs. static force and 350 ft. lbs. impact force.

Approvals and Listings

- EL-EPT/EL-EPTL - Underwriter's Laboratories: File BP6799 (UL 634)
- EPT/EPTL, EL-EPT/EL-EPTL - Underwriter's Laboratories: File R21028 (UL10B, UL10C)
- EL-EPTL - Underwriter's Laboratories: File R25219

