

MAGNALOCK MODELS M32, M62 AND M82B INSTALLATION INSTRUCTIONS

1. INTRODUCTION

The Securitron Magnalock family represents the state of the art in electromagnetic locking. There are three (3) models with operational electrical characteristics including mounting configuration options addressed in this manual.

The *BondSTAT* "B" Magnalock Series, Bond Sensor, monitors the magnetic field. An internal sensor activates a SPDT dry contact relay connection designed for interface to access control and/or alarm systems for reporting the status of the Magnalock. **(Section 5.2.4)**

The *DPS* "D" Magnalock Series, Door Position Sensor, is activated by a special magnetic strike armature assembly. The isolated SPDT reed switch, with an internal resettable protection device, is designed for interface to access control and/or alarm system for door status. **(Section 5.2.4)**

2. SPECIFICATIONS

MODEL	M32	M62	M82B
Holding Force	600 Lbs [272 kg]	1200 Lbs [544 kg]	1800 Lbs [816 kg]
Dimensions: Length	8" [203mm]	8" [203mm]	12" [305mm]
Height	1.88" [48mm]	3" [76mm]	3" [76mm]
Depth	1.6" [41mm]	1.75" [44mm]	1.75" [44mm]
Dual Voltage	12/24 Volts DC		
Current: @ 12 VDC	300mA	250mA	350mA
@ 24 VDC	150mA	150mA	200mA
Capacitance: @ 12 VDC	6.8 mF	44 mF	44 mF
@ 24 VDC	6.8 mF	11 mF	11 mF
BondSTAT Rating	Voltage: 30 VDC (Maximum) ~ Current: 1 Amp (Maximum)		
DPS Rating	Voltage: 30 VDC (Maximum) ~ Current: 125 mA (Maximum)		

3. PRODUCT OVERVIEW

Upon unpacking this product, an inventory should be made to ensure that all the required components and hardware have been included. Along with these instructions and the installation template, the lock assembly should include the following items:

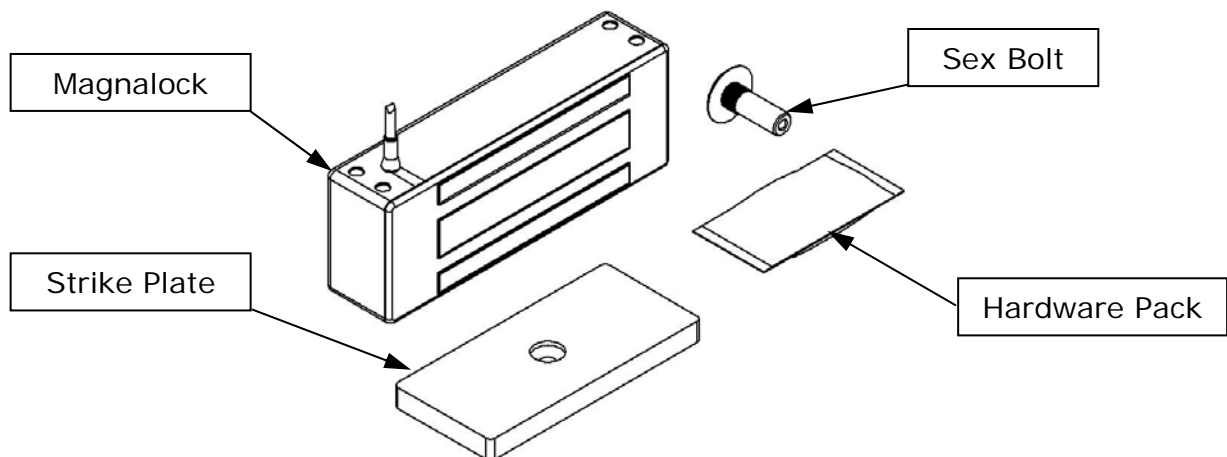


Figure 1

4. RECOMMENDED TOOLS

Power Drill	Hammer	Wire Strippers/Cutter
1/8", 3/8", 1/2" Drill Bits	Center Punch	Crimp Wire Connectors
1/2" Open end or Crescent Wrench	Masking Tape	Crimp Tool
3/16" Hex Key (Allen Wrench)	Fish Tape or Lead Wire	Multimeter

5. INSTALLATION INSTRUCTIONS

5.1 Pre-Installation Survey

It is recommended that an initial on sight survey be performed. A method of mounting should be determined and an installation plan should be reviewed as follows:

- Physical strength of mounting areas should be strong enough to meet or exceed the holding force of the required Magnalock.
- Placement of the Magnalock wiring and protection from potential damage due to intruders or vandals external attack should be considered during the survey.
- Accessibility should be considered for prevention of any potential safety hazard.

Additional brackets may be needed for proper installation. Specialized brackets are available through Securitron and their many product distributors. **(Section 6)**

5.2 Out-Swinging Door

The installation shown below in **Figure 2** illustrates the door swinging away from the Magnalock. This is a common configuration on the secure side of exit doors. The Magnalock mounts to the door frame header near the corner opposite the hinge side. The Magnalock may be mounted horizontally or vertically depending on the installation required. The brackets shown in **Figure 2** are to assist installation to door frames that may need modifications to complete the installation.

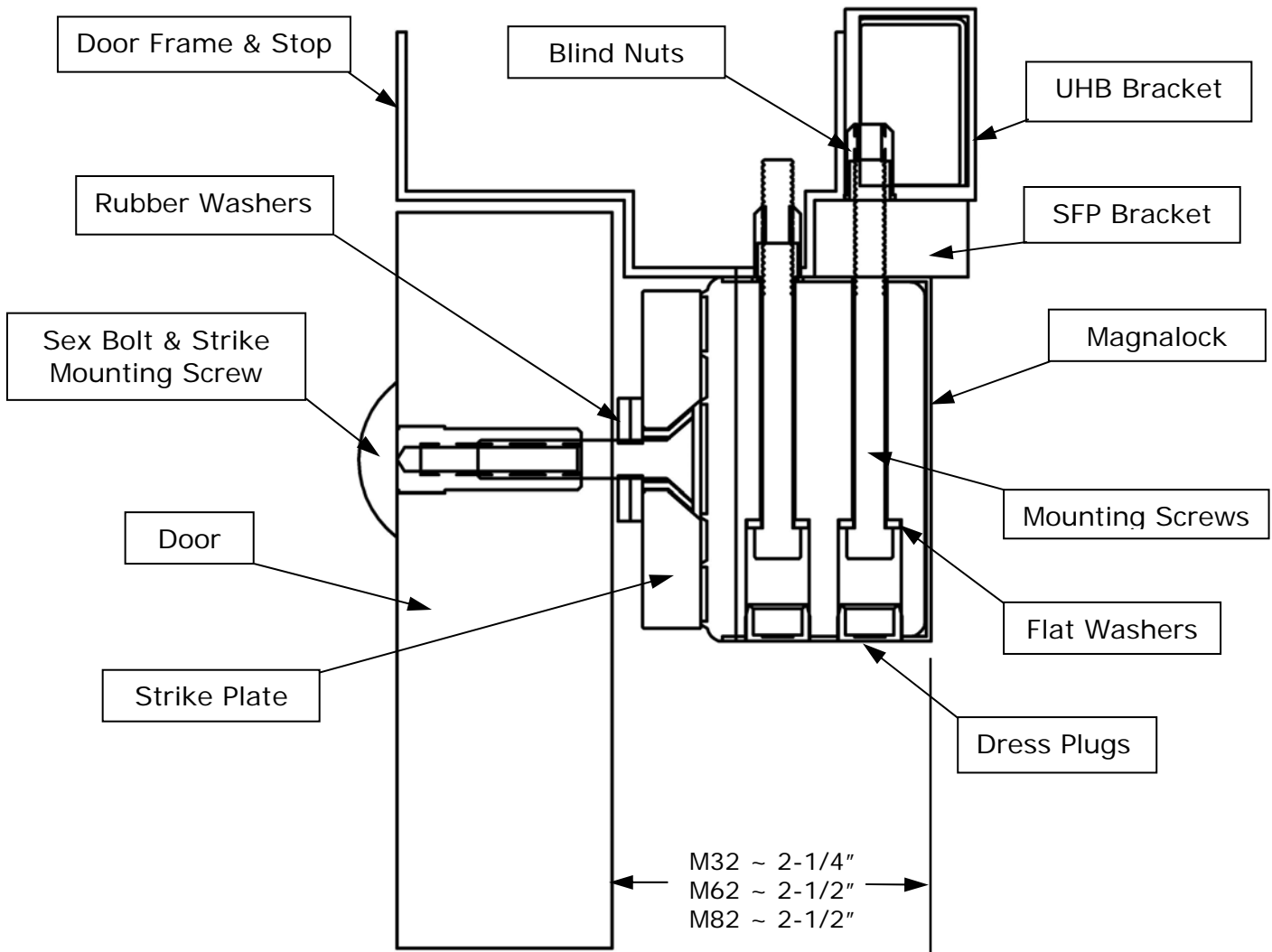


Figure 2

5.2.1 Mounting the Strike Plate

The strike plate should be mounted prior to the magnet in out-swinging door applications. **Figure 3** below illustrates a typical strike mounting configuration.

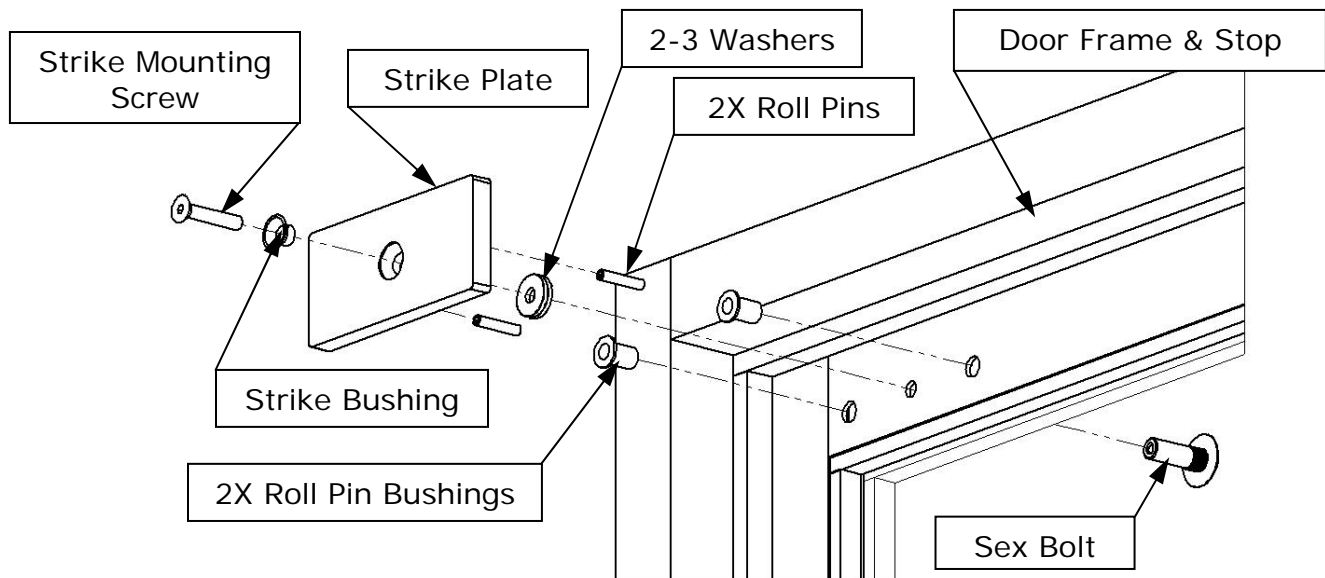


Figure 3

Select a mounting location for the Magnalock and strike assembly as mentioned in **Section 5.1**. The following general guideline should be used for consideration during the installation review:

- *Read and follow the template instructions which include drilling and mounting instructions.*
- Installing a strike plate horizontally, the top edge of the strike will be approximately 1/8" [3.2mm] below the door frame stop. If the strike and magnet are to be mounted vertically, increase this clearance between the strike and frame to 3/16" [4.8mm].
- An approximated 1" [25.4mm] clearance should be considered between the Magnalock and the edge corner of the door frame. This will allow proper access for the mounting locations for drilling and tool access.
- Use the template provided for positioning and marking the mounting locations of the Magnalock and strike. Check the external and internal areas of the marked door and frame for any obstacles such as wire chases or internal structural features. Make necessary adjustments to avoid these obstacles.
- Offset strikes are available for lowering a strike alignment 1/4" [6.0mm] allowing clearance when door construction contains obstructions in the mounting locations.

5.2.2 Mounting the Magnet

Installations with blade stops require an Aluminum Spacer Bracket (ASB) for clearance without having to cut the stop as shown in **Figure 4**. Information on mounting brackets is located in **Section 6** of this manual.

To properly install the Magnalock, the following conditions should be verified:

- The entire Magnalock mounting area for the magnet must be a flat surface.
- The frame area selected must be structurally strong enough for support.
- The magnet face must be mounted parallel to the door face when closed.
- The installed strike must still allow the door to close properly by clearance and alignment.
- The Magnalock face and strike plate must be aligned so that they are centered.

ALIGNMENT IS IMPORTANT FOR "B" & "D" MAGNALOCKS (Section 5.2.4)
ALIGNMENT IS CRITICAL FOR THE MAGNALOCK HOLDING FORCE (Section 2)

- Mark and drill all holes for the mounting screws as instructed on the template.
- Make wire connections, apply power and test for proper operation.
- Mount the Magnalock using the hardware and thread locking compound provided.
- Tighten the screws until secure.

DO NOT OVER-TIGHTEN SCREWS
NEVER DRILL MAGNALOCK MOUNTING HOLES
– DAMAGE MAY OCCUR –

Figure 4 below illustrates a typical Magnalock out-swinging door installation.

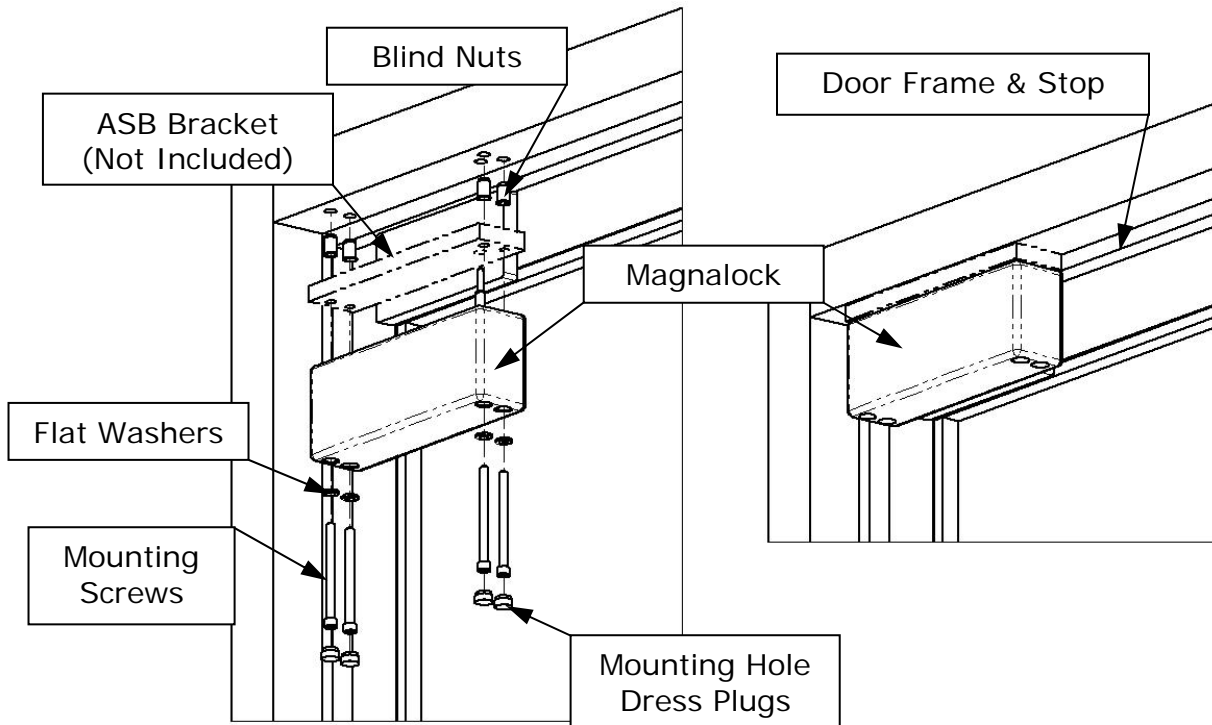


Figure 4

Blind nuts **MUST** be used for mounting Magnalocks to aluminum and/or hollow metal frames. These items are included with the Magnalock hardware pack.

NEVER USE SHEET METAL SCREWS TO MOUNT MAGNALOCKS

5.2.3 Blind Nut Installation

Install a blind nut into each of the 3/8" [9.5mm] hole using the blind nut collapsing tool provided. Use the following instructions and **Figure 5** for the installation of the blind nuts:

- Drill 3/8" [9.5mm] diameter mounting holes into the marked locations of the frame.
- Insert the assembled Blind Nut and Installation Tool into a mounting hole.
- Use 1/2" [13mm] box-end wrench for holding the Install Nut.
- Use a 3/16" [5.0mm] Hex Wrench with the Socket Cap Screw to collapse the Blind Nut.
- Remove the collapsing tool when finished.
- Check that the blind nut is collapsed properly.
- The collapsing tool is reusable for several blind nut installations.

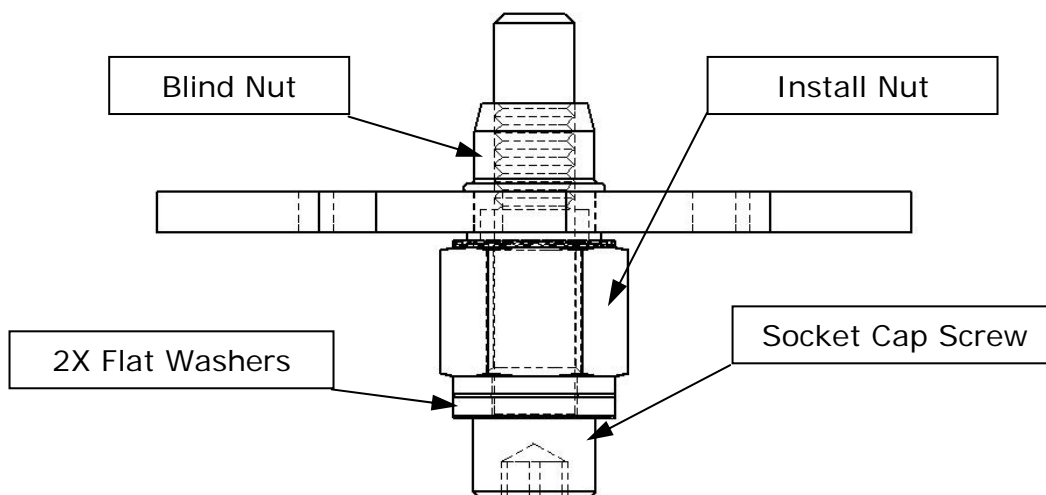


Figure 5

5.2.4 Lock/Strike Installation for "B" and "D" Magnalocks

IMPORTANT!

PLEASE READ AND APPLY THIS INFORMATION WHEN ALIGNING/INSTALLING THE LOCK AND STRIKE. THE ALIGNMENT TOLERANCES INDICATED FOR EACH LOCK MODEL ARE CONSIDERED CRITICAL FOR THE PROPER OPERATION OF BOTH THE MAGNETIC BOND SENSING AND DOOR POSITION SENSING SYSTEMS!

SENSOR RANGES (PHYSICAL POSITIONING):

The BondSTAT "B" and DPS "D" Magnalock "Secure Zone" sensing ranges for each lock model is listed in **Table A**.

Secure Sensor Indication Range (Dimensions from Center)		
Model	"X" (+/-)	"Y" (+/-)
M32B/D	9/32"	1/8"
M62B/D	5/16"	1/8"
M82B/D	9/16"	1/8"

Table A

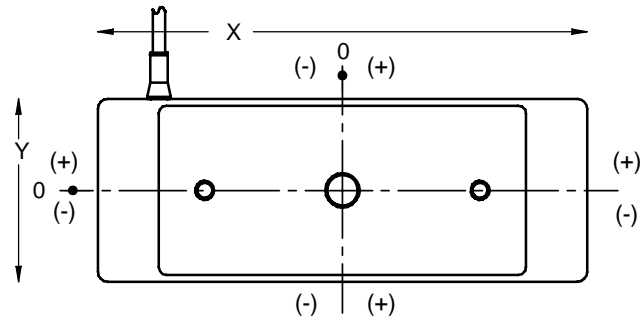


Figure 6

(The **Figure 6** illustration is a visual reference to the sensing ranges outlined in **Table A**).

5.2.5 In-swinging Door Installation

Figure 7 below illustrates a typical in-swinging door mounting configuration. This installation requires the use of a face mount style Magnalock (i.e. M32F, M62F, or M82FB) and a "Z" bracket (Z-32, Z-62, or Z-82) or an adjustable "ZA" bracket (ZA-32/62 or ZA-82) for offsetting the mounting of the strike must be used. Follow the installation instructions provided with the "Z" or "ZA" bracket product to correctly install the Magnalock in this arrangement.

THE M62F AND M82FB INCLUDE FIVE (5) MOUNTING HOLES FOR FLEXIBILITY

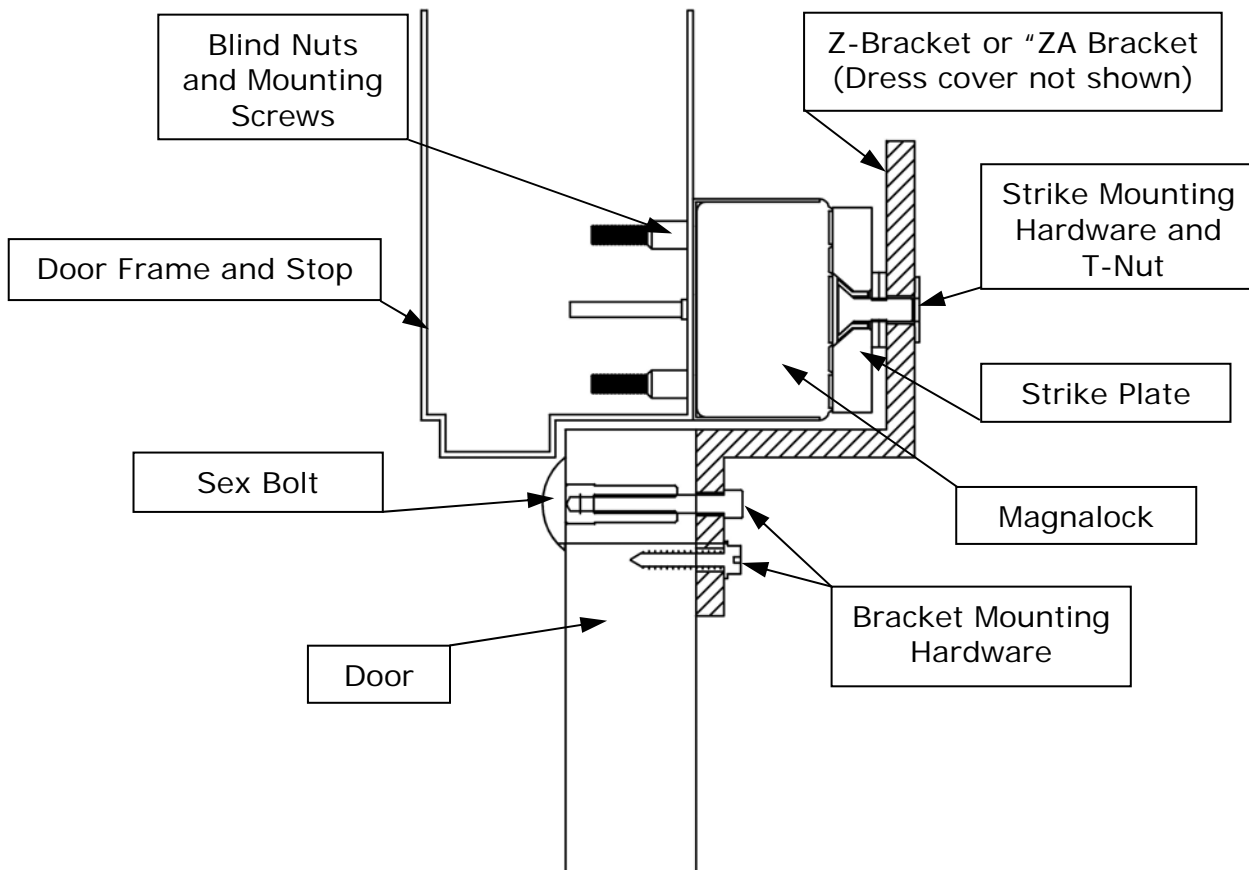


Figure 7

5.2.5 Single Lock - Double Door Magnalock Mounting

A single Magnalock can be used to secure double doors using a split strike plate. The part numbers reduction of holding force for each model is listed below in **Table B**. Use the template and instructions provided with the split strike package for proper installation. (See **Section 7**)

Model	Offset Strike Part Number	Split Strike Part Number	Holding Force (per leaf)
M32	N/A	ASS-32	230 lbs. [104 kg]
M62	AOS-62	ASS-62	550 lbs. [250 kg]
M82	AOS-82	ASS-82	850 lbs. [385 kg]

Table B

5.2.6 DM62 Double 62 Magnalock

The DM62 consists of two (2) Model 62 Magnalocks arranged in one (1) stainless steel housing as shown in **Figure 8**. This product individually secures out-swinging double door applications.

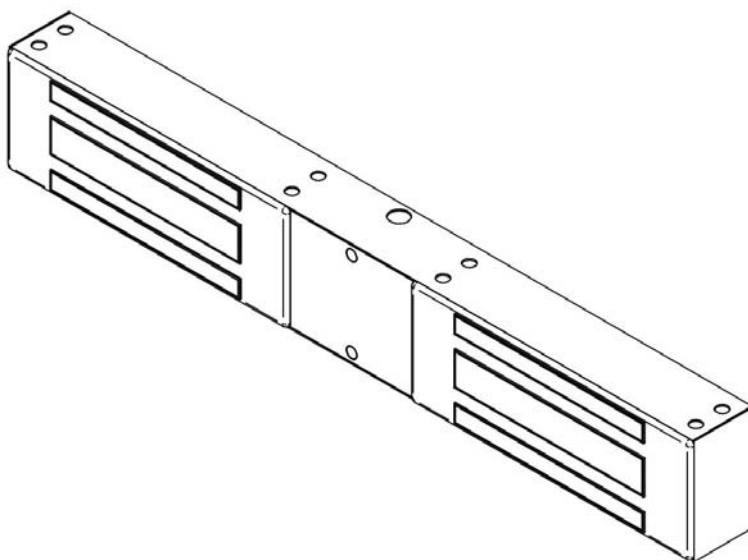


Figure 8

Use the template diagram installation instructions included with the DM62 Magnalock assembly. The features to consideration during the installation procedure:

- Position the Magnalock centered between the doors.
- The mounting diagram measurement and marking placement are critical.
- The mounting diagram is NOT a scaled template.
- Refer to the Magnalock out-swinging door mounting procedures in **Section: 5.2**.
- Refer to the strike mounting procedures in **Section: 5.2.1**.
- Refer to the blind nut instructions in **Section: 5.2.3**.

5.2.7 Mounting Magnalocks for Gates

The "G" Series Magnalock is suitable for use on outdoor gates. **Figure 9** illustrates a variety of typical gate operations for application types and installation techniques. Special mounting brackets are available. See **Section 6.2** for gate bracket information.

IMPORTANT

***THE STRIKE PLATE SHOULD NOT BE WELDED DIRECTLY TO THE GATE
THE STRIKE MUST BE MOUNTED USING THE HARDWARE PROVIDED
HOLDING FORCE AND ALIGNMENT WILL OTHERWISE BE AFFECTED***

GATE STYLE OPERATIONS AND INSTALLATION TECHNIQUES

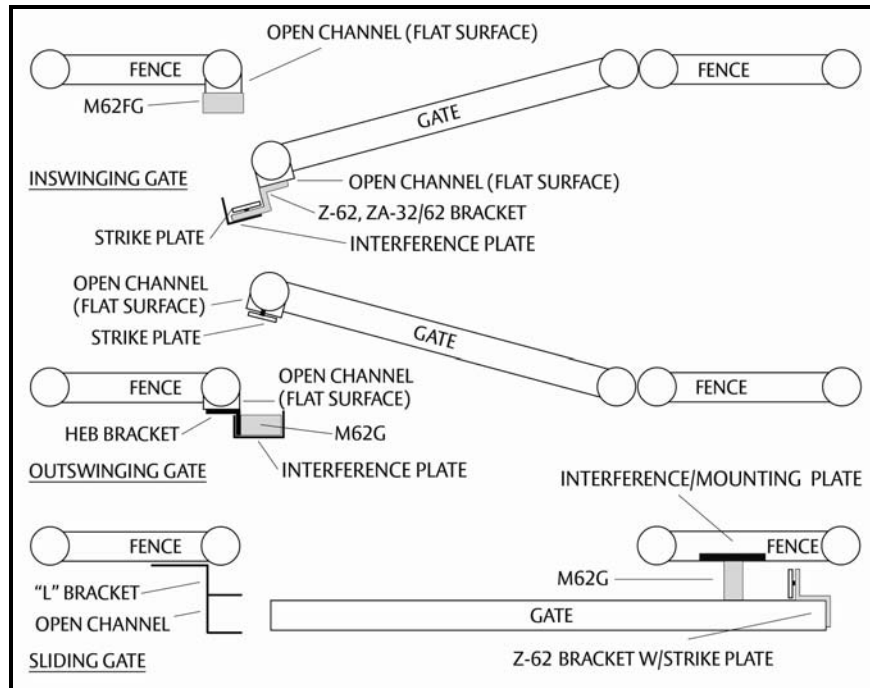


Figure 9

5.3 ELECTRICAL INSTALLATION

5.3.1 General Characteristics

The Magnalock is a low current load device using specialized internal circuitry. The normal characteristic of an inductive load, such as inductive kick-back, is not present. See **Section 2** for more information.

5.3.2 Electrical Standards

DC voltage, full-wave rectified, must be provided for proper operation of the Magnalocks. The red wire receives +12VDC or +24VDC, and the black wire, 0 Volts (negative). If the lock is connected with reverse polarity, it will not operate. The M32, M62 and M82B Magnalocks are auto sensing dual voltage locks. The Magnalock circuit design will automatically select the proper operational conditions for the applied voltage. See **Section 2** for more information.

5.3.3 Poor Release Characteristics

The Magnalock is designed with quick release circuitry. Wiring errors may cause a Magnalocks to release slowly. **Figure 10** illustrates a parallel installation of a resistive load (correct). **Figure 11** illustrates a parallel reverse diode (incorrect).

SLOW RELEASE PREVENTION (WIRING CONSIDERATION)

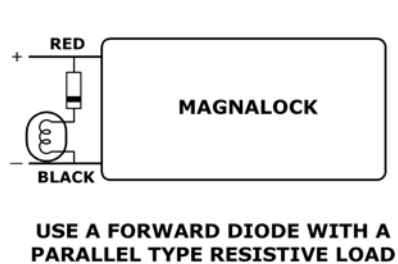


Figure 10

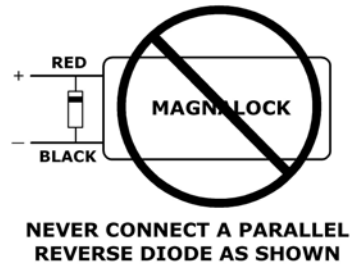


Figure 11

5.3.4 Sensor Ranges (ELECTRICAL)

The "B" version monitoring system is also voltage sensitive. The specified voltage ranges must be properly applied. Refer to **Section 2** for the recommended operating voltage ranges.

5.3.5 Electrical Wiring

The following diagrams, **Figures 12, 13, 14 and 15** represent the proper electrical wiring connections required for Magnalock Standard, BondSTAT "B", DPS "D" and "BD" versions.

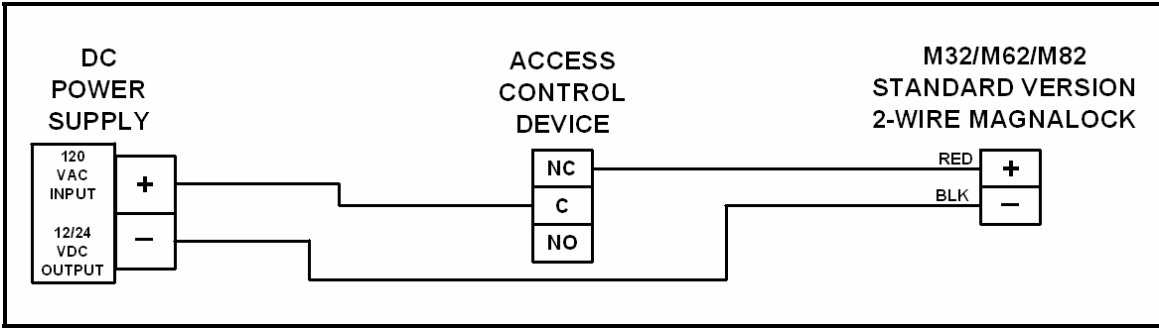


Figure 12

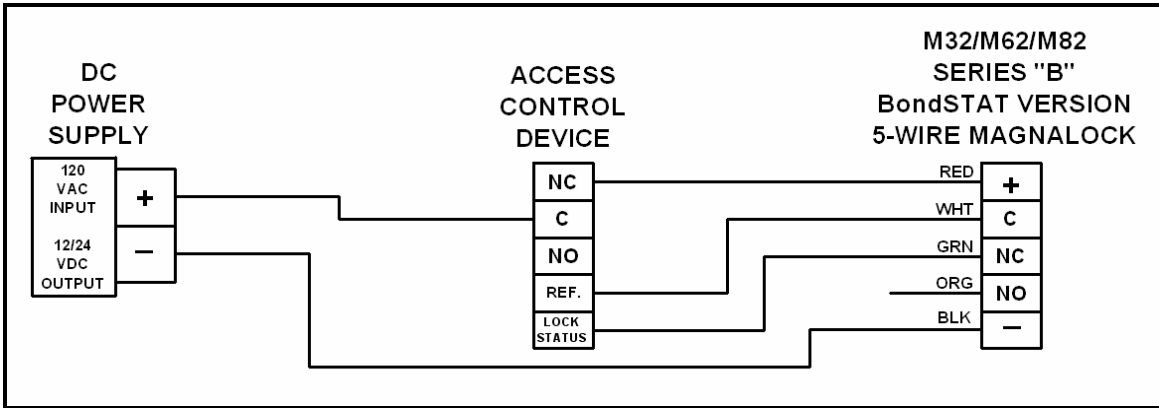


Figure 13

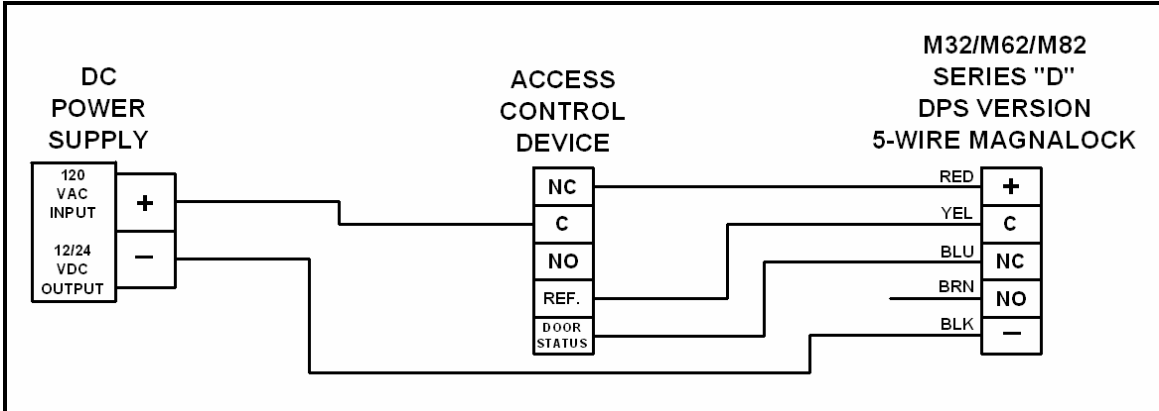


Figure 14

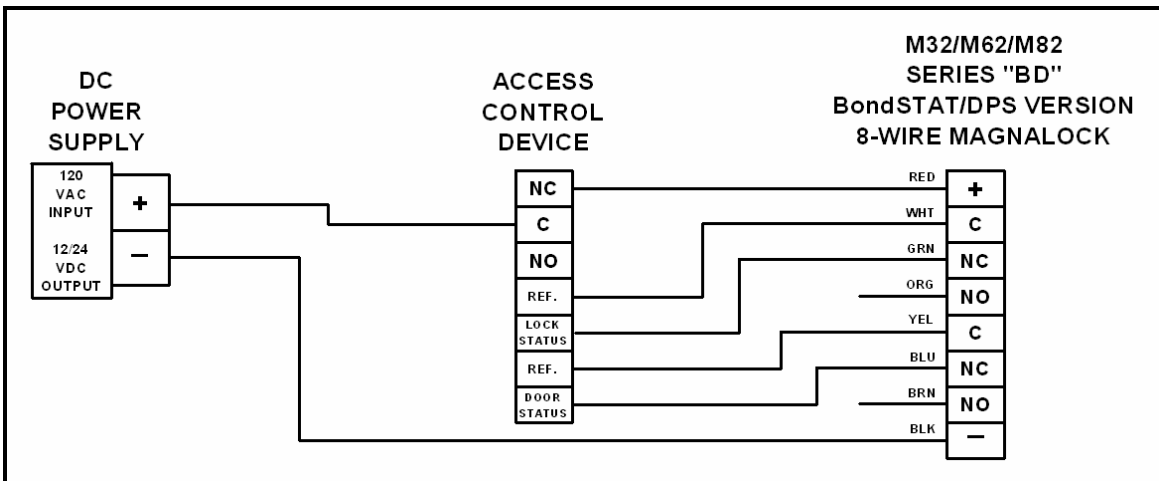


Figure 15

5.3.6 BondSTAT Sensor status wiring description

- The green and white wires supply electrical connection when the lock is ON and secure.
- The orange and white wires supply electrical connection when the lock OFF or unsecure.

5.3.7 DPS – Door Position Sensor status wiring description

- The blue and yellow wires supply electrical connection when the door condition is closed.
- The brown and yellow wires supply electrical connection when the door condition is open.

5.3.8 Double Door Status Wiring – BondSTAT

When two Magnalocks are used for double door installation the *BondSTAT* contacts should be wired in series for proper reporting. Connect the green wire of one lock to the white wire of the other as shown below in **Figure 16**.

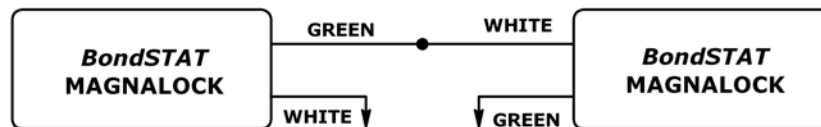


Figure 16

5.3.9 Double Door Status Wiring – DPS

When two Magnalocks are used for double door installation the *DPS* contacts should be wired in series for proper reporting. Connect the blue wire of one lock to the yellow wire of the other as shown below in **Figure 17**.



Figure 17

5.3.10 Emergency Release

Magnalocks are often wired into a system for quick release in case of emergency. Manual switching or automatic triggering from a fire alarm system is practical. It is the user's responsibility to correctly hookup the Magnalock according to the instructions. It is recommended to use a switch or relay to perform break of power. Securitron power supplies have terminals for the interconnection of such emergency release switches.

THE END USER & INSTALLER ARE LIABLE FOR FIRE & BUILDING CODES COMPLIANCE

6. SPECIALIZED MOUNTING BRACKETS

- **ASB – Aluminum Shim Bracket** – The **ASB** bracket is designed for 1/2" [12.7mm] blade stop and/or weather trim clearance mounting of Magnalocks on aluminum frame glass doors.
- **CWB – Concrete/Wood Header Bracket** – The **CWB** bracket is designed for mounting Magnalocks on concrete filled and/or wood headers.
- **FMK-SL & FMK-SW – FLEX-MOUNT Kit** – The **FMK** (FLEX-MOUNT) bracket kits are designed to install on most gate applications. Adapts to round or square posts from 1" [25.4mm] to 3" [76.2mm]. The **FMK-SL** is designed for slide gate type applications. The **FMK-SW** is designed for swing gate type applications.
- **GDB – Glass Door Bracket** – The **GDB** bracket is designed for mounting a Model 32 or Model 62 strike to solid-type framed and unframed glass doors. An **AKG** adhesive kit used for bonding.
- **HEB Bracket** – The **HEB** is a 90 degree bracket designed to extend the door stop and create a flat surface for mounting the Magnalock.
- **HEB-3G Bracket** – The **HEB-3G** bracket is a 90 degree bracket designed for mounting to solid-type framed and unframed glass headers. An **AKG** adhesive kit used for bonding.

- **SFP – Stop Filler Plate** – The **SFP** bracket is designed for extending the door frame mounting surface 1-1/4" [31.8mm]. Thicknesses available in 1/4" [6.4mm], 3/8" [9.5mm], 1/2" [12.7mm] and 5/8" [15.9mm]. Lengths available in 8" [203mm] for M32 or M62 and 12" [305mm] for M82B Magnalocks.
- **UHB – Universal Header Bracket** – The **UHB** bracket is designed to extend the frame width 1" [25.4mm] to 1-1/2" [38.1mm] deeper on steel and aluminum headers not wide enough to mount the Magnalock. Lengths available in 8" [203mm] for M32 or M62 and 12" [305mm] for M82B Magnalocks.
- **Z-Bracket** – The "**Z**" bracket is designed for use with installations of "F" Series Magnalocks for in-swinging doors and gates.
- **ZA-Bracket** – The "**ZA**" bracket is designed to allow a full range of adjustability for use with installations of "F" Series Magnalocks for in-swinging doors and gates.

7. SPECIALIZED STRIKES

- The **AOS** – Armature Offset strike is designed for offset drilling doors with mechanical interference hardware present in the door structure. It also accommodates errors that may have occurred in the field from incorrect mounting placement. **(See Section 5.2.5)**
- The **ASS** – Armature Split strike is designed for single lock/double door installation. There is a reduced holding force when using the split strike. **(See Section 5.2.5)**

8. SPECIALIZED ACCESSORIES

8.1 Dress Covers

- **Single Magnalock Dress Covers** – The covers are designed to meet architectural finishes for matching specified installations. Available in four (4) architectural finishes.
- **Double Dress Covers** – The covers are designed to fit over a double door/dual lock installation. Available in two (2) architectural finishes.

8.2 Installation Tool Kit – Securitron offers an installation tool kit which includes special drill bits, a heavy duty drill guide, a blind nut collapsing tool, extra fasteners and hardware. Metric is also available.

8.3 Tamper Proofing – Special tamper proof screws are available for Magnalock and strike armature mounting. The screws are pinned-socket hex head. A special hex wrench is required and is available when purchasing the screws.

9. MAGNALOCK MAINTENANCE

9.1 Visual Inspection

- Check the rubber washers for elasticity and proper pivoting. Tighten as required.
- Check for build-up of debris on the Magnalock and strike armature. Clean as required.
- Check for rust on the Magnalock and strike plate armature. Clean as required.

9.2 Cleaning Methods

- Cleaning once a year is recommended.
- Clean every six months where minor rusting occurs.
- Clean every three months if rust conditions are severe.
- Use a plastic dishwashing scrub pad to aid in the removal of rust.

***DO NOT USE PETROLEUM BASED PRODUCTS FOR CLEANING
DO NOT USE STEEL WOOL BASED SCRUB PAD OR SANDPAPER***

9.2.1 Indoor Applications

- Apply rubbing alcohol onto a clean cloth and thoroughly wipe down the Magnalock and strike plate armature.

9.2.2 Outdoor Applications

- Apply a silicone based cleaner/lubricant onto a clean cloth and thoroughly wipe down Magnalock and strike plate armature.

Example: Super Lube® Aerosol with SYNCOLON® (PTFE)
Part No.: 31040 ~ 6oz. / 31110 ~ 11 oz. / 32015 ~ 14 oz.
Phone: (631) 567-5300 / Website: www.super-lube.com

APPENDIX A

Troubleshooting

Problem	Lock Does Not Generate a Magnetic Field	Points of Reference
Solution	Check for specified voltage at Magnalock	Section 2
	Check for specified current draw at Magnalock	Section 2

Problem	Reduced Holding Force	Points of Reference
Solution	Check DC power source is Full-Wave Rectified (Half-wave Rectifier or AC Power unacceptable)	Section 5.3.2
	Check for specified voltage at Magnalock	Section 2
	Check for specified current draw at Magnalock	Section 2
	Check strike mounting for proper installation	Section 5.2.1 and 5.2.5
	Check the Magnalock and strike for obstructions and that contact surfaces are properly cleaned	Section 8

Problem	BondSTAT Does Not Report Secure	Points of Reference
Solution	Check for specified voltage at Magnalock	Section 2
	Check for specified current draw at Magnalock	Section 2
	Check strike mounting for proper alignment and pivoting for proper closure to Magnalock	Table A / Section 5.2.4
	Check the Magnalock and strike for obstructions and that contact surfaces are properly cleaned	Section 8

Problem	DPS Does Not Report Door Status	Points of Reference
Solution	Check strike mounting for proper alignment	Table A / Section 5.2.4
	Check for proper door closure	Section 8.1
	Check for proper voltage/current on switch	Section 2
	Check resettable protection device	Section 1

Problem	The Magnalock Does Not Release	Points of Reference
Solution	Make sure no voltage is present at Magnalock	Section 2
	Make sure the Magnalock is not drawing current	Section 2
	Check if the strike is sticky and hard to release	Section 8
	Check the Magnalock and strike for obstructions and that contact surfaces are properly cleaned	Section 8

Problem	The Magnalock is Dirty or Rusty	Points of Reference
Solution	Improper cleaning – Maintenance Equipment	Section 8

Problem	Electronic Noise Interference with Access Control System	Points of Reference
Solution	Check for voltage from Magnalock to door frame. There should be no voltage present.	Section 2

**IF PROBLEMS PERSIST CALL SECURITRON TOLL FREE
(800) MAG-LOCK
(800) 624-5625**

Appendix B

Wire Gauge Factoring

1.1 Remote Power Supply

- The Magnalock requires adequate voltage and current for proper operation.
- Resistance is created by the length and gauge (size) of the wire being used.
- An accurate estimated distance from the power supply to the opening is crucial.
- For superior operation the correct size gauge wire must be used.
- The devices used operate the best with the least amount of resistance on the source.
- Using the correct gauge wires protects against large voltage and current (load) losses.
- The gauge is determined by the wire distance, voltage and current of all devices.

1.2 Determining Wire Gauge

- Follow **Example A** (12VDC system) and **Example B** (24VDC system) below.
- Use **Tables 1** and **Table 2** to choose the correct wire gauge for the application.

1.2.1 Example A: (12VDC system)

Devices Used	Amps (12VDC)	Progressive Totals
M62 Magnalock	0.250	0.250
DK-26 Access	0.160	0.410
XMS Motion	0.050	0.460
EEB2 Timer	0.025	0.485
Total Current Rounded Up (Table 1)		0.600A

Using **Table 1** (12VDC) Find: - Current Draw .600 Amps
- Wire Distance 200 Feet (One-Way)

Solution: 18 Gauge is indicated for proper installation

1.2.2 Example B: (24VDC system)

Devices Used	24VDC Amps	Progressive Totals
M82 Magnalock	0.200	0.200
TSB Touch Bar	0.025	0.225
DK-11 Access	0.070	0.295
XDT-24 Delay	0.050	0.345
MK Bypass/Reset	0.020	0.365
Total Current Rounded Up (Table 2)		0.400A

Using **Table 2** (24VDC) Find: - Current Draw .400 Amps
- Wire Distance 1000 Feet (One-Way)

Solution: 14 Gauge is indicated for proper installation

TO SOLVE: INTERSECT ROW (Current) and INTERSECTING COLUMN (Wire Distance)

CURRENT	1.00A	20 Gauge	18 Gauge	16 Gauge	14 Gauge	14 Gauge	12 Gauge	10 Gauge	10 Gauge	8 Gauge
	.800A	22 Gauge	18 Gauge	18 Gauge	16 Gauge	14 Gauge	12 Gauge	10 Gauge	10 Gauge	8 Gauge
	.600A	22 Gauge	20 Gauge	18 Gauge	18 Gauge	16 Gauge	14 Gauge	14 Gauge	12 Gauge	10 Gauge
	.400A	22 Gauge	22 Gauge	20 Gauge	18 Gauge	18 Gauge	16 Gauge	14 Gauge	14 Gauge	12 Gauge
	.300A	24 Gauge	22 Gauge	22 Gauge	20 Gauge	18 Gauge	18 Gauge	16 Gauge	14 Gauge	14 Gauge
	.200A	24 Gauge	22 Gauge	22 Gauge	22 Gauge	20 Gauge	18 Gauge	18 Gauge	16 Gauge	14 Gauge
12VDC	50' [15m]	100' [30m]	150' [46m]	200' [61m]	300' [91m]	400' [122m]	500' [152m]	750' [229m]	1000' [305m]	
	WIRE DISTANCE									

Table 1

CURRENT	1.0A	22 Gauge	20 Gauge	20 Gauge	18 Gauge	16 Gauge	14 Gauge	14 Gauge	12 Gauge	10 Gauge
	.800A	22 Gauge	22 Gauge	20 Gauge	18 Gauge	18 Gauge	16 Gauge	14 Gauge	14 Gauge	12 Gauge
	.600A	24 Gauge	22 Gauge	22 Gauge	20 Gauge	18 Gauge	18 Gauge	16 Gauge	14 Gauge	14 Gauge
	.400A	24 Gauge	22 Gauge	22 Gauge	22 Gauge	20 Gauge	18 Gauge	18 Gauge	16 Gauge	14 Gauge
	.300A	24 Gauge	24 Gauge	22 Gauge	22 Gauge	22 Gauge	20 Gauge	20 Gauge	18 Gauge	16 Gauge
	.200A	24 Gauge	24 Gauge	24 Gauge	22 Gauge	22 Gauge	22 Gauge	20 Gauge	20 Gauge	18 Gauge
24VDC	50' [15m]	100' [30m]	150' [46m]	200' [61m]	300' [91m]	400' [122m]	500' [152m]	750' [229m]	1000' [305m]	
	WIRE DISTANCE									

Table 2

- **The Wire Distance indicated on the table above represents a 2-wire "One-Way" length from the power supply source to entryway installation area.**
- **The Gauge values specified on the table above represent a 2-wire "Round Trip" length from the power supply source to entryway installation and returning back to the power supply source.**

IMPORTANT

THE 200' [61m] WIRE RUN IN EACH TABLE FACTORS A 400' [122m] ROUND TRIP

MAGNACARE® LIMITED LIFETIME WARRANTY

SECURITRON MAGNALOCK CORPORATION warrants that it will replace at customer's request, at any time for any reason, products manufactured and branded by SECURITRON.

SECURITRON will use its best efforts to ship a replacement product by next day air freight at no cost to the customer within 24 hours of SECURITRON's receipt of the product from customer. If the customer has an account with SECURITRON or a valid credit card, the customer may order an advance replacement product, whereby SECURITRON will charge the customer's account for the price of the product plus next day air freight, and will credit back to the customer the full amount of the charge, including outbound freight, upon SECURITRON's receipt of the original product from the customer.

SECURITRON's sole and exclusive liability, and customer's sole remedy, is limited to the replacement of the SECURITRON product when delivered to SECURITRON's facility (freight and insurance charges prepaid by customer). The replacement, at SECURITRON's sole option, may be the identical item or a newer unit which serves as a functional replacement. In the event that the product type has become obsolete in SECURITRON's product line, this MAGNACARE warranty will not apply. This MAGNACARE warranty also does not apply to custom, built to order, or non-catalog items, items made by others (such as batteries), returns for payment, distributor stock reductions, returns seeking replacement with anything other than the identical product, or products installed outside of the United States or Canada. This MAGNACARE warranty also does not apply to removal or installation costs.

SECURITRON will not be liable to the purchaser, the customer or anyone else for incidental or consequential damages arising from any defect in, or malfunction of, its products. SECURITRON does not assume any responsibility for damage or injury to person or property due to improper care, storage, handling, abuse, misuse, or an act of God.

EXCEPT AS STATED ABOVE, SECURITRON MAKES NO WARRANTIES, EITHER EXPRESS OR IMPLIED, AS TO ANY MATTER WHATSOEVER, INCLUDING WITHOUT LIMITATION THE CONDITION OF ITS PRODUCTS, THEIR MERCHANTABILITY OR FITNESS FOR ANY PARTICULAR PURPOSE.

PATENTS

The Securitron Magnalock is listed under U.S. patent #4,516,114 and 4,682,801.

Additional patents pending.

Magnetic Locking System

(Shown with optional Access Control Keypad)

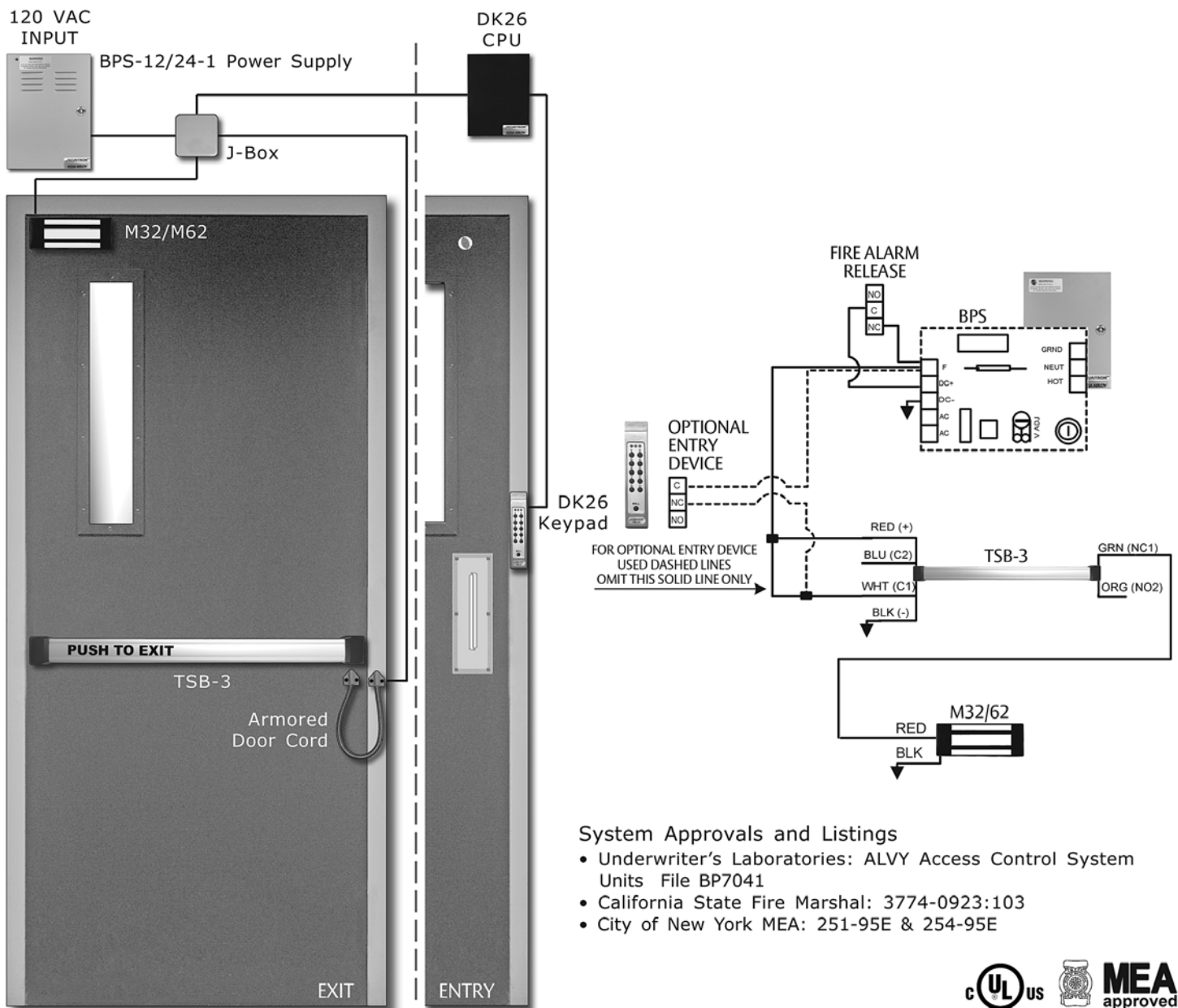


Application - Any exit door where free egress is permitted.

Outside Operation - The door is secured via the M32/M62 Magnalock. Entry is permitted using an optional entry device which releases the magnetic lock.

Inside Operation - The door is secured via the Magnalock. Free egress is accomplished by pushing on the TSB-3 which de-energizes the lock. Contact the factory for additional exit devices necessary for fire-rated installations.

- System Components** - M32/M62 Magnalock
 BPS-12/24-1 Power Supply
 TSB-3 Touch Sense Bar
 DK26 Digital Keypad
 TSB-C Door Cord



System Approvals and Listings

- Underwriter's Laboratories: ALVY Access Control System Units File BP7041
- California State Fire Marshal: 3774-0923:103
- City of New York MEA: 251-95E & 254-95E



Why choose a genuine Magnalock ?

The Securitron Advantages...

Electrical Advantages

- Low Current Consumption (125mA-350mA)
 - Less Heat for Longer Product Life
 - Smaller Gauge Wire
 - Longer Wire Runs
 - Smaller Power Source
 - Job Cost Savings
 - Double/Triple the Battery Back-up Time for a Secure Facility
- Patented "State of the Art" Electronic Circuitry
 - Instant Release Circuit "50 Milliseconds"
 - No Inductive Kickback
 - No Welded Switch Contacts
 - Built-in Noise Suppression
 - No Interference with Sensitive Electronics
- Smart Auto Switching Dual Voltage
 - No Jumpers, No Switches, No Errors

Sealed and Weatherproof

- Securitron Magnetic Locks are 100% Plated & Sealed (excludes M38 & M68 series)
 - Outdoor Installation; Gates, Pool Areas, and Marina
 - Stainless Steel lock casing will not rust
 - Operating Temperature: -40F to +140F [-40C to +60C]
- Optional Universal Conduit Fitting (M62 & M82)
 - Secures and Conceals Magnetic Lock cable
 - Increases the Integrity of the Lock

Mounting Hardware, Brackets and Tools

- Aerospace Collapsing Blind Nuts
 - 1000 lbs tensile strength per blind nut
- Grade One Machine Screws 1/4-20
 - Allows use of "Thread Locker" adhesive
- Complete Line of Mounting Hardware for Doors & Frames
 - Herculite, glass, aluminum, metal clad, and wood
- Optional Installation Kit
 - A real "Tools of the Trade" kit that reduces installation error and speeds installation time - increasing profits
- M38 & M68
 - Integrated mounting bracket and built-in wire access chamber
 - Fast, easy and fool-proof installation

You don't become the best selling or best warranted products in the industry without a few firsts.

1ST "E" profile electromagnetic lock

1ST sealed & weatherproof electromagnetic lock

1ST electromagnetic lock that suppresses inductive kickback and electronic noise and provides instant release

1ST electric lock to mount in a standard door strike opening without cutting the frame (UnLatch)

1ST manufacturer in the security industry to offer a "no strings attached" lifetime replacement warranty (MagnaCare)

1ST electromagnetic lock manufacturer to achieve ISO 9001 certification