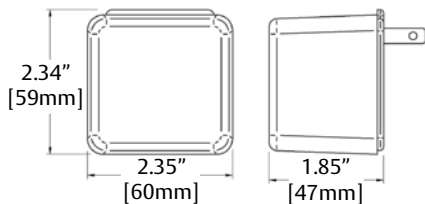




(PSP) Plug-in DC Power Supply



Application - Wall mounted DC power. 12 volts @ 700mA max. capacity (model PSP-12) and 24 volts @ 7350mA max. capacity (model PSP-24). Internal thermal fuse. 16 ft. output cable is included. PSPs are ideal for powering a wide range of DC devices.

Features and Benefits

- Internal thermal fuse
- 16 ft. [4.8m] output cable included
- Hard-to-find DC units
- UL Listed

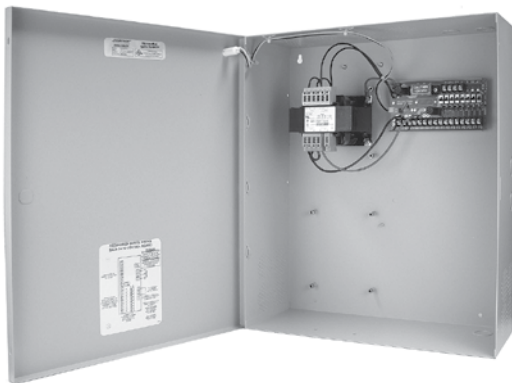
Warranty: MagnaCare Lifetime Replacement Warranty

How To Order

Part #	Description
PSP-12	Plug-in Power Supply 12VDC
PSP-24	Plug-in Power Supply 24VDC



(BACS) Hard Wired AC Power Supply



Application - Intended primarily for powering CCTV cameras. BACS employs the same multiple zone concept as the BPS, including nearly identical control boards providing eight automatically breakered outputs, individual control switches and LEDs.

Features and Benefits

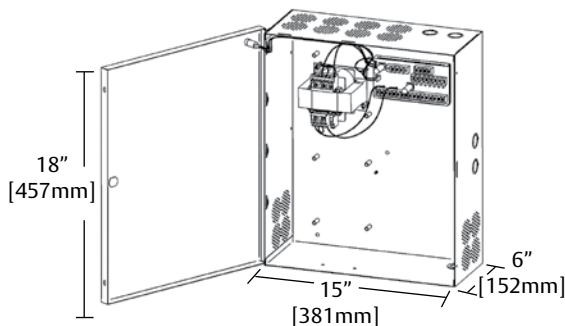
- Hard Wired power supply
- Provides eight (8) automatically breakered outputs with individual control switches and LEDs
- Additional 8-zone expansion boards available based on load and power supply size
- UL Listed

Specification Data

Operating Temperature: +32 to +105F [0 to +40C]
 Capacity and Voltage: BACS-12-20: 20 Amp 12VAC
 BACS-24-10: 10 Amp 24VAC
 BACSH-12-20: 20 Amp 12 VAC 220 VAC
 BACSH-24-10: 10 Amp 220 VAC 220 VAC

Shipping Weight: 23 lbs.

Warranty: MagnaCare Lifetime Replacement Warranty



How To Order

Part #	Description
BACS-12-20	Power Supply 12VAC-20 Amp
BACS-24-10	Power Supply 24VAC-10 Amp
BACSH-12-20	Power Supply 12VAC-20 Amp 220VAC
BACSH-24-10	Power Supply 24VAC-10 Amp 220VAC

