



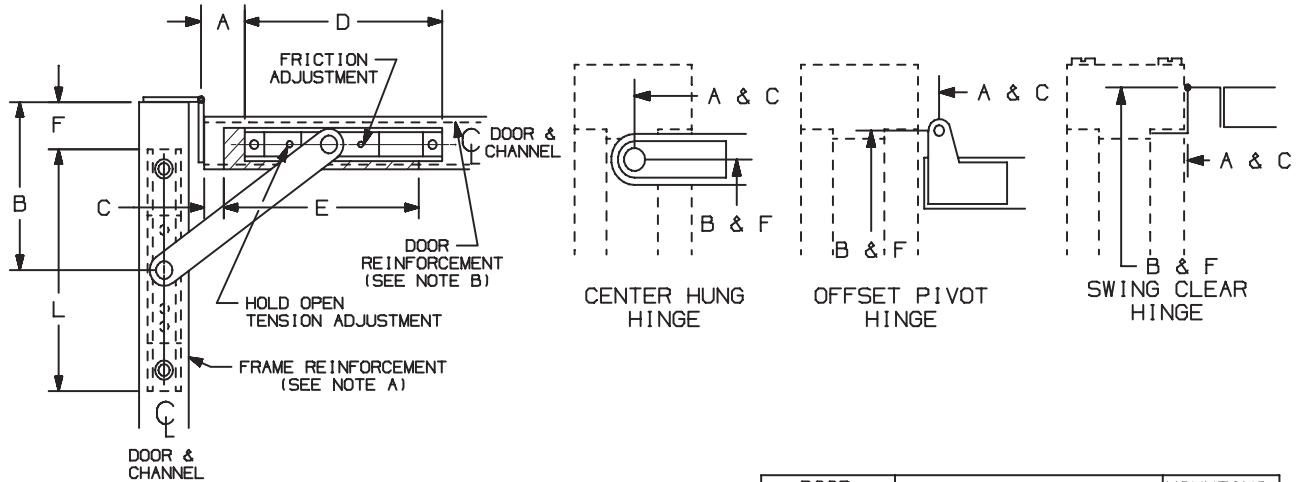
INST.100ADJ

Concealed Overhead Holder

Installation Instructions

OVERHEAD HOLDERS OR STOPS MUST BE INSTALLED BEFORE CLOSERS

1. A. DETERMINE THE MOUNTING BEING USED FROM ILLUSTRATION BELOW.
- B. SELECT MOUNTING GROUP NUMBER FROM THE CHART BELOW. MOST CONTINUOUS HINGES ARE GROUPED WITH 4 1/2" WIDE BUTT OR 4 1/2" SWING CLEAR HINGE.
- C. USING THE MOUNTING GROUP NUMBER AND THE OVERHEAD HOLDER OR STOP SIZE, FIND "A", "C", "D", "E", AND "L" DIMENSIONS FROM CHART ON PAGE 3. FOR DEAD STOP ADD 9/16" (14) TO THE "A" DIMENSION FROM THE CHART. SEE NOTE D FOR INFORMATION ABOUT DEAD STOP.



NOTES:

- A. HOLLOW METAL FRAMES SHOULD BE PROPERLY REINFORCED WITH A 3/16" (5) MINIMUM THICKNESS BY 18" (457) MINIMUM LENGTH PLATE.
- B. HOLLOW METAL DOORS SHOULD BE PROPERLY REINFORCED WITH A 3/16" (5) MINIMUM THICKNESS PLATE.
- C. STOP ONLY UNITS ARE PERMITTED ON MANY FIRE DOOR APPLICATIONS. HOWEVER, MECHANICAL HOLD-OPEN DEVICES THAT REQUIRE MANUAL RELEASE ARE NOT PERMITTED FOR USE ON ANY FIRE DOOR AS OUTLINED ON NFPA80 ® OR NFPA101 ®. CONTACT GLYNN-JOHNSON OR YOUR LOCAL REPRESENTATIVE FOR ASSISTANCE.
- D. DEAD STOP (DS) TEMPLATING MAY BE USED ON HOLD OPEN, FRICTION AND STOP ONLY MODELS, BUT SHOULD NOT BE USED ON "SE" MODELS. THE DS POSITION IS REACHED WHEN THE SHOCK SPRING IS FULLY COMPRESSED. WHEN DS TEMPLATING IS USED, THE INITIAL DEGREE OF STOP WILL BE 5° - 7° LESS THAN THE DS OPENING. FOR USE ON DOORS OPENING BACK-TO-BACK, AGAINST A WALL OR OBSTRUCTION.

100 ADJUSTMENTS:

HOLD-OPEN TENSION ADJUSTMENT (HOLD-OPEN UNIT ONLY) - USING A 1/8" BALL END ALLEN WRENCH, TURN SCREW SHOWN IN BOTTOM OF CHANNEL CLOCKWISE TO INCREASE HOLD-OPEN TENSION AND COUNTERCLOCKWISE TO DECREASE HOLD-OPEN TENSION.

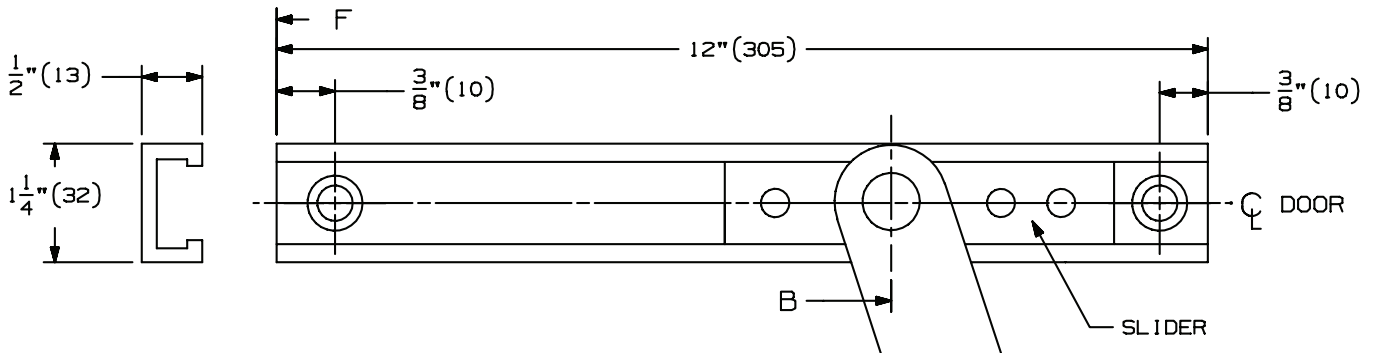
FRICTION TENSION ADJUSTMENT (FRICTION UNIT ONLY) - USING A 1/8" ALLEN WRENCH, HOLD SCREW SHOWN IN PLACE WHILE USING A 7/16" WRENCH TO TURN JAMB NUT COUNTERCLOCKWISE UNTIL LOOSE. TURN SCREW CLOCKWISE TO INCREASE FRICTION TENSION AND TURN COUNTERCLOCKWISE TO DECREASE THE FRICTION TENSION. WHILE HOLDING THE SCREW IN PLACE, TURN THE JAMB NUT CLOCKWISE UNTIL TIGHT.

DIMENSIONS IN () ARE IN MILLIMETERS

DOOR THICKNESS	HINGE TYPE & STYLE	MOUNTING GROUP
1 3/4" (44mm)	4" WIDE BUTT	2
	4 1/2" WIDE BUTT	2
	5" WIDE BUTT	1
	3/4" OFFSET PIVOT	2
	4" SWINGCLEAR	1
	4 1/2" SWINGCLEAR	2
	5" SWINGCLEAR	2
2" (51mm)	CENTERHUNG PIVOT	3
	4 1/2" WIDE BUTT	2
	5" WIDE BUTT	1
	3/4" OFFSET PIVOT	1
	4 1/2" SWINGCLEAR	2
	5" SWINGCLEAR	2
2 1/4" (57mm)	SOSS 220	2
	CENTERHUNG PIVOT	3
	4 1/2" WIDE BUTT	2
	5" WIDE BUTT	1
	3/4" OFFSET PIVOT	1
	4 1/2" SWINGCLEAR	1
2 1/4" (57mm)	5" SWINGCLEAR	1
	SOSS 220	2
	CENTERHUNG PIVOT	3

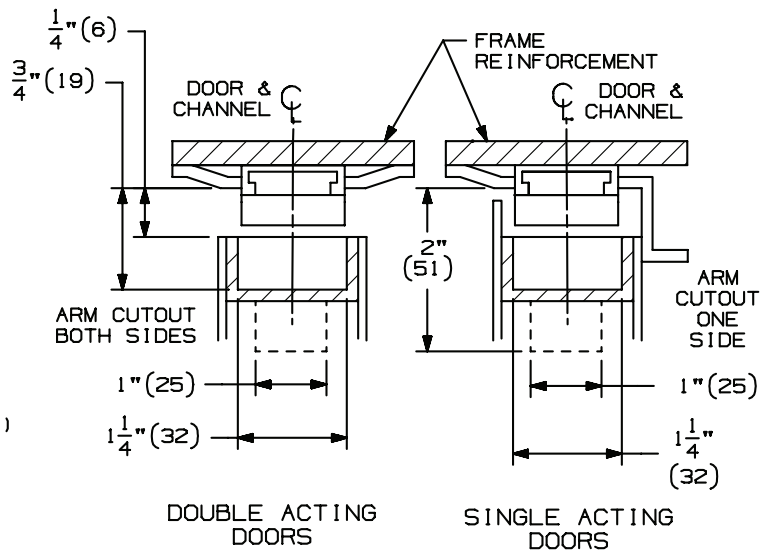
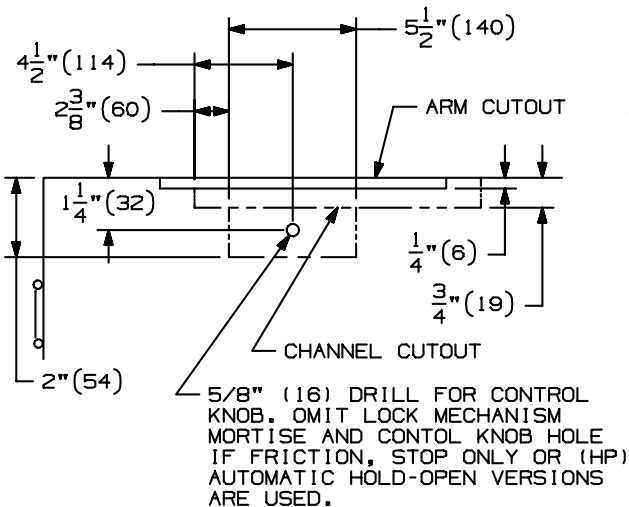
SCREW DETAILS			
	QTY	WOOD	METAL
DOOR	2	#18 x 3" PPHWS	5/16"-18 x 1 1/2" PPHMS
JAMB	2	#14 x 1 1/2" FPHSMS	1/4"-20 x 3/4" FPHMS

2. A. LOCATE "F" AND "L" DIMENSIONS ON THE FRAME. NOTE THAT THE "F" DIMENSION IS MEASURED FROM THE CENTERLINE OF THE HINGE AS SHOWN.
- B. MORTISE FOR THE JAMB BRACKET TRACT AS SHOWN.
- C. FOR METAL FRAMES, USE A #7 DRILL AND A 1/4"-20 TAP IN 2 PLACES. FOR WOOD FRAMES, DRILL 3/16" PILOT HOLE IN 2 PLACES.



REFER TO ILLUSTRATION BELOW AND ON SHT 1 FOR THE FOLLOWING NOTES:

3. A. LOCATE "A" AND "D" DIMENSIONS ON THE CENTERLINE OF THE DOOR. NOTE THAT THE "A" DIMENSION IS MEASURED FROM THE CENTERLINE OF THE HINGE AS SHOWN.
- B. MORTISE FOR THE CHANNEL AS SHOWN IF REQUIRED. FOR 100H HOLD-OPEN VERSION, MORTISE FOR HOLD-OPEN LOCK MECHANISM AND DRILL 5/8" (16) DIAMETER HOLE FOR CONTROL KNOB AS SHOWN. (WHEN HP HOLD-OPEN, F FRICTION OR S STOP UNIT IS SUPPLIED, ADDITIONAL MORTISE FOR HOLD-OPEN MECHANISM AND CONTROL KNOB HOLE ARE NOT REQUIRED.)
- C. LOCATE "C" AND "E" DIMENSIONS ON THE TOP OF THE DOOR. NOTE THAT THE "C" DIMENSION IS MEASURED FROM THE CENTERLINE OF THE HINGE AS SHOWN.
- D. MORTISE FOR ARM CUTOUT AS SHOWN.
- E. FOR METAL DOORS, USE A F DRILL AND 5/16-18 TAP IN 2 PLACES. FOR WOOD DOORS, DRILL 1/4" PILOT HOLES IN 2 PLACES. MOUNTING HOLES SHOULD BE PREPARED IN THE FIELD.



4. A. INSTALL THE CHANNEL IN THE DOOR WITH THE SHOCK SPRING TOWARDS THE HINGE EDGE OF DOOR.
- B. INSTALL JAMB BRACKET TRACT IN FRAME.
- C. FOR 100H HOLD-OPEN VERSION ONLY, EPOXY (NOT PROVIDED) EYELET IN 5/8" (16) HOLE.
- D. FOR 100H HOLD-OPEN VERSION ONLY, PLACE SERRATED KNOB AND KNOB SPACER OVER CAP SCREW AS SHOWN. THREAD ASSEMBLY THROUGH 5/8" (16) HOLE IN DOOR ONTO LOCK MECHANISM.
- E. ADJUST THE SLIDER IN THE JAMB BRACKET TRACT TO THE DESIRED DEGREE OF OPENING ("B" DIMENSION) AND TIGHTEN THE SET SCREWS.

DIMENSIONS IN () ARE IN MILLIMETERS

MOUNTING GROUPS 1, 2 & 3 100ADJ SERIES CONCEALED OVERHEAD STOP & HOLDER

CAUTION: "A", "B", "C" & "F" DIMENSIONS ARE MEASURED FROM THE CENTERLINE OF PIVOT, NOT EDGE OF DOOR

FOR DEAD STOP ADD 9/16" (14) TO THE "A" DIMENSION * NOT TO BE USED WITH OFFSET PIVOTS

HO=HOLD-OPEN FOR HOLDERS, OPENING FOR STOPS

I=ARM LENGTH FROM PIVOT CENTERLINE TO PIVOT CENTERLINE
(FOR REFERENCE ONLY)

DEGREE	B (REFERENCE ONLY)														C	D	E	F	L	I
	DIM.	DOOR OPENING	A	85 HO	90 HO	95 HO	100 HO	105 HO	110 HO	110 HO	105 HO	95 HO	90 HO	85 HO						
103	IN.	27 1/16-33*	3 3/8	9 9/16	8 7/16	7 3/8	6 7/16	5 11/16	5	7/8	22 1/2	22 1/2	22 1/2	2 3/4	12	13				
	mm	687-838*	86	243	214	187	164	144	127	22	572	572	572	70	305	330				
104	IN.	33 1/16-39	5 5/8	12 1/4	10 15/16	9 3/4	8 11/16	7 3/4	7	3 1/8	26 5/16	26 1/4	26 1/4	4 3/4	12	16 1/4				
	mm	839-991	143	311	278	248	221	197	178	79	668	667	667	121	305	413				
105	IN.	39 1/16-45	9 3/8	13 11/16	12	10 1/2	9 3/16	8 1/16	7 1/8	6 7/8	28	28	28	4 1/4	12	20				
	mm	992-1143	238	348	305	267	233	205	181	175	711	711	711	108	305	508				
106	IN.	45 1/16-54	12	15 7/16	13 1/2	11 3/4	10 1/4	9	8	9 1/2	30 1/2	30 1/2	30 1/2	5 7/8	12	23				
	mm	1144-1372	305	392	343	298	260	229	203	241	775	775	775	149	305	584				
103	IN.	27 1/16-33*	3 1/2	9 1/2	8 7/16	7 7/16	6 9/16	5 13/16	5 3/16	1	22 1/2	22 1/2	22 1/2	2 3/4	12	13				
	mm	687-838*	89	241	214	189	167	148	132	25	572	572	572	70	305	330				
104	IN.	33 1/16-39	5 5/8	12 5/16	11 1/16	9 15/16	8 7/8	8	7 1/4	3 1/8	26 5/16	26 1/4	26 1/4	4 3/4	12	16 1/4				
	mm	839-991	143	313	281	252	225	203	184	79	668	667	667	121	305	413				
105	IN.	39 1/16-45	9 1/2	13 11/16	12	10 9/16	9 1/4	8 3/16	7 1/4	7	28	28	28	4 1/4	12	20				
	mm	992-1143	241	348	305	268	235	208	184	178	711	711	711	108	305	508				
106	IN.	45 1/16-54	12 3/4	14 3/8	12 11/16	10 5/8	9 3/16	7 15/16	7	10 1/4	30 1/2	30 1/2	30 1/2	4 7/8	12	23				
	mm	1144-1372	324	365	322	270	233	202	178	260	775	775	775	124	305	584				
103	IN.	33 1/16-39	4 1/2	8 5/8	7 5/8	6 13/16	6 1/16	-	-	2	22 1/2	22 1/2	22 1/2	3 3/8	12	13				
	mm	839-991	114	219	194	173	154	-	-	51	572	572	572	98	305	330				
104	IN.	39 1/16-45	7 1/8	10 13/16	9 9/16	8 1/2	7 9/16	6 3/4	6 1/16	4 5/8	26 5/16	26 1/4	26 1/4	4	12	16 1/4				
	mm	992-1143	181	275	243	216	192	171	154	117	668	667	667	102	305	413				
105	IN.	45 1/16-51	10 1/2	12 13/16	11 1/4	9 15/16	8 3/4	7 13/16	7	8	28	28	28	4	12	20				
	mm	1144-1295	267	325	286	252	222	198	178	203	711	711	711	102	305	508				
106	IN.	51 1/16-57	13	14 11/16	12 15/16	11 3/8	10 1/16	8 15/16	8	10 1/2	30 1/2	30 1/2	30 1/2	5 1/2	12	23				
	mm	1296-1448	330	373	329	289	256	227	203	267	775	775	775	140	305	584				

DIMENSIONS IN () ARE MILLIMETERS.

INST.100ADJ



Customer Service

1-877-671-7011

www.allegion.com



© Allegion 2014
Printed in U.S.A.
INST.100ADJ Rev. 01/14-b