



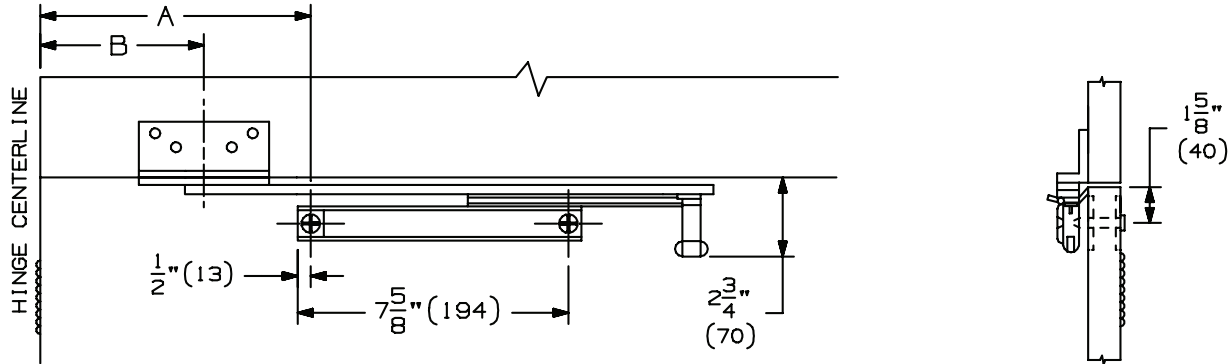
INST.81J

Surface Overhead Holder Angle Bracket (Push Side)

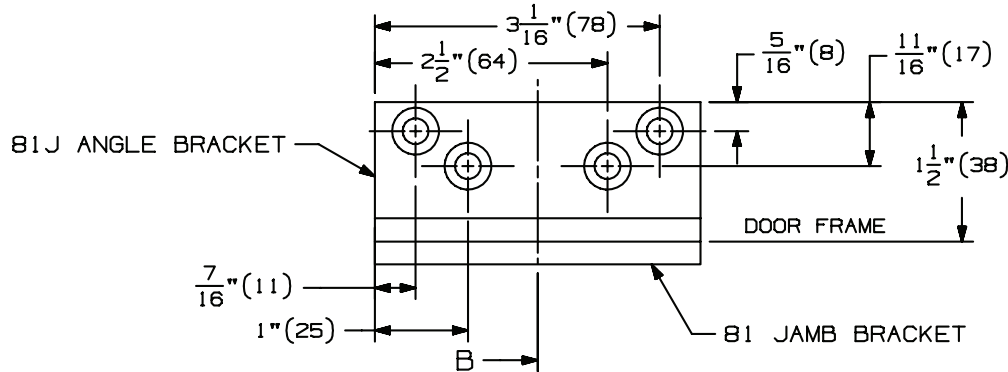
Installation Instructions

OVERHEAD HOLDERS OR STOPS MUST BE INSTALLED BEFORE CLOSERS.

- 1. A. FOLLOW STEP 1 FROM THE 81 SERIES SURFACE OVERHEAD HOLDER INSTALLATION TEMPLATE INST.81.



- 2. A. LOCATE "B" DIMENSION ON THE FACE OF THE FRAME OR ON THE FLUSH TRANSOM PANEL. NOTE THAT THE "B" DIMENSION IS MEASURED FROM THE CENTERLINE OF THE HINGE AS SHOWN.
- B. FOR METAL FRAMES, USE A #7 DRILL AND 1/4"-20 TAP IN 4 PLACES. FOR WOOD FRAMES, DRILL 3/16" PILOT HOLES IN 4 PLACES. MOUNTING HOLES SHOULD BE PREPARED IN THE FIELD.



- 3. A. LOCATE "A" DIMENSION ON THE DOOR. NOTE THAT THE "A" DIMENSION IS MEASURED FROM THE CENTERLINE OF HINGE AS SHOWN.
- B. DRILL THE 3/8" (10) DIAMETER THROUGH HOLES DOWN 1 5/8" (41) FROM THE FRAME OR FLUSH TRANSOM PANEL IN TWO PLACES. MOUNTING HOLES SHOULD BE PREPARED IN THE FIELD.
- 4. A. INSTALL ANGLE BRACKET ONTO STANDARD JAMB BRACKET WITH 1/4"-20 X 1/2" FPHMS PROVIDED WITH THE ANGLE BRACKET.
- B. INSTALL THE CHANNEL ON THE DOOR WITH THE SHOCK SPRING TOWARDS THE HINGE EDGE OF DOOR.

SCREW DETAILS

	QTY	WOOD	METAL
ANGLE	4	1/4"-20 X 1/2" FPHMS	1/4"-20 X 1/2" FPHMS
JAMB	4	#14 X 1 1/2" FPHSMS	1/4"-20 X 3/4" FPHMS
DOOR	2	1/4"-20 X 1 1/4" OPHMS	1/4"-20 X 1 1/4" OPHMS
DOOR	2	1/4"-20 X 2 1/2" SEX BOLT	1/4"-20 X 2 1/2" SEX BOLT

NOTE: DIMENSIONS IN () ARE IN MILLIMETERS



INST.81J

Customer Service
 1-877-671-7011 www.allegion.com/us

