



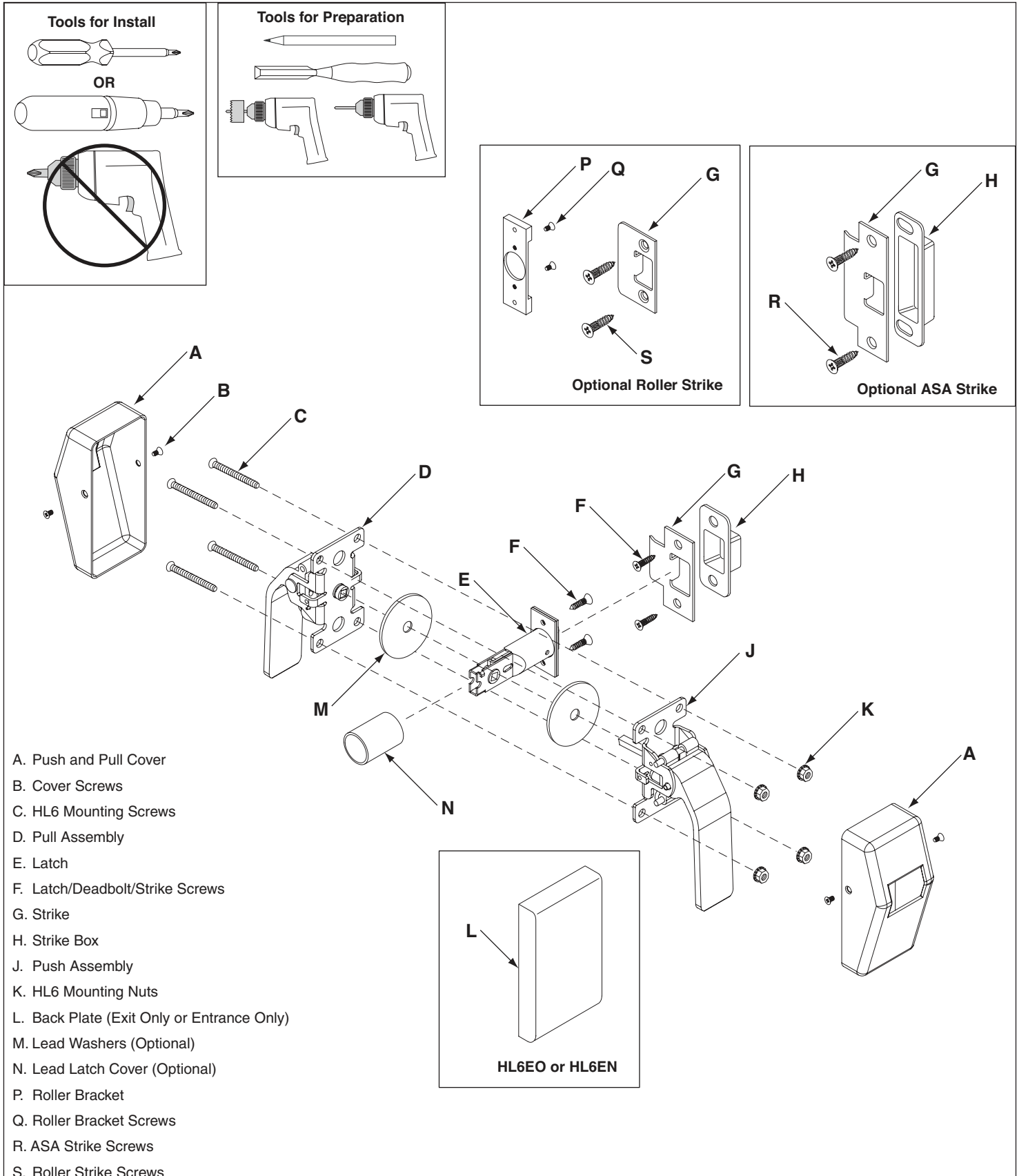
829694-00

HL6

GLYNN-JOHNSON

Push/Pull Latch

Installation Instructions



Tools for Install

OR

Tools for Preparation

Optional Roller Strike

Optional ASA Strike

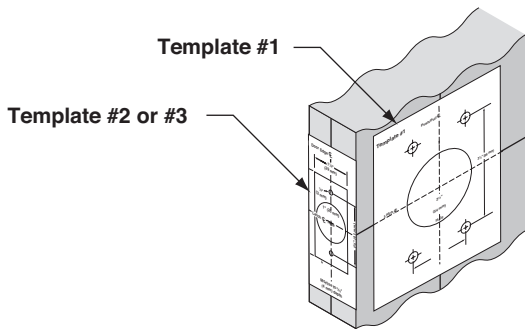
- A. Push and Pull Cover
- B. Cover Screws
- C. HL6 Mounting Screws
- D. Pull Assembly
- E. Latch
- F. Latch/Deadbolt/Strike Screws
- G. Strike
- H. Strike Box
- J. Push Assembly
- K. HL6 Mounting Nuts
- L. Back Plate (Exit Only or Entrance Only)
- M. Lead Washers (Optional)
- N. Lead Latch Cover (Optional)
- P. Roller Bracket
- Q. Roller Bracket Screws
- R. ASA Strike Screws
- S. Roller Strike Screws

HL6EO or HL6EN

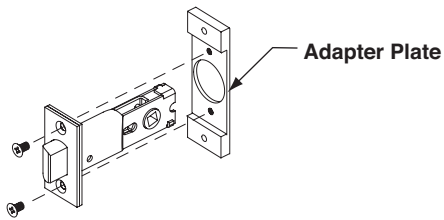
Install Latch

1 Use Templates from Back Page to Check Holes

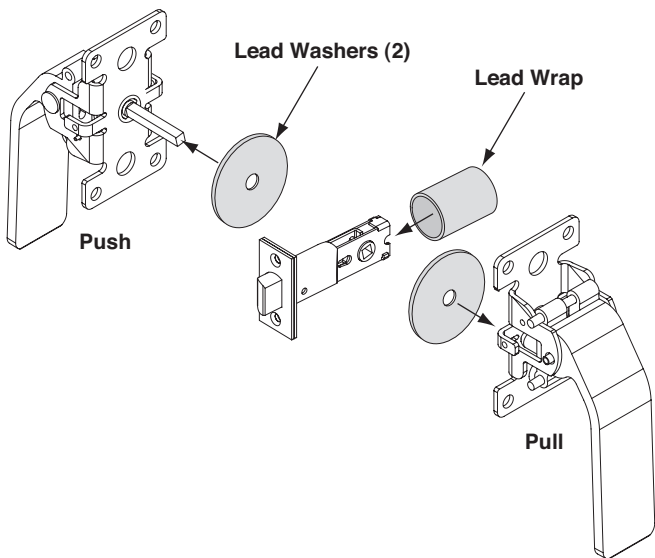
NOTE: If door holes do not match template, see Door Preparation section on back page.



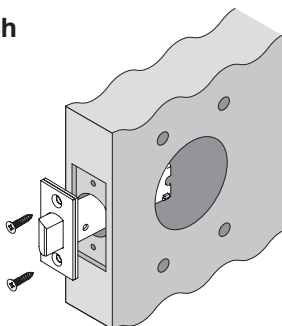
2 For HL6RL (Roller Strike) ONLY, Install Adapter Plate



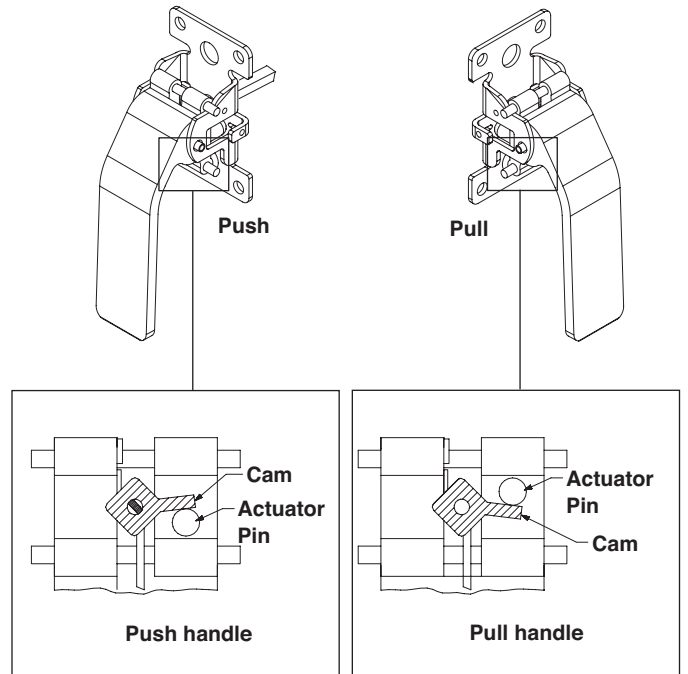
3 For HL6L (Lead Lined) ONLY, Install Lead Lining



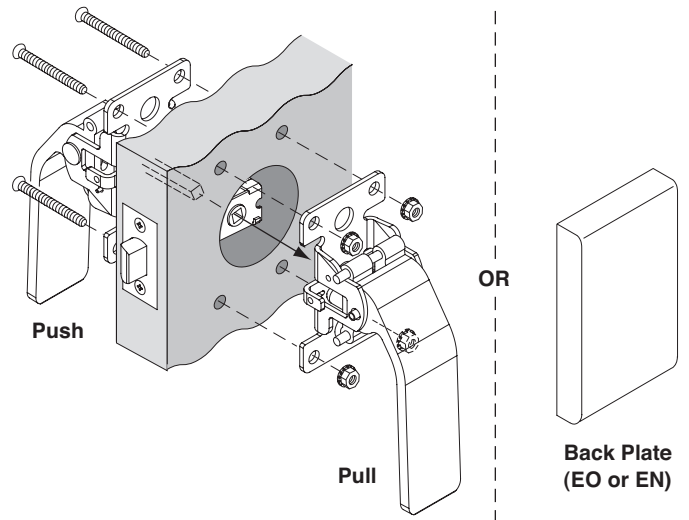
4 Install Latch



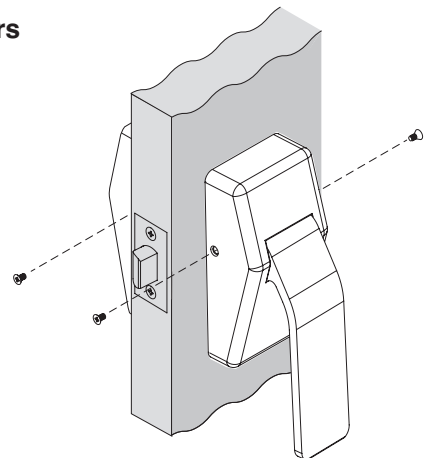
5 Position Cams as Shown



6 Install Push Lever and Pull Lever

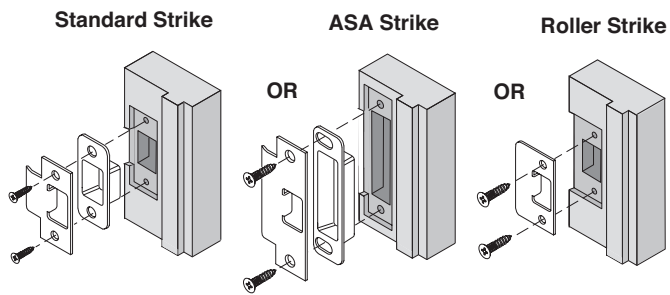


7 Install Covers



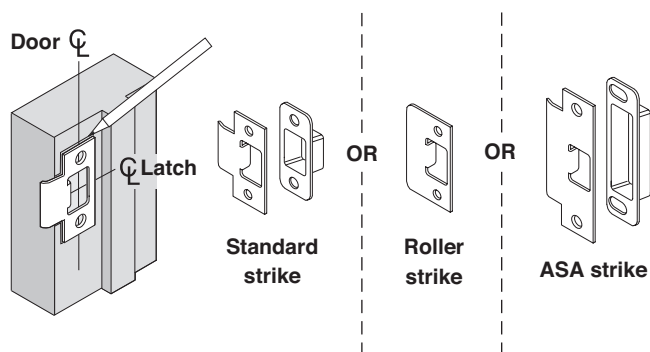
8 Install Strike

NOTE: If frame not prepared, see Frame Preparation below.



Frame Preparation

1 Use Strike as a Pattern to Mark Frame



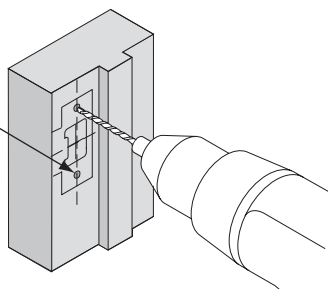
2 Drill Holes

Standard

Wood - #32 Pilot Drill
Metal - #29 Drill, #8-32 Tap

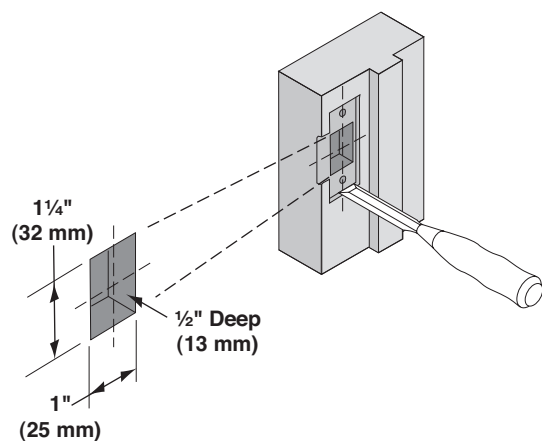
ASA Strike or Roller Strike

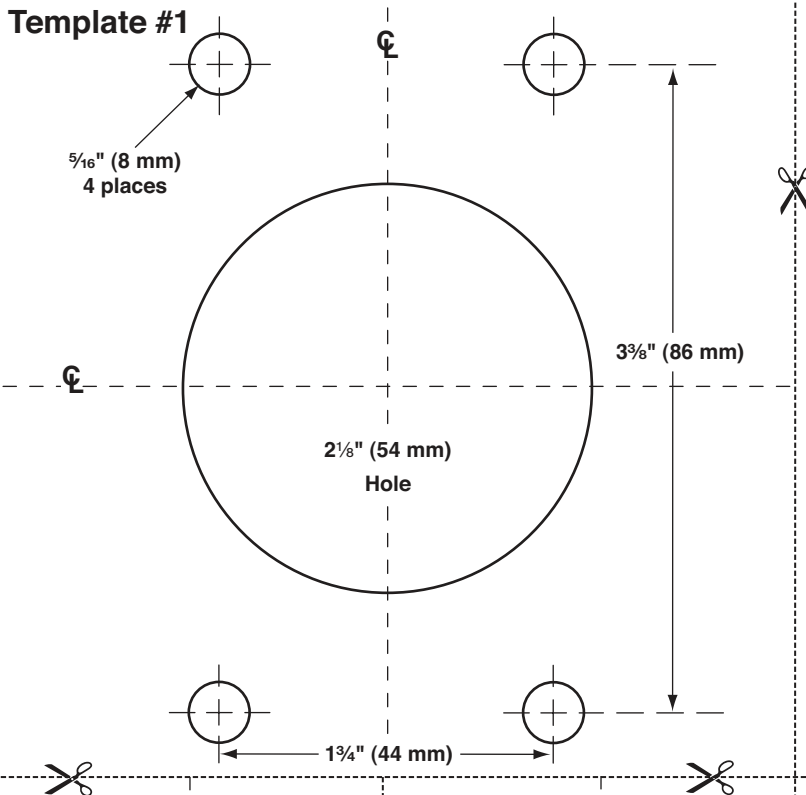
Wood - $\frac{1}{8}$ " (3mm) Pilot Drill
Metal - #17 Drill, #12-24 Tap



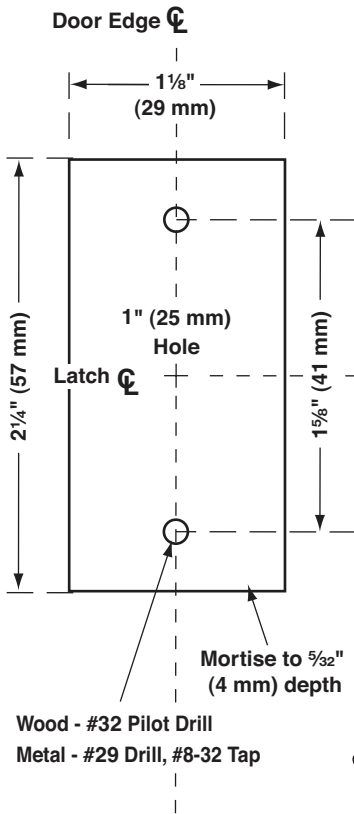
3 Mortise for Strike

NOTE: Strike should be flush to frame.

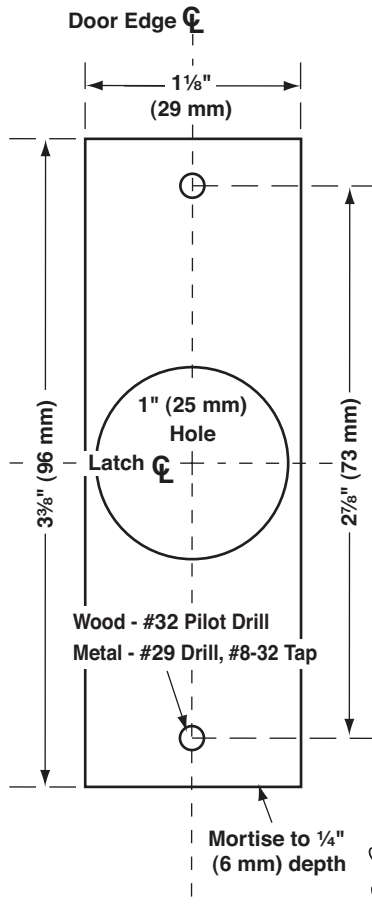




Template #2
(standard latch)

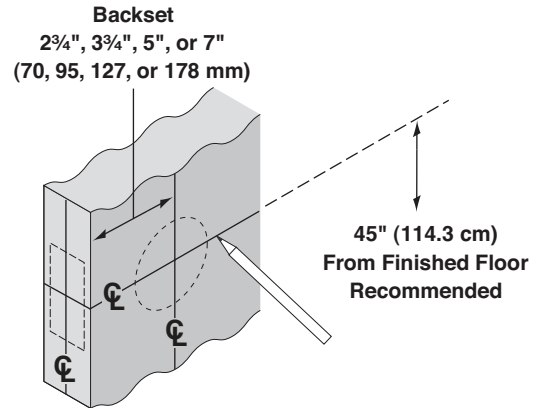


Template #3
(latch with roller adapter)

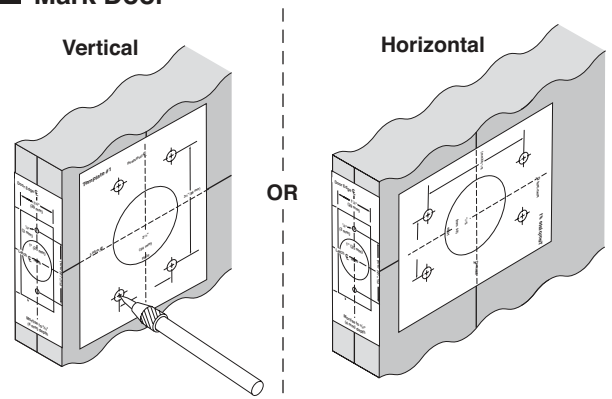


Door Preparation

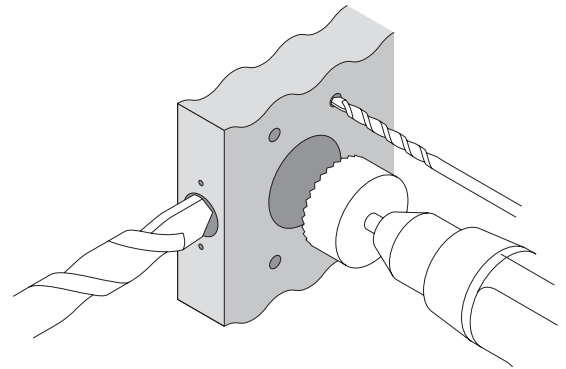
1 Mark Center Lines (CL)



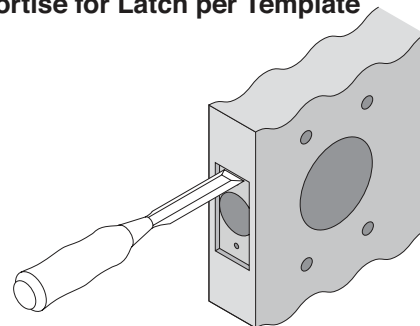
2 Mark Door



3 Drill Holes per Template



4 Mortise for Latch per Template



Customer Service

1-877-671-7011 www.allegion.com



© Allegion 2014
Printed in U.S.A.
829694-00 Rev. 01/14-c