



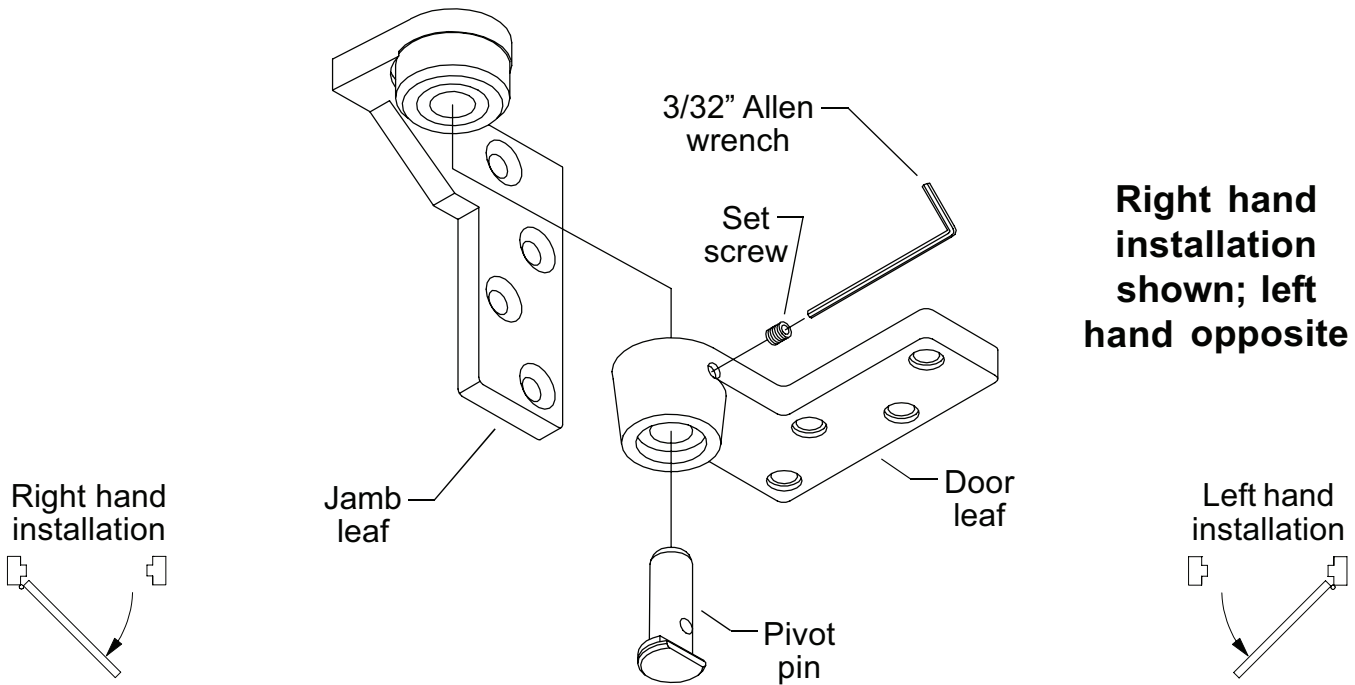
31582-00

# 7212V

# IVES®

3/4" Offset Jamb Mount Top Pivot

Installation Instructions



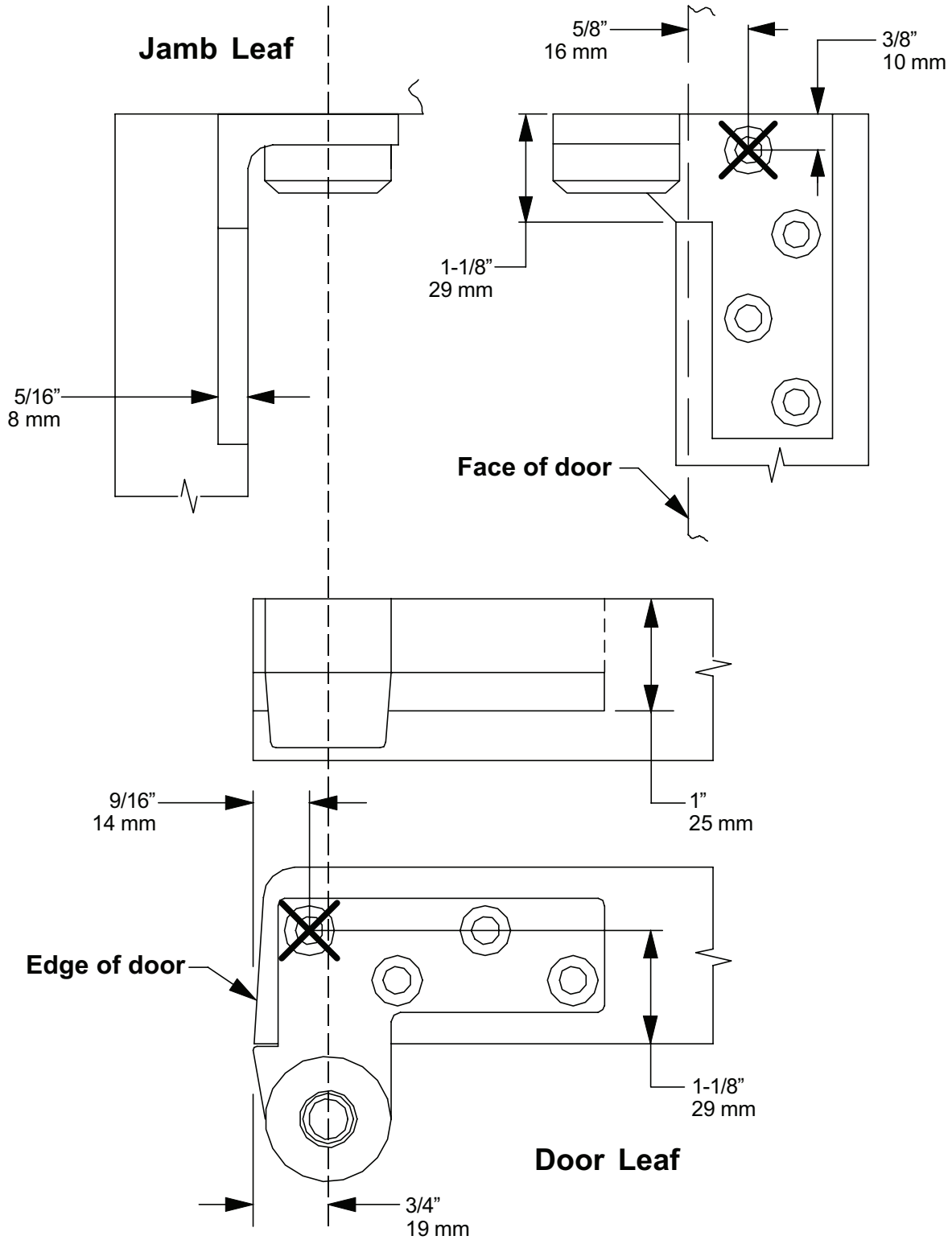
1. Prepare and mortise top of door and side jamb to receive pivot set. Determine pivot location using dimensions on reverse side. The pivots are handed. To determine hand of door and proper pivot position, see diagrams above.
2. Locate, drill, and tap 1/4-20 mounting holes for metal door or metal frame. Locate and drill pilot holes for #14 wood screws for wood door or wood frame. Install pivot leaves with 1/4-20 x 3/4" FHMS or #14 FHWS screws provided.
3. Loosen set screw in pin leaf with 3/32" Allen wrench provided and remove pivot pin.
4. With door in open position (about 90° to jamb), carefully fit door onto bottom pivot at a slight angle. Tip door into vertical position, **aligning top pivot leaves in door and jamb**. With pivot leaves aligned, insert pivot pin into pivot set. **Vertically align groove in pivot pin with set screw in pivot leaf**. Tighten set screw securely with 3/32" Allen wrench.
5. To remove door from jamb: Use 3/32" Allen wrench to loosen set screw in door pivot leaf.
6. Pull pivot pin out of pivots. Door can now be removed from opening.

### ⚠ CAUTION ⚠

Improper pivot set installation can lead to personal injury or property damage. Follow all instructions carefully. For questions contact Technical Support at 1-877-671-7011.

**NOTE**

It is very important for installer to verify that center line of top pivot point lines up with center line of bottom pivot point before final installation.  
Heel edge of door must be beveled  $\frac{1}{8}$ " in 2" as shown below.



Customer Service

1-877-671-7011 www.allegion.com/us



© Allegion 2014  
Printed in U.S.A.  
31582-00 Rev. 01/14-b