



7226/26F

IVES®

26360-00

3/4" Offset Bottom Pivot

Installation Instructions

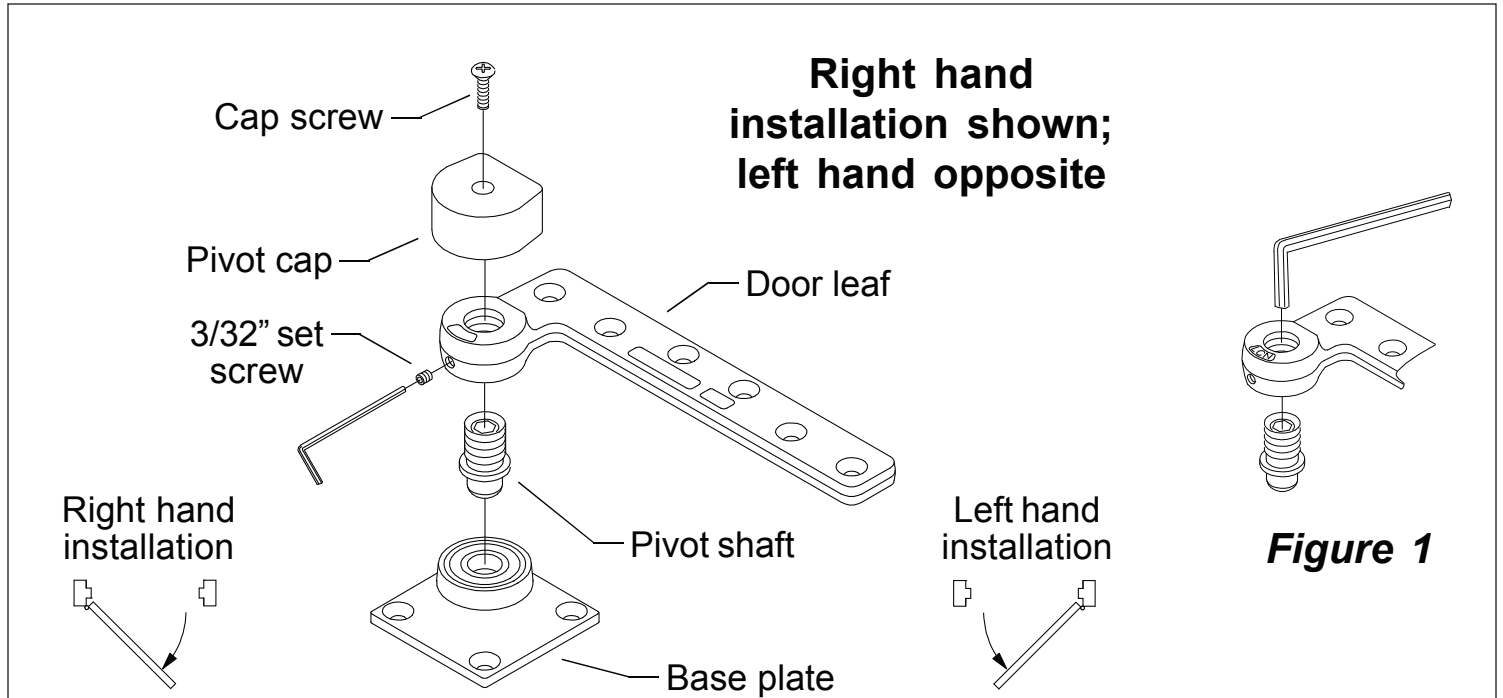


Figure 1

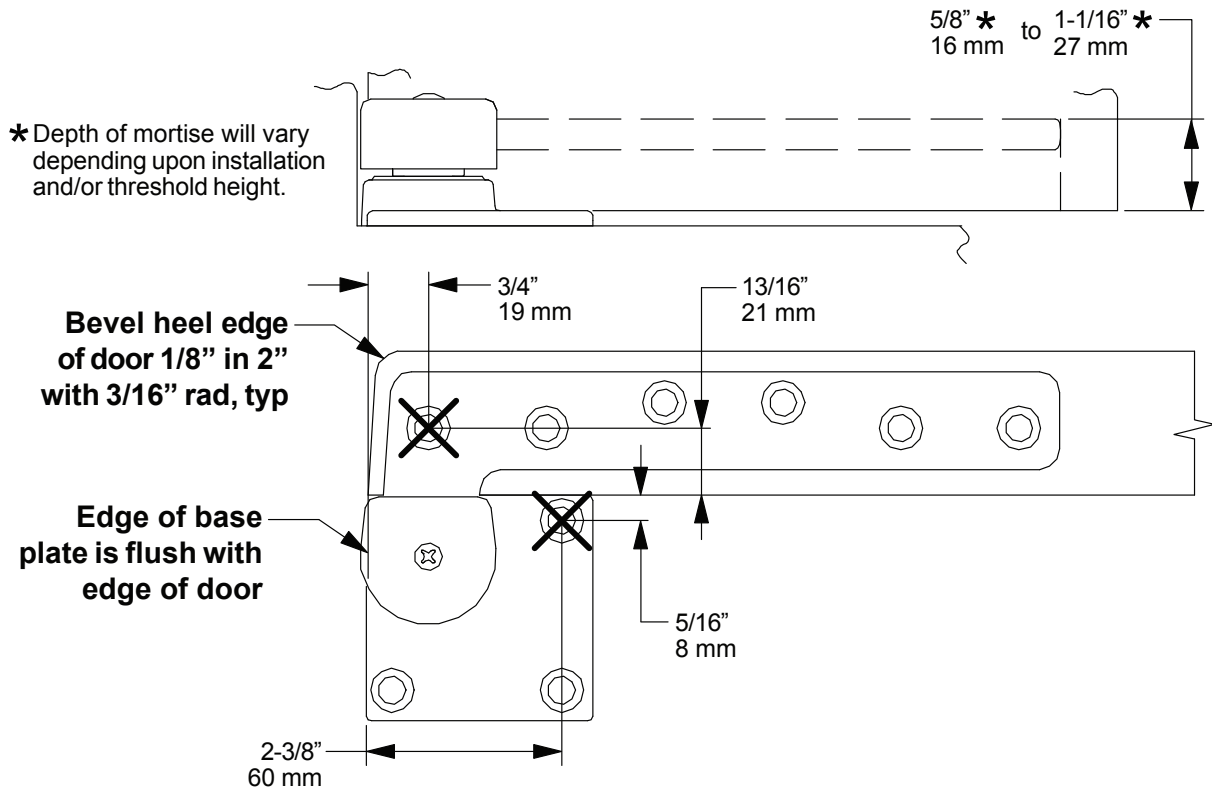
1. Prepare and mortise bottom of door and floor to receive pivot set. Determine pivot location using dimensions on reverse side. **Be sure to properly locate and mark pivot center point of the base plate.** The bottom pivot set is non-handed. The pivot shaft will thread into either side of door leaf. To determine hand of door, see diagrams above.
2. Prepare bottom of door: Locate, drill, and tap 1/4-20 mounting holes for metal door. Locate and drill pilot holes for #14 wood screws for wood door. Mount door leaf in bottom of door with 1/4-20 x 3/4" FHMS or #14 FHWS screws provided. Drill 1/2" dia. x 3/4" deep holes for base plate mounting. Insert and secure anchor pins, then mount base plate to floor with screws provided.
3. At this point, hang door. Refer to instruction sheet packed with top pivot for details.
4. If height adjustment is necessary for proper door clearance, adjust bottom pivot as follows:
 - a. Loosen set screw using 3/32" Allen wrench provided (see diagram above).
 - b. Use 5/16" Allen wrench to adjust pivot shaft height as needed (Figure 1).
 - c. Tighten set screw firmly.
5. Fasten pivot cap as shown. Secure with cap screw.

⚠ CAUTION ⚠

Improper pivot set installation can lead to personal injury or property damage. Follow all instructions carefully. For questions contact Technical Support at 1-877-671-7011.

⚠ NOTE ⚠

It is very important for installer to verify that center line of top pivot point lines up with center line of bottom pivot point before final installation.
Heel edge of door must be beveled $1/8''$ in $2''$ as shown below.



**Right hand installation shown;
left hand opposite**

Customer Service

1-877-671-7011 www.allegion.com/us



© Allegion 2014
Printed in U.S.A.
26360-00 Rev. 01/14-c