



829167-00

# E91105F

# IVES

PT Pocket Pivot

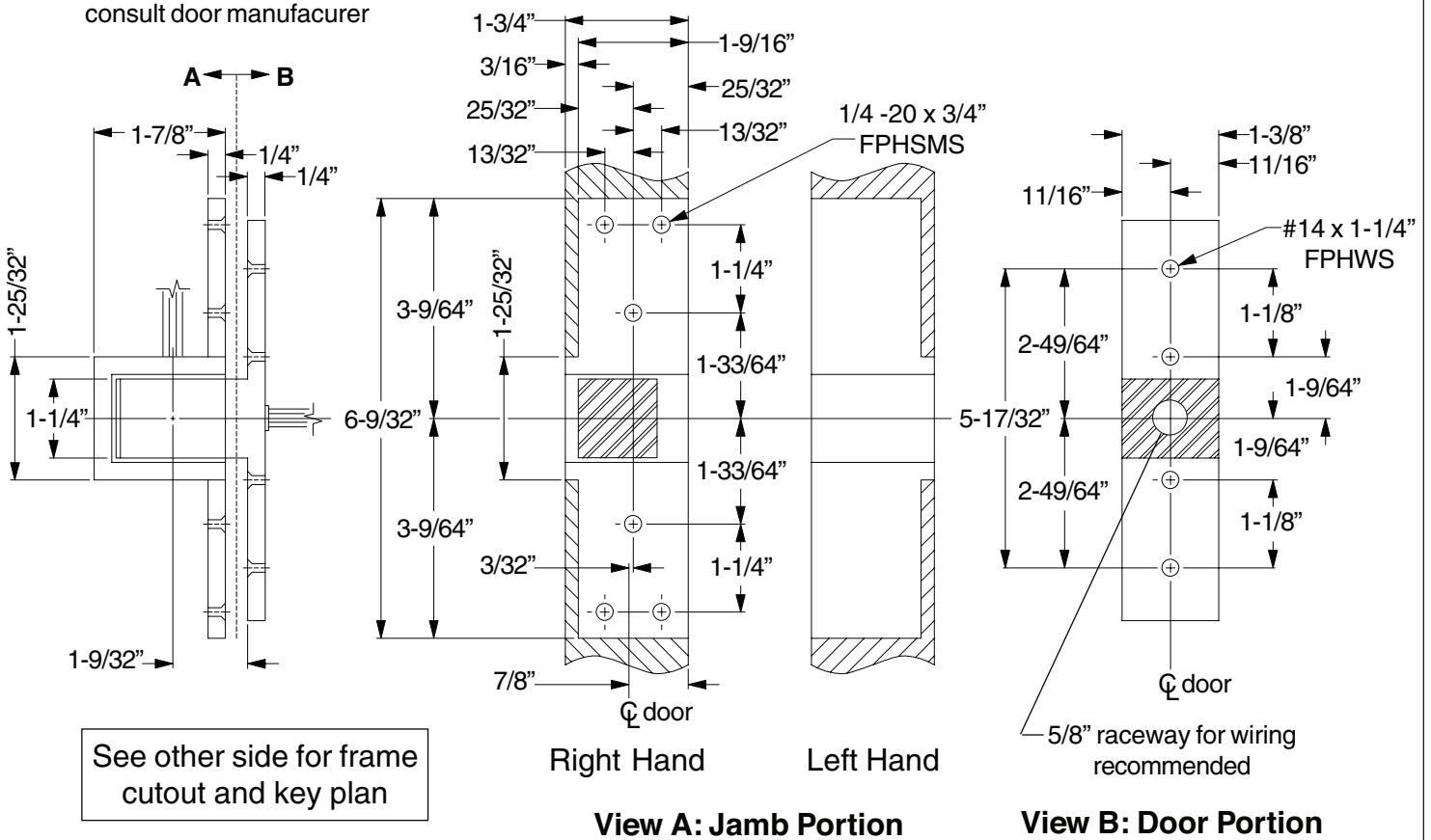
Installation Instructions

1. Prepare door and frame using the preparation information shown. Drill and deburr 1/2" dia. access holes for wiring. Be sure door is installed on top and bottom pivots and swings freely before proceeding.
2. Do not separate pivot leaves. Pivot must be installed assembled. Disassembling pivot leaves will void the warranty.
3. Attach wires per project wiring diagrams. Terminate wire connections with appropriate crimp splices or wire nuts. Staggering the terminations is recommended for easier insertion of wires through the prepped hole in frame. Insulate ends of all unused wires. After all connections are completed, carefully fit wires through prepped hole in frame, making sure that wires will not be cut or pinched.

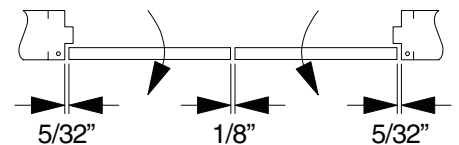
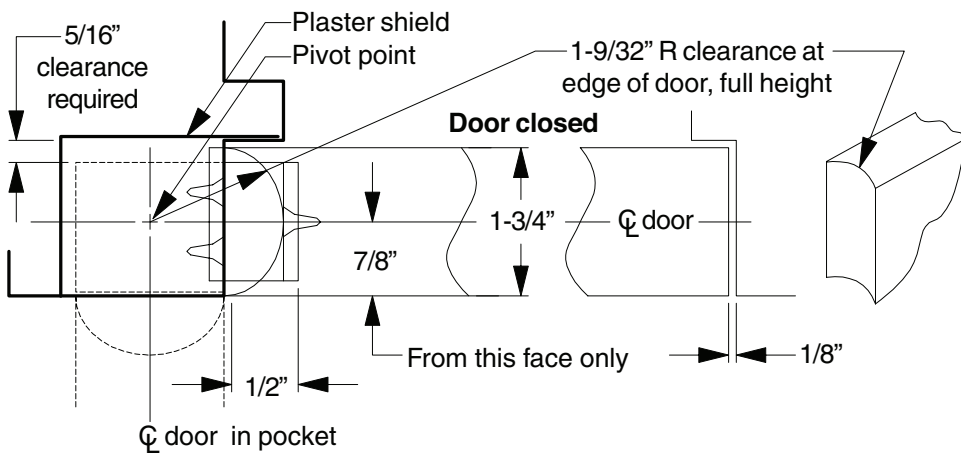
**⚠ CAUTION ⚠**  
 Improper pivot set installation can lead to personal injury or property damage. Follow all instructions carefully. For questions contact Technical Support at 1-877-671-7011.

## Wood Door, Metal Frame

Note: For wood fire door consult door manufacturer



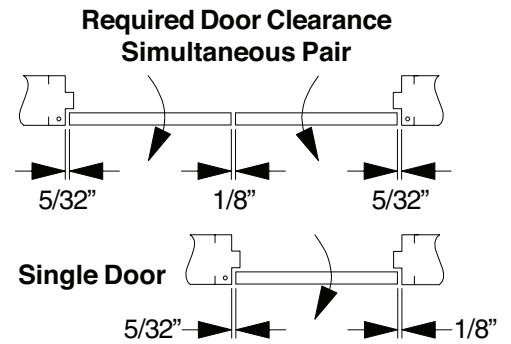
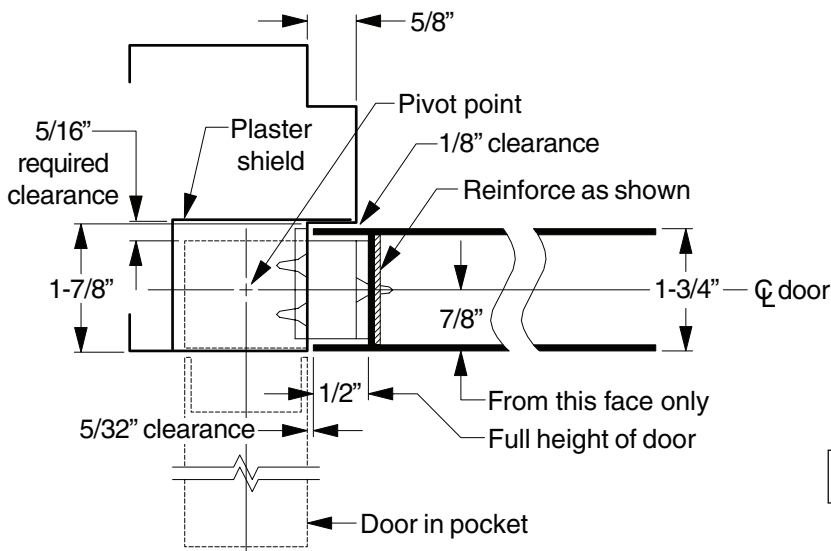
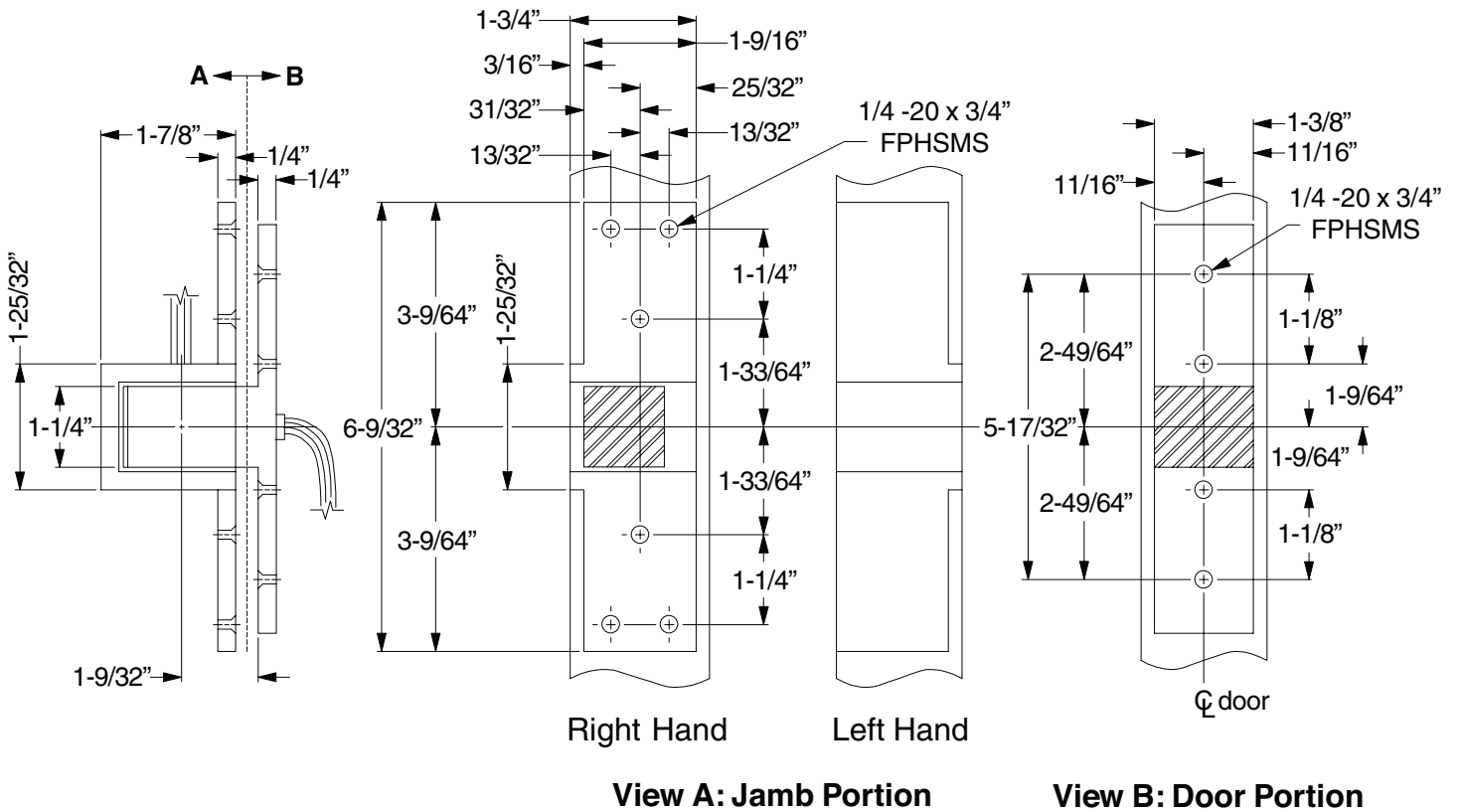
See other side for frame cutout and key plan



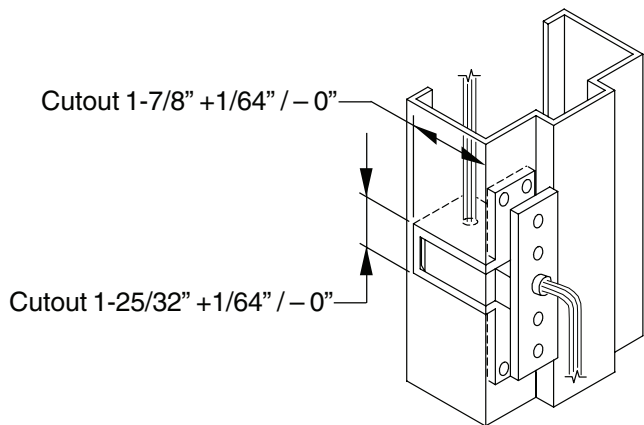
**Required Door Clearance Simultaneous Pair**

**⚠ NOTE ⚠**  
 UL listed for 20 minute doors.

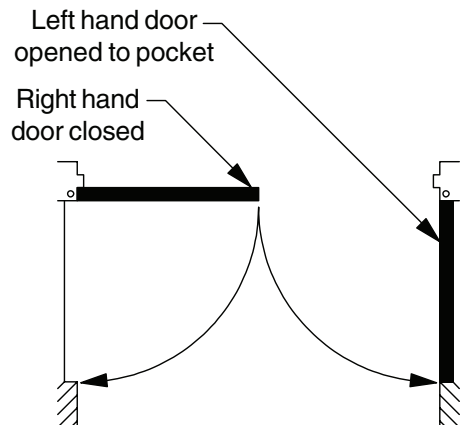
# Metal Door, Metal Frame



See below for frame cutout and key plan



**Frame Cutout**



**Key Plan (pairs of doors)**

**Customer Service**

1-877-671-7011 www.allegion.com/us

