

IVES®

Rescue hardware

Overview

Ives rescue hardware was specifically designed to address a problem often encountered by healthcare professionals—a blocked doorway caused by an incapacitated patient.

Used in conjunction with center hung pivots, rescue hardware allows a bi-directional door swing in emergency situations. When a patient becomes trapped behind an inward swinging door, the center tong depresses allowing the door to swing in the opposite direction without causing damage to the frame.

As a valuable element in patient room restrooms, utility closets, and small spaces in hospitals, institutions, and convalescent homes, rescue hardware is composed of:

- Rescue strike
- Emergency stop
- Emergency stop strikes
- Emergency stop assemblies



Features and benefits

- Meets ANSI/BHMA standard
- Stainless finishes
- Center or offset mounting styles
- 2 frame width options
- Used in conjunction with center hung pivots
- Fits nominal 7" and 8" wide frames

Configurations

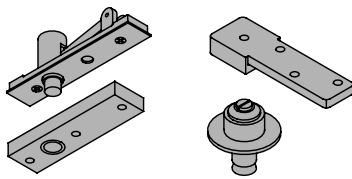
- Available as emergency strike in the following sizes: 7" center, 8" center, 7" offset, and 8" offset strikes
- Available with emergency release and strike in the following sizes: 7" center, 8" center, 7" offset, and 8" offset
- Must be used with center hung pivot, Ives models: 7253, 7255, 7255J, 7256, and 7259

Specifications

	Length	Description
Rescue strike only	7"	Center rescue strike (double lip strike - 6.75 x 2.75)
		Offset rescue strike (double lip strike - 6.75 x 2.75)
	8"	Center rescue strike (double lip strike - 7.75 x 2.75)
		Offset rescue strike (double lip strike - 7.75 x 2.75)
Emergency stop strikes	7"	Center emergency strike (double lip strike - center - 6.75 x 2.75)
		Offset emergency strike (double lip strike - center - 6.75 x 2.75)
	8"	Center emergency strike (double lip strike - center - 7.75 x 2.75)
		Offset emergency strike (double lip strike - center - 7.75 x 2.75)
Emergency stop assemblies (includes strike and latch assembly)	7"	Stop assembly and double lip strike - center - 6.75 x 2.75
		Stop assembly and double lip strike - offset - 6.75 x 2.75
	8"	Stop assembly and double lip strike - offset - 7.75 x 2.75
		Stop assembly and double lip strike - center - 7.75 x 2.75
Emergency stop latch assembly (no strike)	0	Emergency stop latch assembly

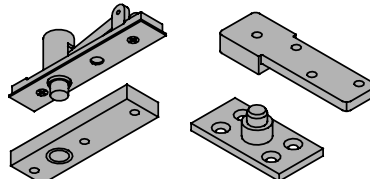
Note: All products in finish 630, US32D

Ives center hung pivots complete the rescue hardware solution



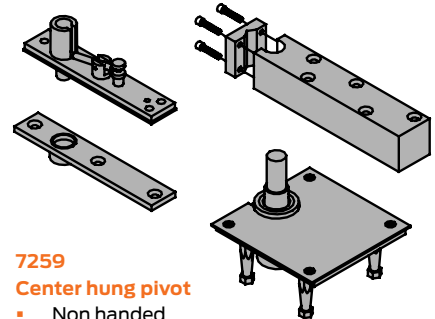
7253 Center hung pivot

- Non handed
- Top, header mount
- Bottom, base plate mount
- Easy installation tilt on bearing and bearing pin
- Use with 1³/₄" minimum door thickness
- Adjustable floor to door clearance ³/₁₆" to ³/₄"
- Maximum door load 300 pounds
- Vertical adjustment range ³/₁₆", with positive locking



7255 Center hung pivot

- Non handed
- Top, header mount
- Bottom, base plate mount
- Easy installation tilt on bearing and bearing pin
- Use with 1³/₄" minimum door thickness
- Adjustable floor to door clearance ³/₁₆" to ³/₄", consult factory if greater than ³/₄"
- Maximum door load 500 pounds
- Vertical adjustment range ³/₁₆", with positive locking



7259 Center hung pivot

- Non handed
- Top, header mount
- Bottom, base frame mount
- Easy installation tilt on bearing and bearing pin
- Use with 2" minimum door thickness
- Adjustable floor to door clearance ³/₁₆" to ³/₄", consult factory if greater than ³/₄"
- Maximum door load 1,000 pounds
- Vertical adjustment range ³/₁₆", with positive locking

Note: Please refer to the IVES full line catalog for additional information.

About Allegion

Allegion (NYSE: ALLE) creates peace of mind by pioneering safety and security. As a \$2 billion provider of security solutions for homes and businesses, Allegion employs more than 8,000 people and sells products in more than 120 countries across the world. Allegion comprises 25 global brands, including strategic brands CISA®, Interflex®, LCN®, Schlage® and Von Duprin®. For more, visit www.allegion.com.