

**A**  
Hinges & Pivots

**B**  
Pulls & Plates

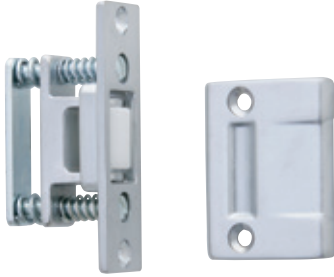
**C**  
Flush Bolts & Coordinators

**D8**  
Latches, Catches & Bolts

**E**  
Stops

**F**  
Exterior Hardware

**G**  
Miscellaneous Hardware



Meets ANSI/BHMA A156.16, E19091

### RL30 Roller Latch

- Actuation is simple, closing of the door causes the roller to fall in the depression of the strike, thereby holding the door closed.
- The projection of the roller is easily adjusted using adjusting screws on the face of the unit.
- Maximum projection of the roller is 3/8" allowing for variance in the door clearance.
- Nylon Roller Standard.
- Forged Brass Construction.
- Optional Strike—A—ASA.
- Optional—F — Brass Roller, must be ordered separately.

#### Dimensions

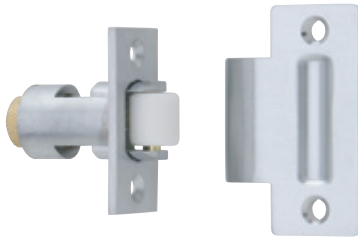
Body: 1" Wide x 3-3/8" High x 1-11/16" Deep

Strike: 1-11/16" Wide x 2-1/4" High x 5/32" Thick, Lip to Center- 1-5/16"

Optional ASA Strike: 1-1/4" Wide x 4-7/8" High x 3/32" Thick, Lip to Center- 1-1/4"

#### Finishes *brass*

Ives Number	US3	US4	US10	US10B	US26	US26D
BHMA	605	606	612	613	625	626



Meets ANSI/BHMA A156.16, E19091

### RL32 Roller Latch

- Actuation is simple, closing of the door causes the roller to fall in the depression of the strike, thereby holding the door closed.
- The projection of the roller is easily adjusted by turning knurled knob on back of latch.
- Maximum projection of the roller is 1/2" allowing for variance in the door clearance.
- Fits heavy-duty cylindrical lock cutout.
- Nylon Roller Standard.
- Non-handed.
- Brass Construction.
- Optional Strike—A—ASA.

#### Dimensions

Body: 1-1/8" Wide x 2-1/4" High x 2-1/4" Deep

Strike: 1-1/8" Wide x 2-3/4" High x 3/32" Thick, Lip to Center- 1-1/4"

Optional ASA Strike: 1-1/4" Wide x 4-7/8" High x 3/32" Thick, Lip to Center- 1-1/4"

#### Finishes *brass*

Ives Number	US3	US4	US10	US10B	US26	US26D
BHMA	605	606	612	613	625	626



Meets ANSI/BHMA A156.16, L57082

**RL36 Roller Latch**

- Actuation is simple, closing of the door causes the roller to fall in the depression of the strike, thereby holding the door closed.
- The projection of the roller is easily adjusted by turning slotted screw on back of latch.
- Maximum projection of the roller is 5/16" allowing for variance in the door clearance.
- Fits cylindrical lock cutout.
- Nylon Roller.
- Non-handed.
- Stainless Steel Construction.
- Optional Strike—A—ASA.

**Dimensions**

Body: 1" Wide x 2-1/4" High x 2" Deep

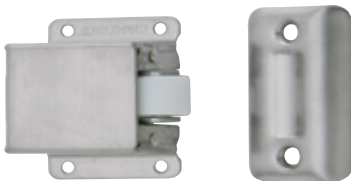
Strike: 1-1/8" Wide x 2-3/4" High x 3/32" Thick, Lip to Center- 1-1/4"

Optional ASA Strike: 1-1/4" Wide x 4-7/8" High x 3/32" Thick, Lip to Center- 1-1/4"

**Finishes** *Stainless Steel*

Ives Number US32D

BHMA 630



Meets ANSI/BHMA A156.16, L27092

**RL38 Roller Latch**

- Actuation is simple, closing of the door causes the roller to fall in the depression of the strike, thereby holding the door closed.
- The projection of the roller is easily adjusted by turning slotted screw.
- Maximum projection of the roller is 3/8" allowing for variance in the door clearance.
- Nylon Roller.
- Non-handed.
- Stainless Steel Construction.

**Dimensions**

Body: 1-3/8" Wide x 2" High x 7/8" Deep

Strike: 1" Wide x 2-1/8" High x 3/8" Deep

**Finishes** *Stainless Steel*

Ives Number US32D

BHMA 630

A  
Hinges & Pivots

B  
Pulls & Plates

C  
Flush Bolts & Coordinators

D9  
Latches, Catchers & Bolts

E  
Stops

F  
Exterior Hardware

G  
Miscellaneous Hardware

**A**  
Hinges & Pivots

**B**  
Pulls & Plates

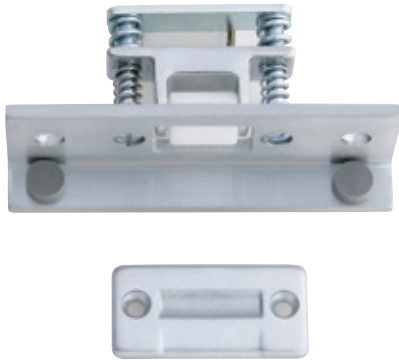
**C**  
Flush Bolts & Coordinators

**D10**  
Latches, Catches & Bolts

**E**  
Stops

**F**  
Exterior Hardware

**G**  
Miscellaneous Hardware



Meets ANSI/BHMA A156.16, E19111

### RL1152

### Roller Latch

- Combination of RL30 Roller Latch and Angle Stop.
- Actuation is simple, closing of the door causes the roller to fall in the depression of the strike, thereby holding the door closed.
- The projection of the roller is easily adjustable using adjusting screws on the face of the unit.
- Maximum projection of the roller is 3/8" allowing for variance in the door clearance.
- Nylon Roller Standard.
- Forged Brass Construction.
- Optional— F — Brass Roller, must be ordered separately.

### Dimensions

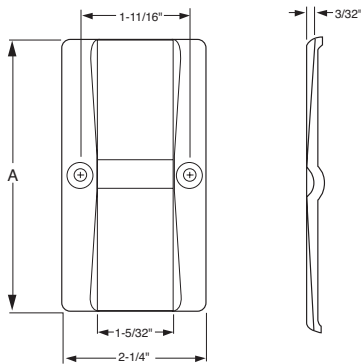
Body: 1-1/2" Wide x 4-1/2" High x 1-3/4" Deep with 3/4" Angle

Strike: 1-1/8" Wide x 2-1/4" High x 5/32" Thick

### Finishes

Ives Number	US3	US4	US10	US10B	US26	US26D
BHMA	605	606	612	613	625	626

## Optional Strike



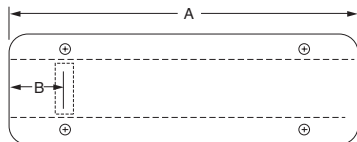
### STK685

### Strike

- Custom make strike for doors that swing both directions. For use with roller latches.
- Constructed of 3/32" brass.
- Dimple of strike centered on strike.
- Specify frame depth - A. Overall strike length will be A + 3/8" to accommodate 3/16" lip on each side

### Finishes

Ives Number	US3	US4	US10	US10B	US26	US26D
BHMA	605	606	612	613	625	626



### STK685L

### Strike

- Custom make strike for doors that swing both directions. For use with roller latches.
- Constructed of 3/32" brass.
- Location of strike dimple is variable. Please specify frame depth - A and location of dimple from edge of frame - B. Dimple will be located B + 3/16" to accommodate lip.
- Specify frame depth - A. Overall strike length will be A + 3/8" to accommodate 3/16" lip on each side

### Finishes

Ives Number	US3	US4	US10	US10B	US26	US26D
BHMA	605	606	612	613	625	626