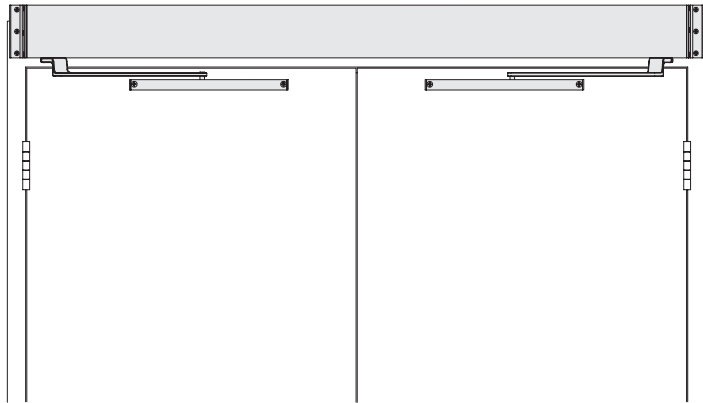


9550 SERIES

FEATURES

OPERATOR MOUNTS SIMULTANEOUS PAIR, SURFACE MOUNT *PULL SIDE PUSH SIDE DOUBLE EGRESS



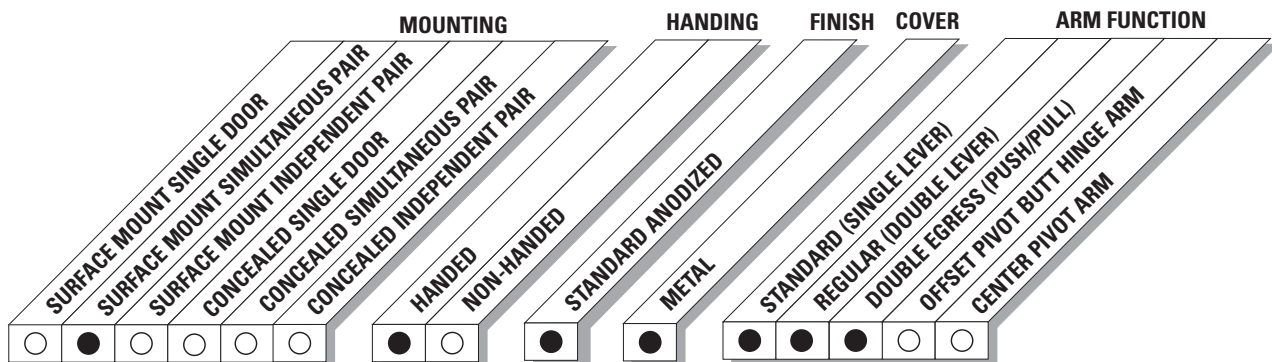
*PULL SIDE mount shown

The 9550 SENIOR SWING by LCN is an ADA door operator that is a two-in-one swing door operator. SENIOR SWING operators when activated, opens doors automatically for wheelchair access, yet allows for manual operation for regular pedestrian traffic.

- Push 'N Go permits non-switch activation.
- Power Boost provides additional latching force.
- Electromechanical unit with microprocessor control.
- Digital keypad for easy setup.
- Meets International Building Code requirements and ANSI A156.19.
- UL approved for fire doors.

9550 Series is fully compliant with UL 325 & UL 1998 and meets the provisions of ANSI A156.19. The 9550 Series is UL listed for fire-rated applications. The 9550 Series also meets the provisions of the Americans with Disabilities Act.

- 9550 Series operator is shipped with motor gearboxes, control box, arms, header, and mounting hardware. Actuators available separately, see pages 122-137.
- Simultaneous pair, surface mounted.
- Meets ADA requirements (power mode only).
- Handed product.
- Pull, Push or Double Egress applications available.
- 72" header length is standard. Specify other length 52" to 98". Consult factory regarding this option.
- Adjustable hold open period of 2 to 32 seconds in automatic or manual mode.

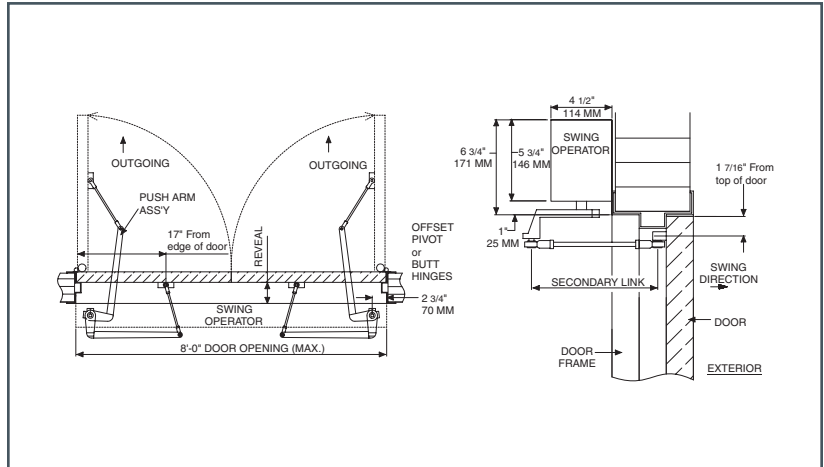


● AVAILABLE
○ NOT AVAILABLE

LCN 9550 SERIES

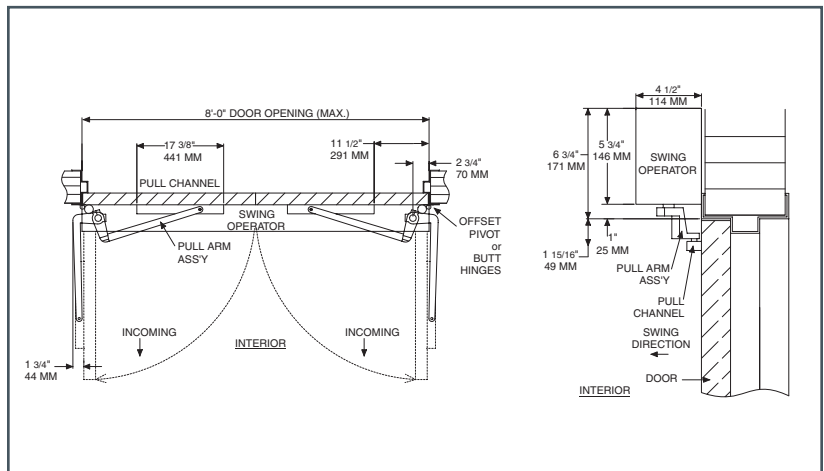
TOP JAMB SIMULTANEOUS PAIR (OFFSET PIVOT/BUTT HINGE, CENTER PIVOT, PUSH) MOUNTING

Consult factory for all balanced door installations.



TOP JAMB SIMULTANEOUS PAIR (OFFSET PIVOT/ BUTT HINGE, CENTER PIVOT, PULL) MOUNTING

NOTE: Cannot be used with swing clear hinges, pocket pivots or balanced doors.



MAXIMUM OPENING

Template allows 90 degree power opening and 90 degree manual opening.

- **Butt Hinges** should not exceed 5" (127 mm) in width.
- **Reveal for push** installations should not exceed 10" (254 mm) for REGULAR ARM and 20" (508 mm) for LONG ARM.
- **Reveal for pull** installations should not exceed 4" (102 mm).
- **Reveal** for double egress installations should not exceed 4" (102 mm).
- **Head Frame** minimum 1-3/4" (44 mm). Face frame 6-3/4" (171 mm) total operator clearance.
- **Top Rail** minimum 2-3/4" (70 mm).
- **Opening & Closing Time** are variable by adjustments to the electronic control box. Maximum hold open time adjustable up to approximately 32 seconds.
- **System Diagram** see "AUTOMATIC OPERATORS" section pages 53 for typical system wiring and page 56 for electrical data.

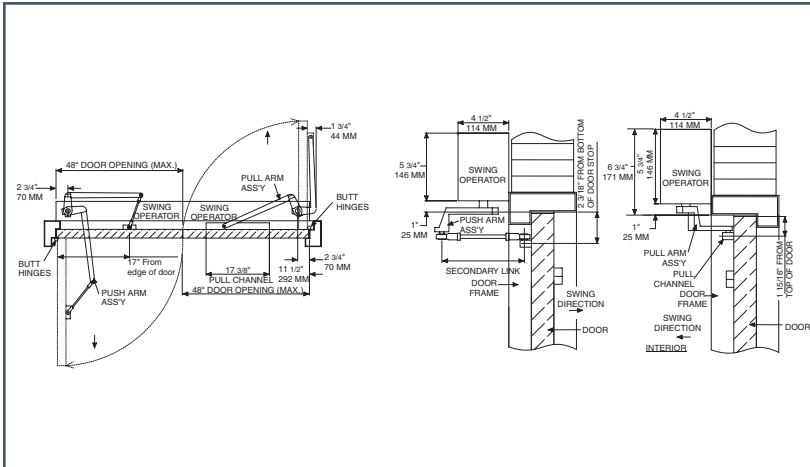
Contact LCN Product Support for installation assistance.

9550 SERIES

MOUNTING DETAILS

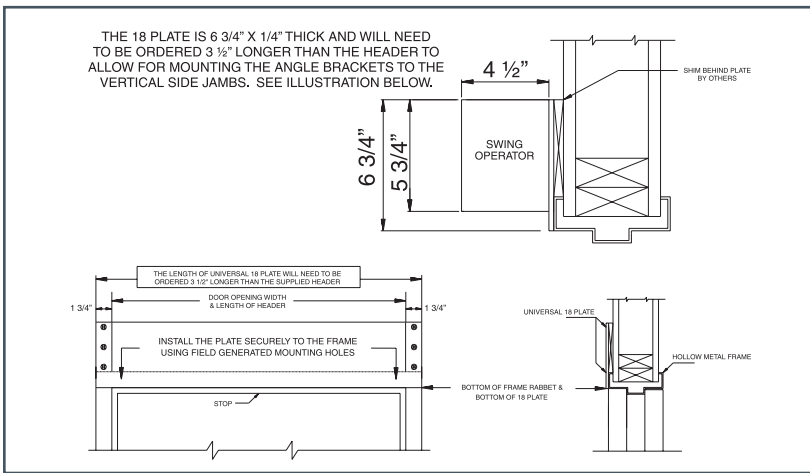
TOP JAMB SIMULTANEOUS PAIR (RH DOUBLE EGRESS) MOUNTING

Double egress applications with safety sensors require LCN 9560 series.
 NOTE: Cannot be used with swing clear hinges, pocket pivots or balanced door.



HOLLOW METAL FRAME

Suggested Installation.



MAXIMUM OPENING

Template allows 90 degree power opening and 90 degree manual opening.

- **Butt Hinges** should not exceed 5" (127 mm) in width.
- **Reveal for push** installations should not exceed 10" (254 mm) for REGULAR ARM and 20" (508 mm) for LONG ARM.
- **Reveal for pull** installations should not exceed 4" (102 mm).
- **Reveal for double egress** installations should not exceed 4" (102 mm).
- **Head Frame** minimum 1-3/4" (44 mm). Face frame 6-3/4" (171 mm) total operator clearance.
- **Top Rail** minimum 2-3/4" (70 mm).
- **Opening & Closing Time** are variable by adjustments to the electronic control box. Maximum hold open time adjustable up to approximately 32 seconds.
- **System Diagram** see "AUTOMATIC OPERATORS" section pages 53 for typical system wiring and page 56 for electrical data.

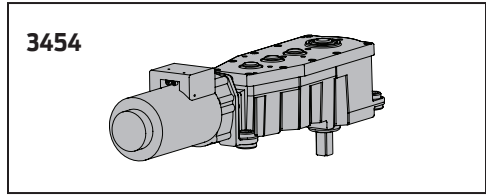
Contact LCN Product Support for installation assistance.

9550 SERIES

MOTOR GEARBOX

MOTOR GEARBOX – SENIOR SWING, 9550-3454

Driving mechanism for operator. Provides 15 lbs opening force. Handed.



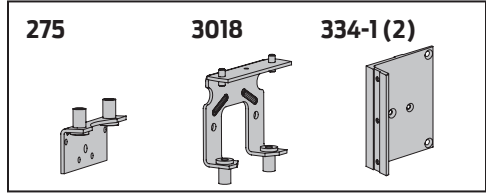
MOUNTING BRACKETS

MOUNTING BRACKET – 2-3/4", 9550-275

Motor gearbox mounting bracket for 2-3/4" offset pivot or butt hinge installations. Front bracket.

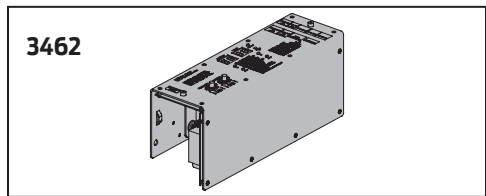
REAR MOUNT BRACKET, 9550-3018

Motor gearbox mounting bracket. Rear bracket.



ANGLED BRACKET, 9550-334-1

Mounting bracket for surface applications. (Includes 2 mounting brackets).



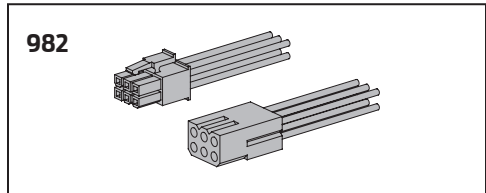
CONTROL BOXES

CONTROL BOX – SENIOR SWING, 9550-3462

Electronic controlling device for Senior Swing.

COMPANION CABLE, 9550-982

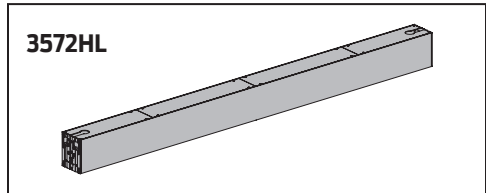
Cable that allows one control box to run two motor gear boxes. Companion cable. For use with Senior Swing.



HEADERS

HEADER, 9550-3572HL

Standard, mounting header. Pair door, two operators. Specify length 52" to 98" maximum.



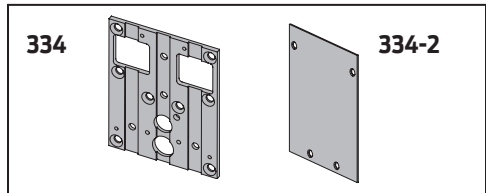
END CAPS

HEADER ENDCAPS, 9550-334

End cap with openings for wiring.

END DRESS PLATE, 9550-334-2

Metal finish end cap.



9550 SERIES

ARMS

STANDARD ARM ASSEMBLY, 9550-3077PLCM

Handed arm. (Includes 3077 regular arm assembly, 3038 track, and 3034 track roller).

REGULAR ARM ASSEMBLY, 9550-3077

Handed arm. (Includes 77 main arm assembly and 79 linkage assembly).

REGULAR LONG ARM ASSEMBLY, 9550-3077L

Handed arm. (Includes 77 main arm assembly and 79LR linkage assembly).

STANDARD ARM, 9550-3077T

Handed arm. Track roller not included.

MAIN ARM, 9550-77

Handed arm attaches to motor gearbox.

LINKAGE ASSEMBLY – 15", 9550-79

Threaded rod attaches to door. Extends from main arm.

LINKAGE ASSEMBLY – 32", 9550-79LR

Threaded long rod attaches to door. Extends from main arm. Used for reveal 10" to 20".

TRACKS

TRACK 9550-3038

Standard non-handed track.

TRACK END CAP 9550-73

Black plastic end caps.

ROLLER, 9550-3034

Quiet low friction roller assembly.

INSTALLATION ACCESSORIES

SPINDLE PLATE – 2-3/4", 9550-11A

Hides bottom of motor gearbox. Completes header box. Cutout allows for motor gearbox shaft. For 2-3/4" offset pivot or butt hinge installations.

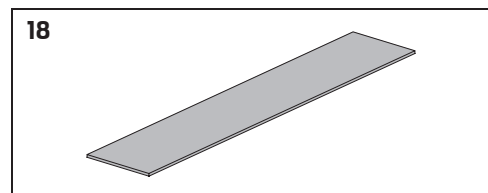
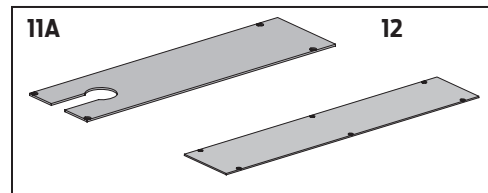
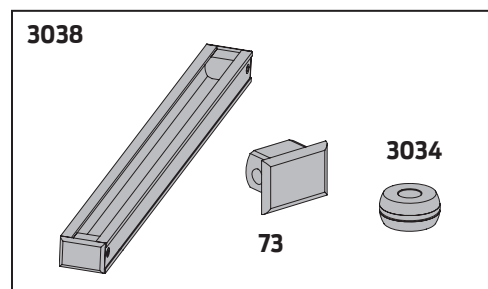
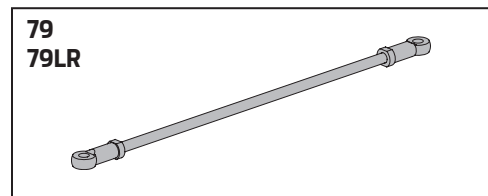
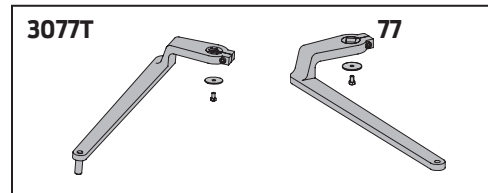
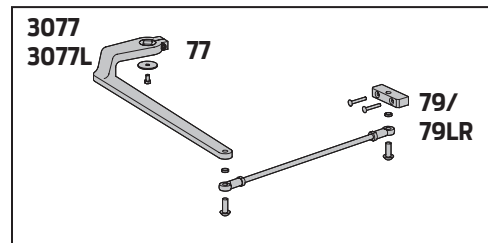
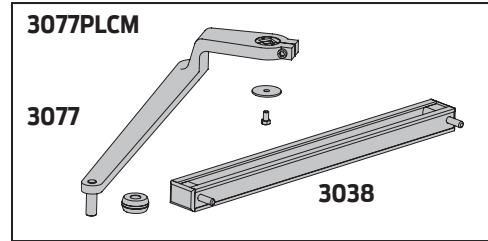
FILLER PLATE BLANK, 9550-12

Completes length of header box. (Specify length).

MOUNTING PLATE, 9550-18

Optional mounting plate for standard hollow metal door frames. Specify length 55-1/2" to 101-1/2" maximum when using angle brackets. Specify length 52" to 98" maximum when using dress plates.

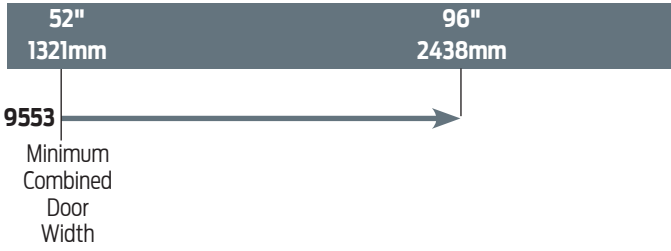
NOTE: The length of a universal 18 plate will need to be ordered 3-1/2" longer than the supplied header when using angle brackets.



9550 SERIES

TABLE OF SIZES

COMBINED DOOR WIDTH



→ Indicates recommended range of door width for operator.

NOTE: For all Senior Swing Series.
 Simultaneous Pair – Width per leaf 30” minimum to 48” maximum.

HOW-TO-ORDER 9550 SERIES OPERATORS

1. SPECIFY HAND

- RH
- LH

2. SPECIFY HEADER / LENGTH

- HL__ (Specify length 52” to 98”)
 regular or long arm
- HL__ (Specify length 60” to 98”)
 for standard or DE arm

3. SPECIFY FINISH

- Standard Anodized Finish _____
 Aluminum or Dark Bronze.

Operator will be shipped with:

- STANDARD MOTOR GEARBOX (SF) (2 ea),
- STANDARD CONTROL BOX (SC),
- METAL COVER (at specified length 72” standard),
- REGULAR ARM (2 ea),
- 2-3/4” PIVOT POINT,
- MACHINE SCREW PACK

OPERATOR OPTIONS

MOUNTING PLATE

- Plate, ____ (Specify Length 52” to 101-1/2”)

ARM

- Standard Arm (2 ea)
 w/Standard Track (2 ea)
- Double Egress
 Includes Standard Arm w/Track (1 ea)
 & Regular Arm (1 ea)
- Long Arm (3077L)