



P513-174

B-Series Single Cylinder Lock



Model B250PD

Installation Instructions

Parts Included

- (2) Keys
- (1) Cylinder
- (1) 7/16" (11 mm) ring & hardened steel insert
- (1) 1/8" (3 mm) ring & hardened steel insert
- (1) Driver bar
- (1) Latch
- (2) Mounting screws, cylinders
- (1) Strike
- (1) Strike dust box
- (1) Strike reinforcer
- (2) 3" (76 mm) mounting screws, reinforcer
- (4) Mounting screws, latch and strike
- (1) Thumbturn

Depending on size ordered, may include (2) 1/8" (3 mm) rings and hardened steel inserts.

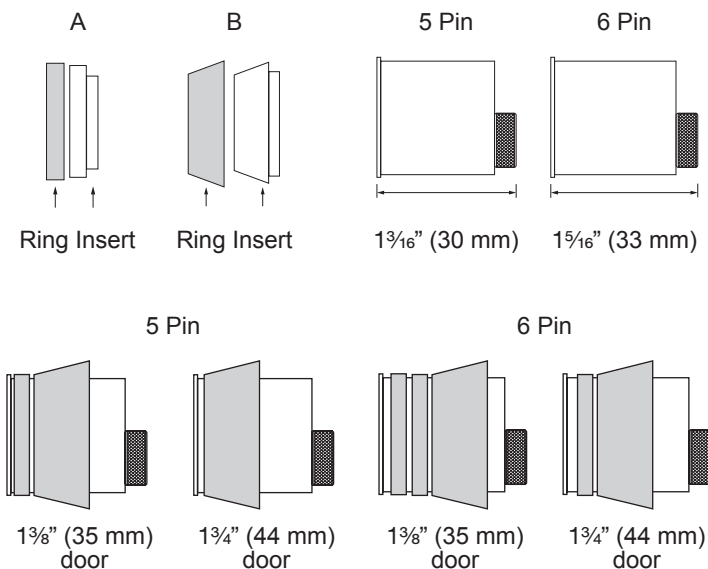
NOTE:

Hollow metal doors must be properly reinforced for latch support. If door reinforcement is not furnished, contact door manufacturer, or use Schlage reinforcer #37-001 (specify door thickness)

1 Select rings and inserts.

Use chart to choose rings and inserts for door thickness adjustment.

Door Thickness	5 Pin Cylinder	6 Pin Cylinder
1 3/8" (35 mm)	B and A	B and (2) A
1 3/4" (44 mm)	B	B and A

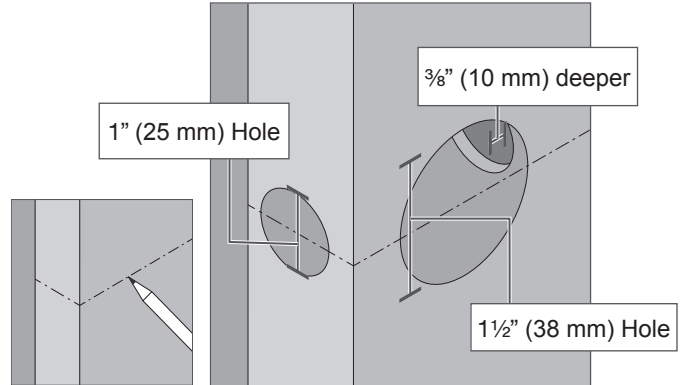


2 Prepare the door.

2a Mark centerline on door face and edge.

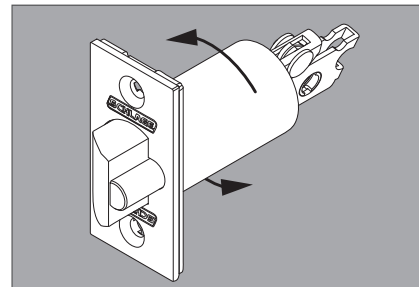
2b Place template on door and drill a 1 1/2" (38 mm) hole through the door face (from both sides to avoid damaging wood).

Drill a 1" (25 mm) hole in door edge. Drill 3/8" (10 mm) deeper as illustrated.



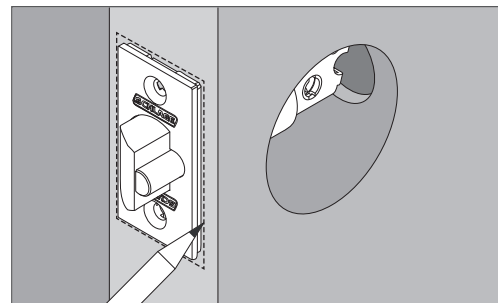
3 Install latch.

3a Rotate to adjust latch so that bolt faces door jamb.

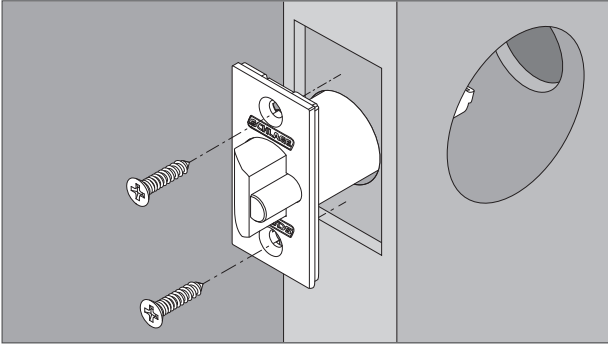


3b Insert latch into hole. Line up and trace around faceplate.

Use chisel to remove wood until the faceplate fits flush when latch is fully inserted.



3c Install latch with provided screws.

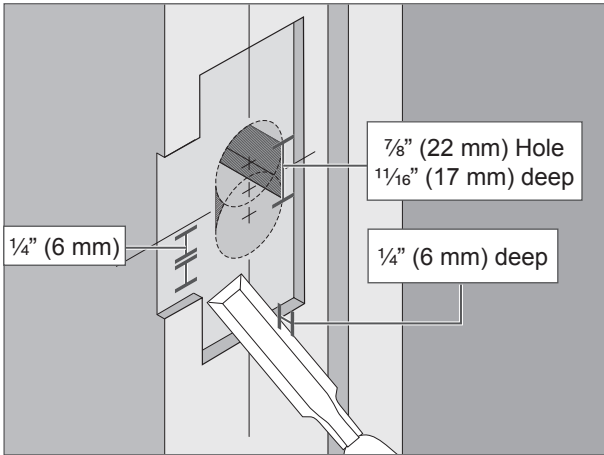


4 Prepare door jamb.

4a Locate exact centerline of latch and mark centerline on door jamb.

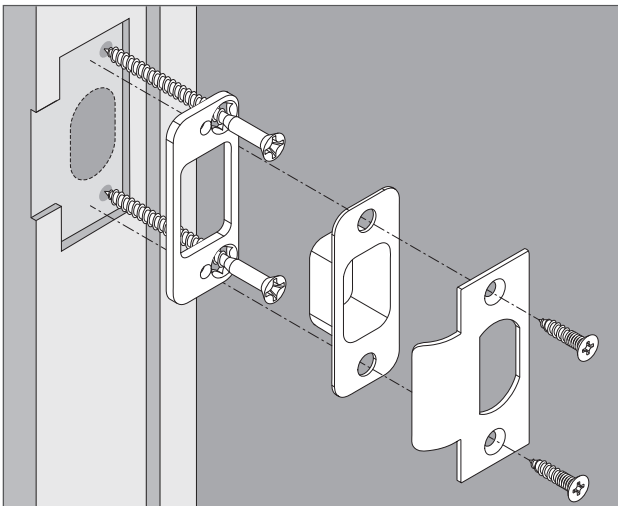
Mark drill points $\frac{1}{4}$ " (6 mm) above and below horizontal centerline. Drill two (2) overlapping $\frac{7}{8}$ " (22 mm) holes, $1\frac{1}{16}$ " (17 mm) deep.

Clean out holes for strike box. Use strike as pattern for cutout. Use chisel to remove wood $\frac{1}{4}$ " (6 mm) deep.



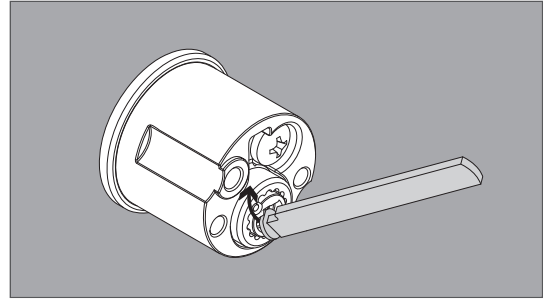
4b Mark and drill $\frac{3}{16}$ " (4 mm) pilot holes for 3" wood screws.

Install reinforcer, dust box, and strike with provided screws.

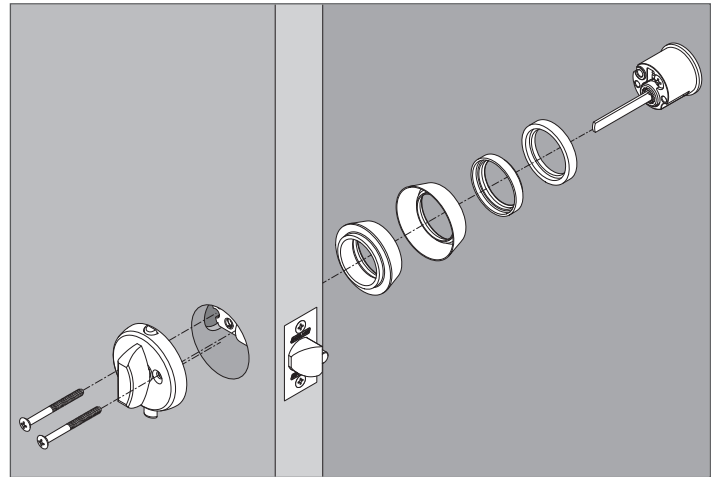


5 Install cylinder.

5a Insert driver bar into cylinder.



5b With key removed, insert cylinder into rings (See Step 1) and guide driver bar into slot in latch.



Screw mounting screws from thumbturn through the inside cylinder and tighten evenly.

Customer Service

1-877-671-7011

www.allegion.com/us

