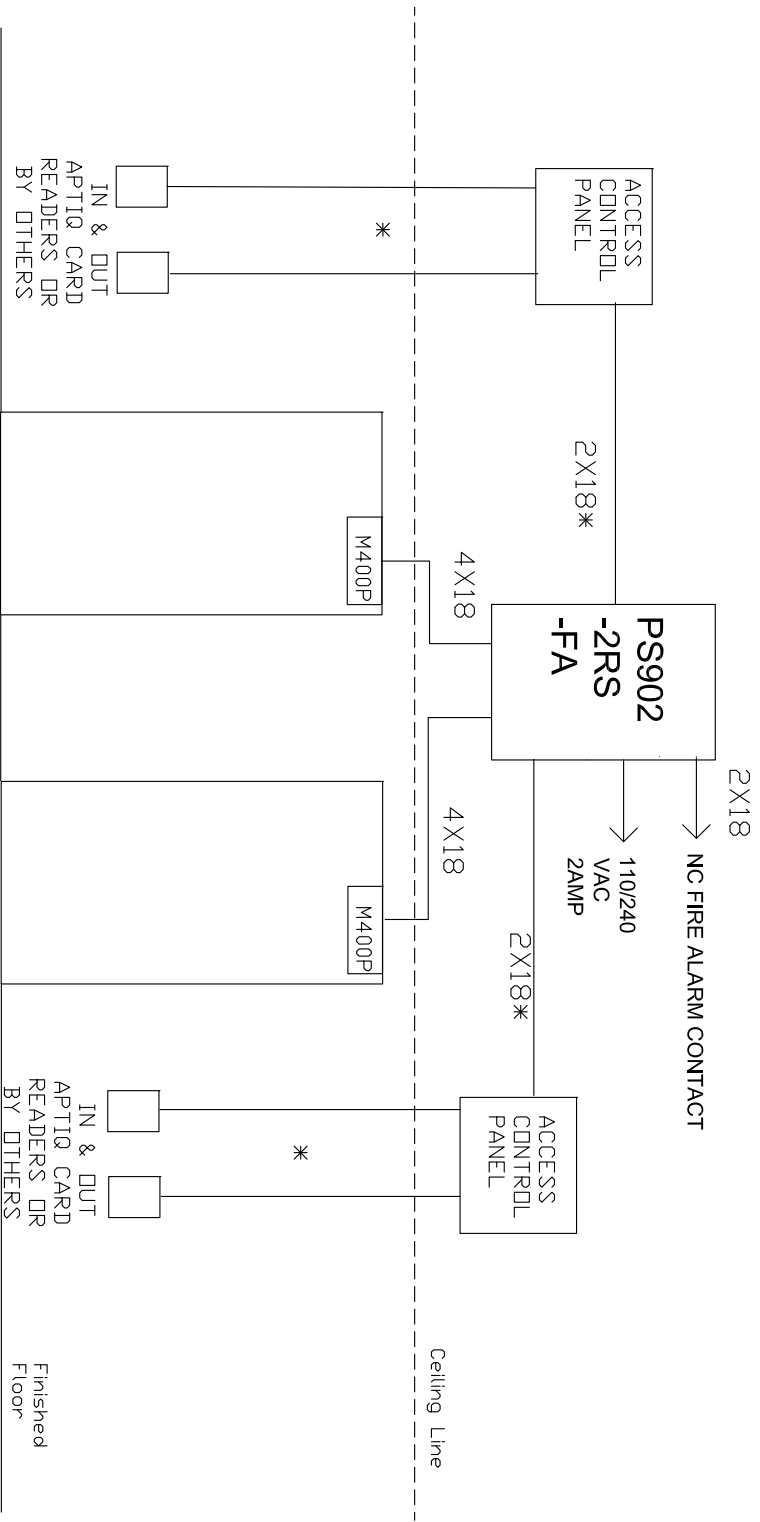


THIS DIAGRAM REPRESENTS A GENERIC CONFIGURATION. CUSTOM WIRING DIAGRAMS CAN BE ACQUIRED BY CONTACTING TECHNICAL SUPPORT.



VERIFY OPERATION  
ACCEPTABLE TO LOCAL AHJ.

NOTES:  
 1) ALL LOW VOLTAGE WIRING TO BE STANDARD MULTI-CONDUCTOR COLOR CODED WITHOUT SPLICES.  
 2) WIRING TO CONFORM TO APPLICABLE NATIONAL, STATE AND LOCAL ELECTRICAL CODES.  
 3) REFER TO SPECIFIC PRODUCT INSTALLATION INSTRUCTIONS FOR SPECIFIC WIRING REQUIREMENTS.  
 4) THIS DRAWING IS FOR GRAPHICAL REPRESENTATION OF PRODUCTS DETAILED IN THE HARDWARE SET ONLY. THAT IS NOT SHOWN HERE. CONSULT PROVIDER FOR DETAILS.

<b>HARDWARE USED:</b>	
2 M400P MAGNETIC LOCKS	PS902-2RS-FA POWER SUPPLY
4 APTIQ CARD READERS OR BY OTHERS AND ACP	FIRE ALARM CONTACT BY OTHERS
<b>TYPE</b>	
SECURITY INTERLOCK	2 DOOR

<b>OPERATION:</b>	
SECURITY INTERLOCK - BOTH DOORS NORMALLY LOCKED. PRESENTING A VALID CREDENTIAL TO THE CARD READERS WILL RELEASE DOOR IF OTHER DOOR IS CLOSED AND LOCKED.	
OPPOSITE DOOR REMAINS LOCKED AS LONG AS OTHER DOOR REMAINS UNLOCKED.	
IN THIS EXAMPLE ALL WIRING CONNECTIONS ARE MADE IN PS902 ENCLOSURE. FIRE ALARM TO RELEASE BOTH M400 MAG LOCKS.	
<b>DATE DRAWN</b>	<b>REVISION DATE</b>
3-13-13	3-13-13
Copyright 2013	

TITLE:  
**2 Door PS902-2RS-FA x 2 M400 Plus**  
 Maglocks x 4 Card Readers

**ALLEGION™**

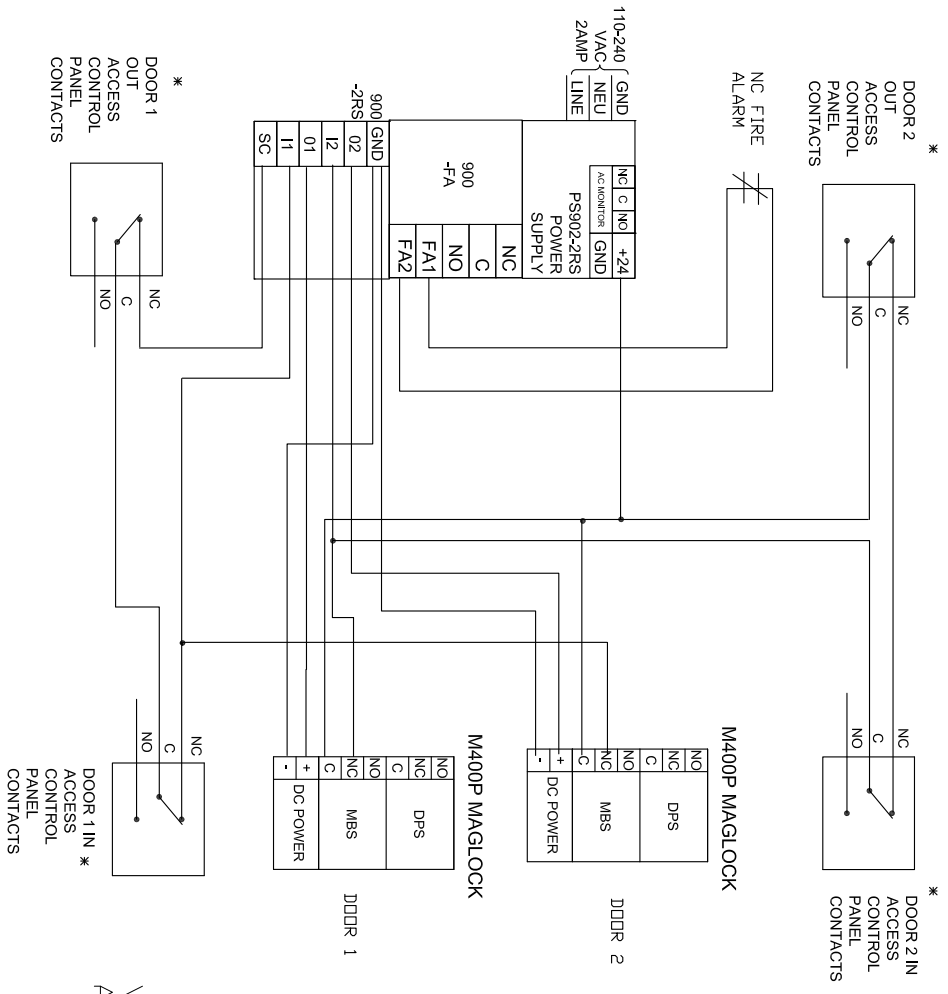
DRAWING TYPE: RISER

DWG NO: 109438

DRAWN/CHECKED BY: B DOVE/B DYE

REV: A

THIS DIAGRAM REPRESENTS A GENERIC CONFIGURATION. CUSTOM WIRING DIAGRAMS CAN BE ACQUIRED BY CONTACTING TECHNICAL SUPPORT.



VERIFY OPERATION  
ACCEPTABLE TO LOCAL AHJ.

NOTES:  
1) ALL LOW VOLTAGE WIRING TO BE STANDARD MULTI-CONDUCTOR COLOR CODED WITHOUT SPLICES.  
2) WIRING TO CONFORM TO APPLICABLE NATIONAL, STATE AND LOCAL ELECTRICAL CODES.  
3) REFER TO SPECIFIC PRODUCT INSTALLATION INSTRUCTIONS FOR SPECIFIC WIRING REQUIREMENTS.  
4) THIS DRAWING IS FOR GRAPHICAL REPRESENTATION OF PRODUCTS DETAILED IN THE HARDWARE SET ONLY. THAT IS NOT SHOWN HERE. CONSULT PROVIDER FOR DETAILS.

HARDWARE USED:  
2 M400P MAGNETIC LOCKS  
PS902-2RS-FA POWER SUPPLY  
4 APTIQ CARD READERS DR BY OTHERS WITH ACP  
FIRE ALARM CONTACT BY OTHERS

TYPE  
SECURITY INTERLOCK 2 DOOR

OPERATION:  
SECURITY INTERLOCK - BOTH DOORS NORMALLY LOCKED. PRESENTING A VALID CREDENTIAL TO THE CARD READERS WILL RELEASE DOOR IF OTHER DOORS IS CLOSED AND LOCKED.  
OPPOSITE DOOR REMAINS LOCKED AS LONG AS OTHER DOOR REMAINS UNLOCKED.  
IN THIS EXAMPLE ALL WIRING CONNECTIONS ARE MADE IN PS902 ENCLOSURE.  
FIRE ALARM TO RELEASE BOTH M400 MAG LOCKS.

DATE DRAWN: 3-13-13  
REVISION DATE: 3-13-13  
COPYRIGHT 2013

TITLE:  
2 Door PS902-2RS-FA x 2 M400 Plus  
Maglocks x 4 Card Readers

**ALLEGION™**

DRAWING TYPE:  
WIRING DIAGRAM

DWG NO.: 109438  
DRAWN/CHECKED BY: B DOVE/B DYE

REV: A