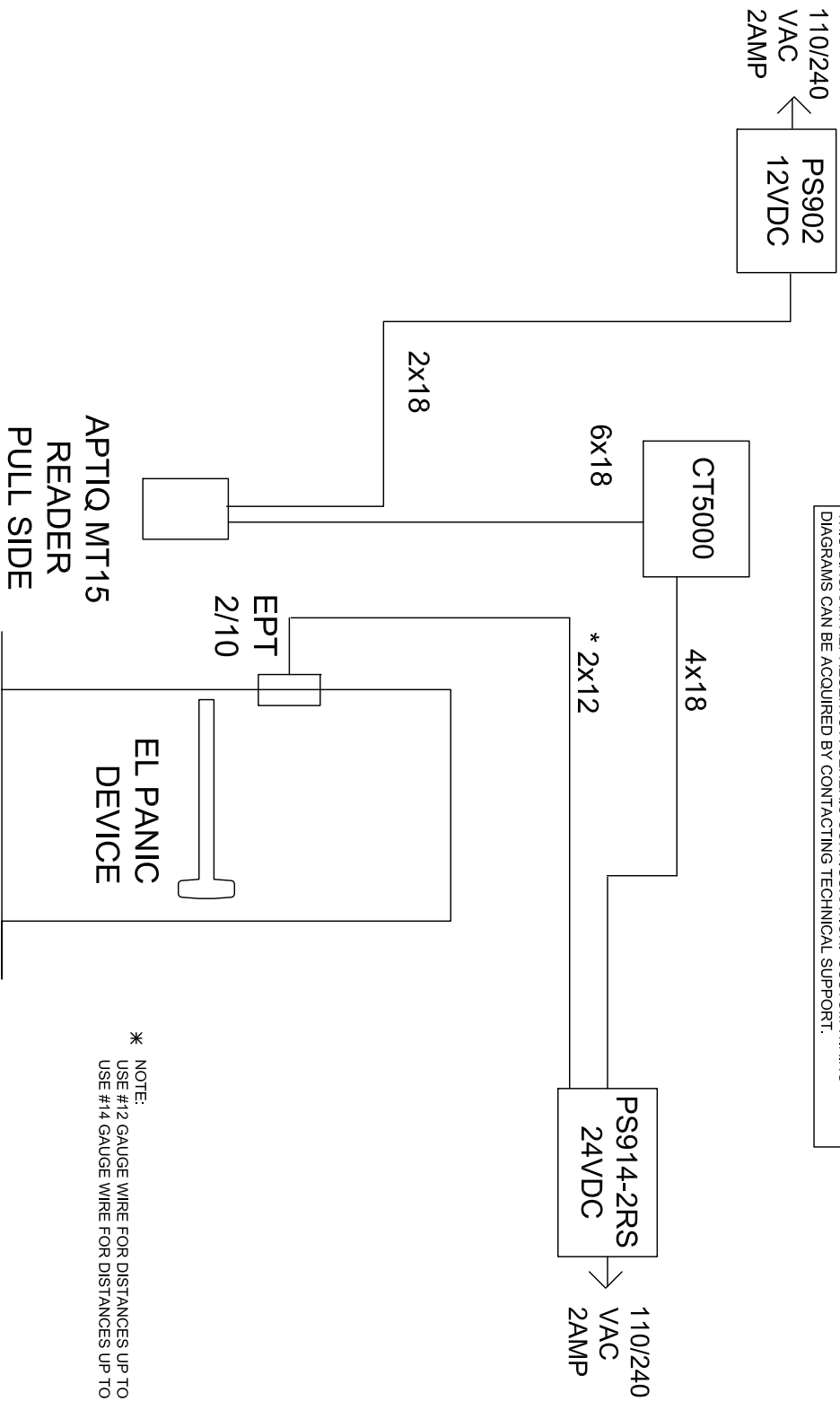


THIS DIAGRAM REPRESENTS A GENERIC CONFIGURATION. CUSTOM WIRING DIAGRAMS CAN BE ACQUIRED BY CONTACTING TECHNICAL SUPPORT.



* NOTE:
USE #12 GAUGE WIRE FOR DISTANCES UP TO 200' FROM EPT TO PS914.
USE #14 GAUGE WIRE FOR DISTANCES UP TO 100' FROM EPT TO PS914.

- NOTES:
- 1) ALL LOW VOLTAGE WIRING TO BE STANDARD, MULTI-CONDUCTOR COLOR CODED WITHOUT SPLICES.
 - 2) WIRING TO CONFORM TO APPLICABLE NATIONAL, STATE AND LOCAL ELECTRICAL CODES.
 - 3) REFER TO SPECIFIC PRODUCT INSTALLATION INSTRUCTIONS FOR SPECIFIC WIRING REQUIREMENTS.
 - 4) THIS DRAWING IS FOR GRAPHICAL REPRESENTATION OF PRODUCTS DETAILED IN THE HARDWARE SET ONLY. THAT IS NOT SHOWN HERE. CONSULT PROVIDER FOR DETAILS.
 - 5) ADDITIONAL WIRING WILL BE REQUIRED FROM ACP DETAILS.

HARDWARE USED:	
1	CT5000
1	MT15 APTIQ READER
1	VJ DR FALCON EL PANIC
1	EPT2/10
1	PS902
1	PS914-2RS

ACCESS CONTROL WITH EL PANIC

OPERATION:	
APTIQ MT15 READER TO RETRACT THE ELECTRIC LATCH ON PANIC BAR TO ALLOW ENTRY.	
FREE EGRESS ALWAYS PERMITTED	
THIS IS NOT A FIRE RATED APPLICATION	
DATE DRAWN	REVISION DATE
3-26-13	3-26-13
Copyright © 2013	

ALLEGION™

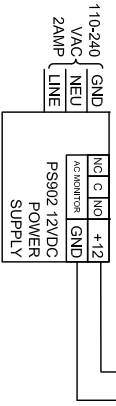
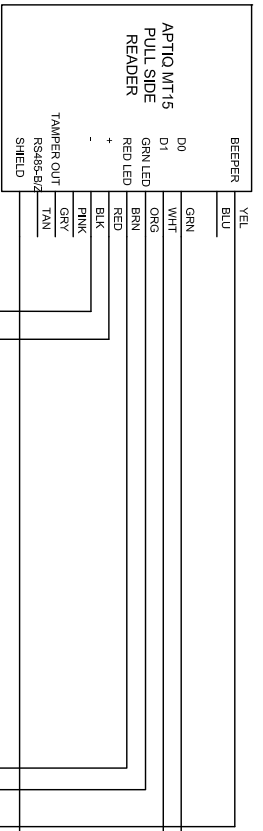
TITLE:
CT5000 WITH EL AND PS914-2RS AND PS902

DRAWING TYPE:
RISER DIAGRAM

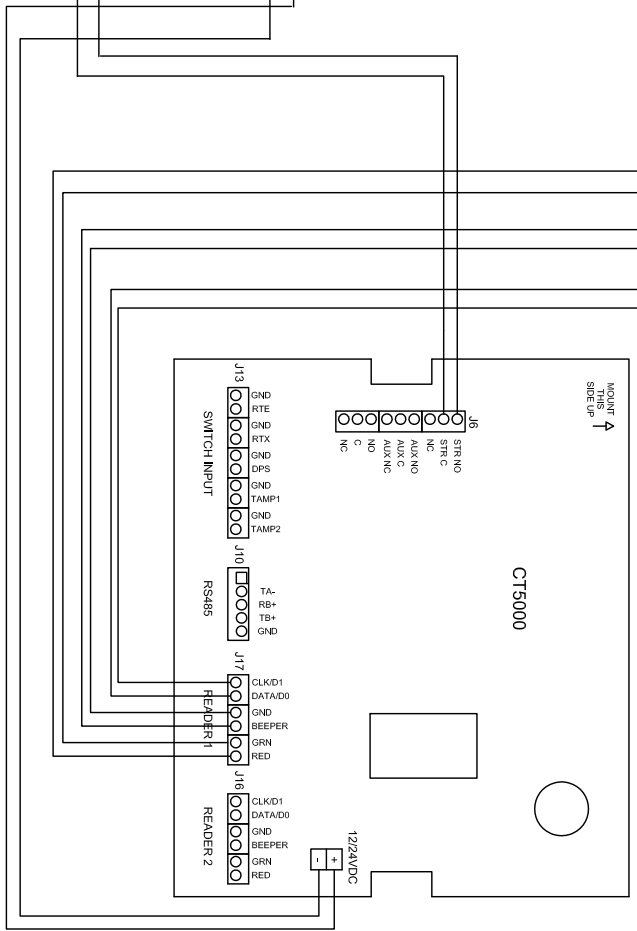
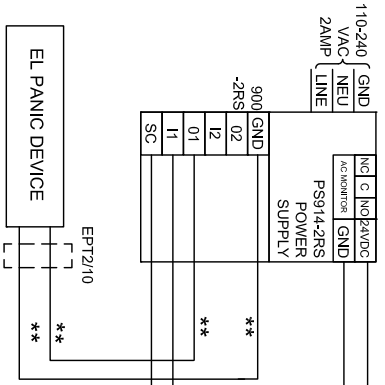
DWG NO.:
109499

DRAWING CHECKED BY:
B DOVE

REV:
A



NOTE: SET THE PS902 FOR 12VDC OUTPUT



THIS DIAGRAM REPRESENTS A GENERIC CONFIGURATION. CUSTOM WIRING DIAGRAMS CAN BE ACQUIRED BY CONTACTING TECHNICAL SUPPORT.

NOTE:
* * * USE #12 GAUGE WIRE FOR DISTANCES UP TO 200' FROM EPT TO PS914.
* * * USE #14 GAUGE WIRE FOR DISTANCES UP TO 100' FROM EPT TO PS914.

NOTES:
1) ALL LOW VOLTAGE WIRING TO BE STANDARD MULTI-CONDUCTOR CABLE CODED WITHOUT SPLICES.
2) WIRING TO CONFORM TO APPLICABLE NATIONAL, STATE AND LOCAL ELECTRICAL CODES.
3) REFER TO SPECIFIC PRODUCT INSTALLATION INSTRUCTIONS FOR SPECIFIC WIRING REQUIREMENTS.
4) THIS DRAWING IS FOR GRAPHICAL REPRESENTATION OF PRODUCTS DETAILED IN THE HARDWARE SET ONLY. THAT IS NOT SHOWN HERE. CONSULT PROVIDER FOR DETAILS.

HARDWARE USED:
1 CT5000
1 MT15 APTIQ READER
1 VD DR FALCON EL PANIC DEVICE
1 EPT2/10
1 PS902
1 PS914-2RS

TYPE ACCESS CONTRL WITH EL PANIC

OPERATION:
APTIOQ MT15 READER TO RETRACT THE ELECTRIC LATCH ON PANIC BAR TO ALLOW ENTRY.
FREE EGRESS ALWAYS PERMITTED.
THIS IS NOT A FIRE RATED APPLICATION

DATE DRAWN: 3-26-13
REVISION DATE: 3-26-13

ALLEGIION™

TITLE:
CT5000 WITH EL AND PS914-2RS AND PS902

DRAWING TYPE:
WIRING DIAGRAM

DWG NO.: 109499
DRAWN/CHECKED BY: B DOWE

REV: A