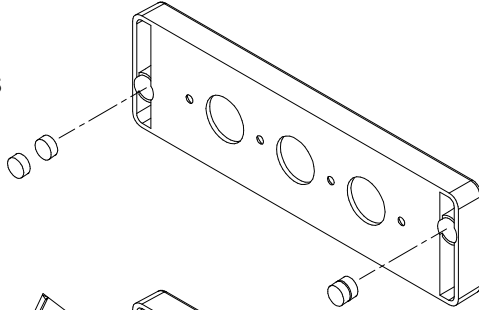
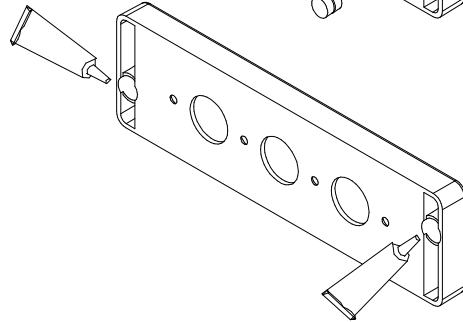


**A.** LET MAGNETS STICK TOGETHER. INSTALL TWO MAGNETS IN EACH HOLE AS SHOWN. IT DOES NOT MATTER WHICH SIDE GOES IN FIRST. **IT IS IMPORTANT THAT THE MAGNETS BE INSTALLED ALL THE WAY IN TO THE HOLES BEFORE LOCKTITE IS APPLIED.**



**B.** APPLY LOCKTITE 495 BETWEEN MAGNETS AND PLASTIC HOUSING



**C.** USE THE TEMPLATE INFORMATION BELOW TO INSTALL THE DSM SWITCH(ES) TO THE COVER PLATE. NOTE THAT THE VIEW IS FROM THE OUTSIDE OF THE PLATE. (THE SWITCH(ES) ARE INSTALLED ON THE OTHER SIDE.)

