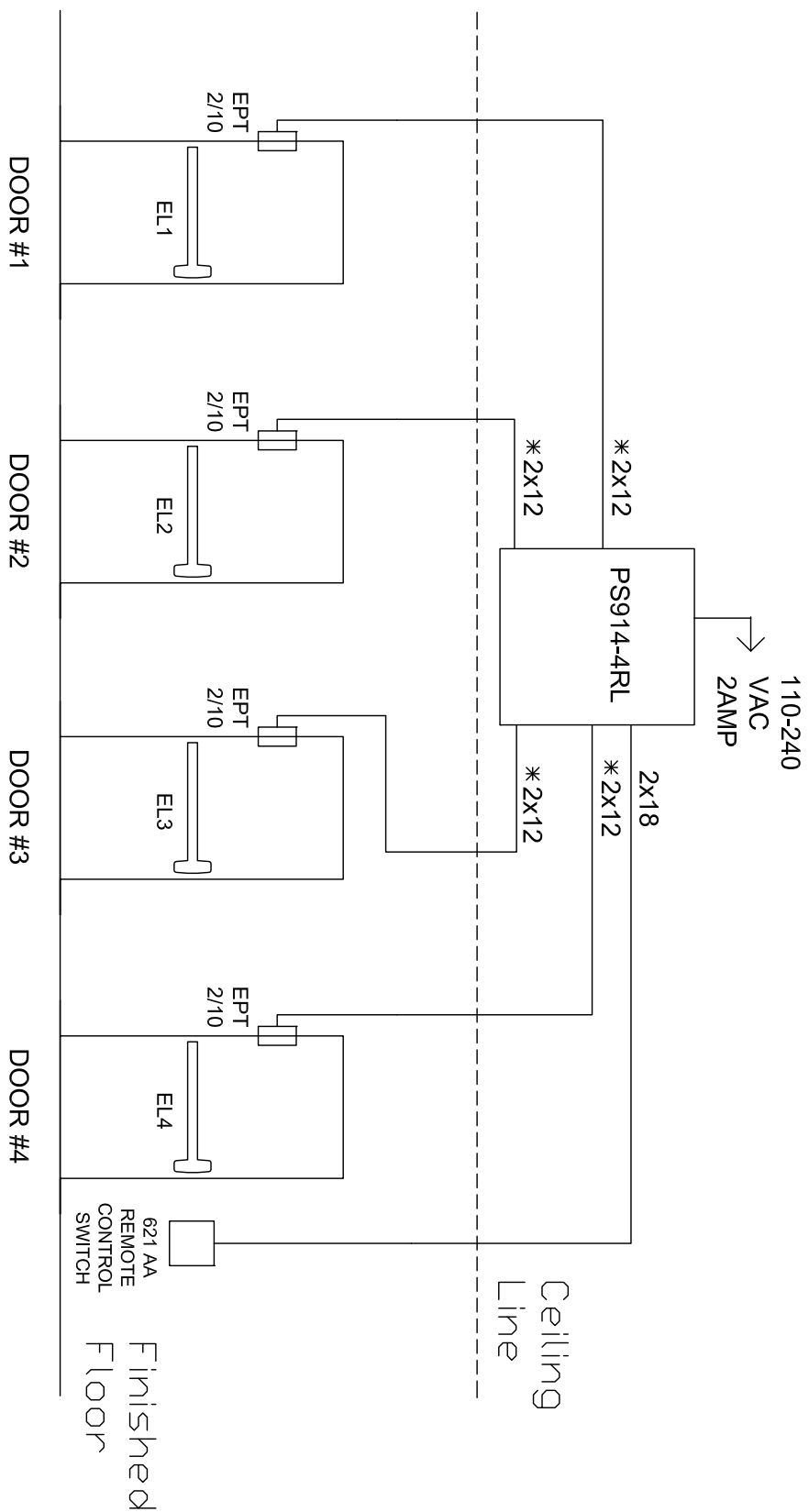


THIS DIAGRAM REPRESENTS A GENERIC CONFIGURATION. CUSTOM WIRING DIAGRAMS CAN BE ACQUIRED BY CONTACTING TECHNICAL SUPPORT.



NOTE:
 *USE #12 GAUGE WIRE FOR DISTANCES UP TO 200' FROM EPT TO PS914
 *USE #14 GAUGE WIRE FOR DISTANCES UP TO 100' FROM EPT TO PS914

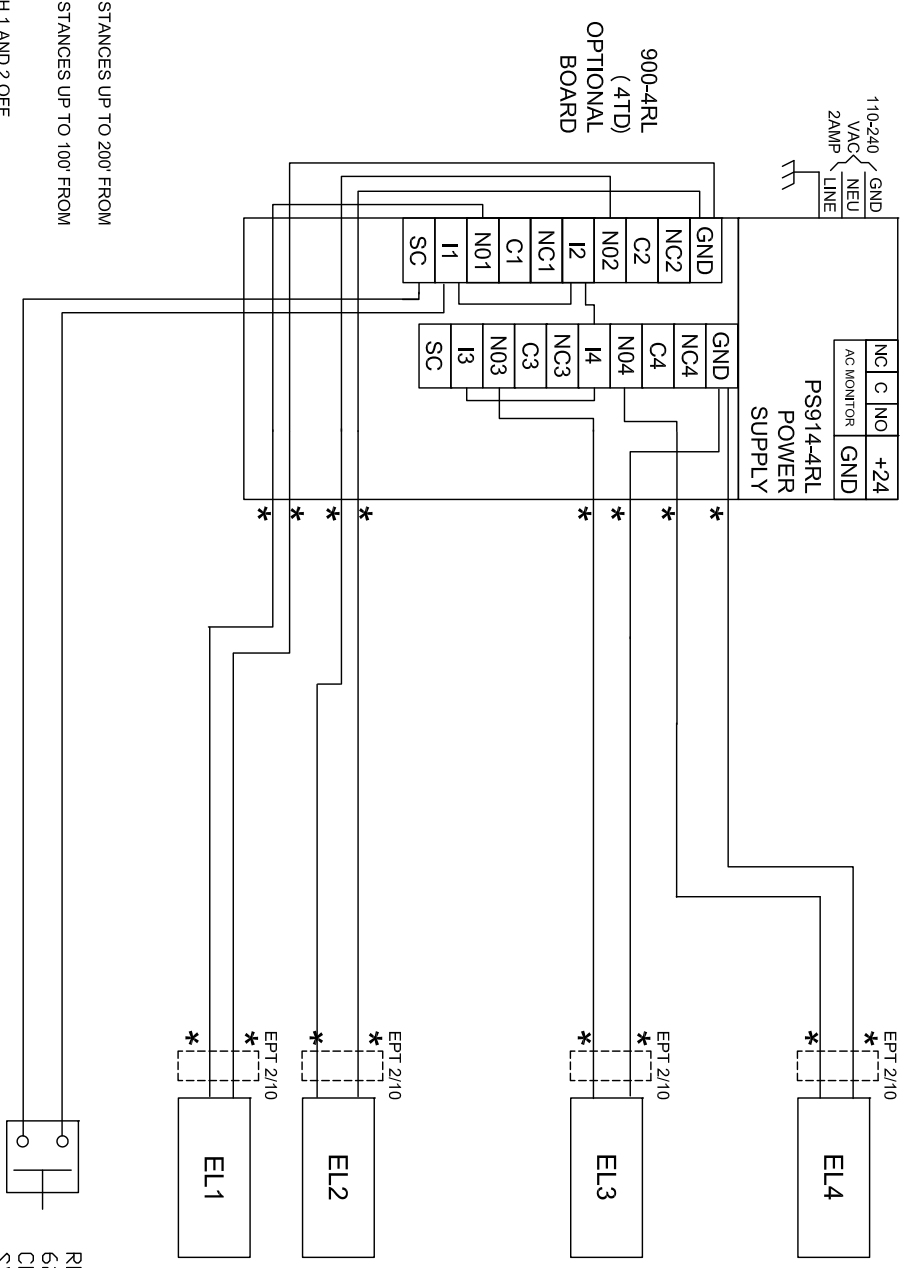
NOTES:
 1) ALL LOW VOLTAGE WIRING TO BE STANDARD MULTI-CONDUCTOR COLOR CODED WITHOUT SPLICES.
 2) WIRING TO CONFORM TO APPLICABLE NATIONAL, STATE AND LOCAL ELECTRICAL CODES.
 3) REFER TO SPECIFIC PRODUCT INSTALLATION INSTRUCTIONS FOR SPECIFIC WIRING REQUIREMENTS.
 4) THIS DRAWING IS FOR GRAPHICAL REPRESENTATION OF PRODUCTS DETAILED IN THE HARDWARE SET ONLY. 5) ADDITIONAL WIRING WILL BE REQUIRED FROM ACP THAT IS NOT SHOWN HERE. CONSULT PROVIDER FOR DETAILS.

HARDWARE USED:	4 VON DUPRIN DR FALCON EL PANIC DEVICES 1 PS914-4RL POWER SUPPLY 4 EPT POWER TRANSFERS 621 AA REMOTE CONTROL PUSH BUTTON
TYPE	REMOTE 621AA PB WITH 4 EL PANIC DEVICES

OPERATION:
 REMOTE CONTROL 621 AA PB TO SIGNAL ALL FOUR ELECTRIC PANIC BARS TO RETRACT FOR ENTRY.
 THIS CONFIGURATION REPRESENTS A NON FIRE RATED OPENING.
 IN THIS EXAMPLE ALL WIRING CONNECTIONS ARE MADE IN PS914 ENCLOSURE.

		TITLE: REMOTE 621AA PB WITH 4 EL PANICS	
		DRAWING TYPE: RISER DIAGRAM	DWG NO.: 109440
DATE DRAWN: 3-20-13		REVISION DATE: 3-20-13	
REV:		A	

THIS DIAGRAM REPRESENTS A GENERIC CONFIGURATION. CUSTOM WIRING DIAGRAMS CAN BE ACQUIRED BY CONTACTING TECHNICAL SUPPORT.



NOTE:
 *USE #12 GAUGE WIRE FOR DISTANCES UP TO 200' FROM EPT TO PS914
 *USE #14 GAUGE WIRE FOR DISTANCES UP TO 100' FROM EPT TO PS914
 900-4RL CARD SW2 SET SWITCH 1 AND 2 OFF
 900-4RL CARD SW1 SET AS REQUIRED FOR TIME DELAYS
 -SEE INSTRUCTION SHEET FOR DETAILS

NOTES:
 1) ALL LOW VOLTAGE WIRING TO BE STANDARD MULTI-CONDUCTOR COLOR CODED WITHOUT SPLICES.
 2) WIRING TO CONFORM TO APPLICABLE NATIONAL, STATE AND LOCAL ELECTRICAL CODES.
 3) REFER TO SPECIFIC PRODUCT INSTALLATION INSTRUCTIONS FOR SPECIFIC WIRING REQUIREMENTS. OF PRODUCTS DETAILED IN THE HARDWARE SET ONLY.
 5) ADDITIONAL WIRING WILL BE REQUIRED FROM ACP THAT IS NOT SHOWN HERE. CONSULT PROVIDER FOR DETAILS.

HARDWARE USED:	
4 VDN DUPRIN DR FALCON EL PANIC DEVICES	
1 PS914-4RL POWER SUPPLY	
4 EPT POWER TRANSFERS	
621 AA REMOTE CONTROL SWITCH	
TYPE	REMOTE 621AA PB WITH 4 IR PANIC DEVICES

OPERATION:
 REMOTE CONTROL 621AA PB TO SIGNAL ALL FOUR ELECTRIC PANIC BARS TO RETRACT FOR ENTRY.
 THIS CONFIGURATION REPRESENTS A NON FIRE RATED OPENING.
 IN THIS EXAMPLE ALL WIRING CONNECTIONS ARE MADE IN PS914 ENCLOSURE.

DATE DRAWN	3-20-13	REVISION DATE	3-20-13
copyright 2013			

ALLEGION™

TITLE: REMOTE 621AA PB WITH 4 EL PANICS

DRAWING TYPE: WIRING DIAGRAM

DWG NO: 109440

DRWNG CHECKED BY: B DOVE / B DVE

REV: A