



931219-00

6111/6111DS

VON DUPRIN®

Electric Strike Single Door Rim Application

Installation Instructions

Note: Check with factory for retrofit applications.

- 1 For lock or device preparation, see their directions. Also see application schedule on other side.
- 2 Prepare frame for strike (see other side).
- 3 Wire strike (Figure 1). (Switches on 6111DS only.)
- 4 Test strike: Apply solenoid power. Fail secure (FSE) lip unlocks. Fail safe (FS) lip locks. Figure 1 shows status of switches.
- 5 Install strike with two #12-24 screws. Make sure clearance between latch bolt and strike lip is 1/32" (Figure 2).
- 6 If latch bolt does not extend far enough to actuate tripper, install extension (Figure 3). (Tripper on 6111DS only.)
- 7 Test door: With strike unlocked, door opens with latch bolt extended. When door closes, latch bolt rides over strike lip.

SOLENOID POWER REQUIREMENTS

Yellow solenoid wires = 12 VDC, 0.57 A
 Black solenoid wires = 24 VDC, 0.29 A
 (also shown on strike label)

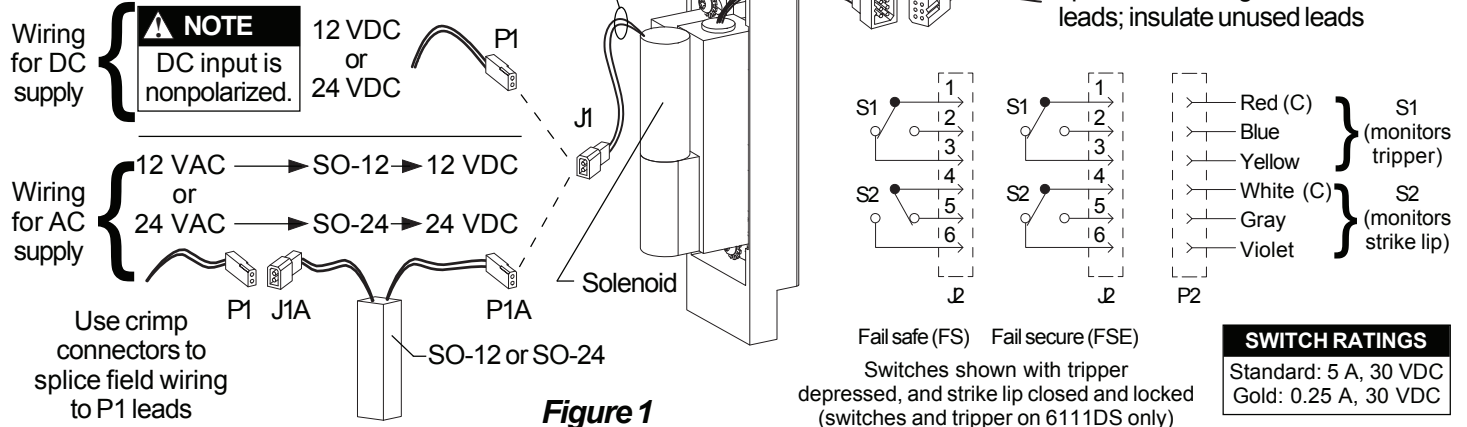


Figure 1

NOTE:
 Static Strength Rating 1500 lb.
 Dynamic Strength Rating 70ft.-lb.
 Endurance Rating 250,000c.

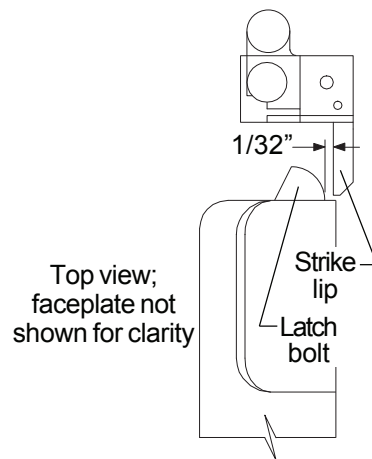


Figure 2

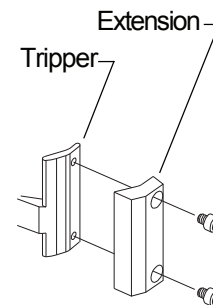
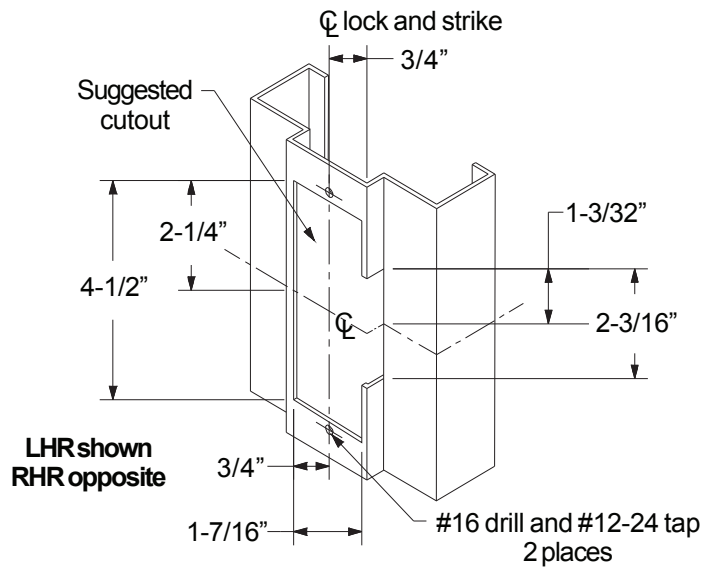
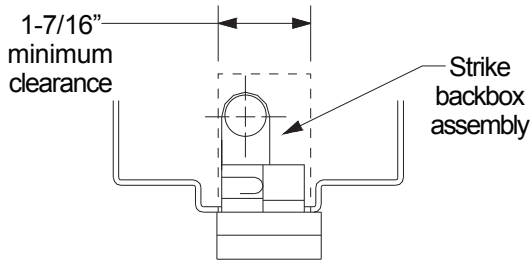
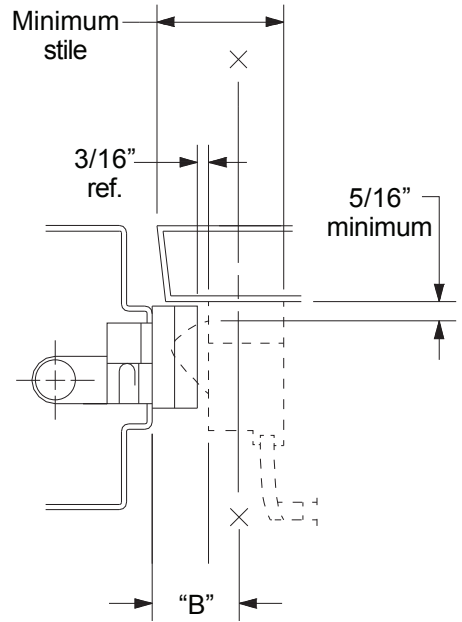


Figure 3

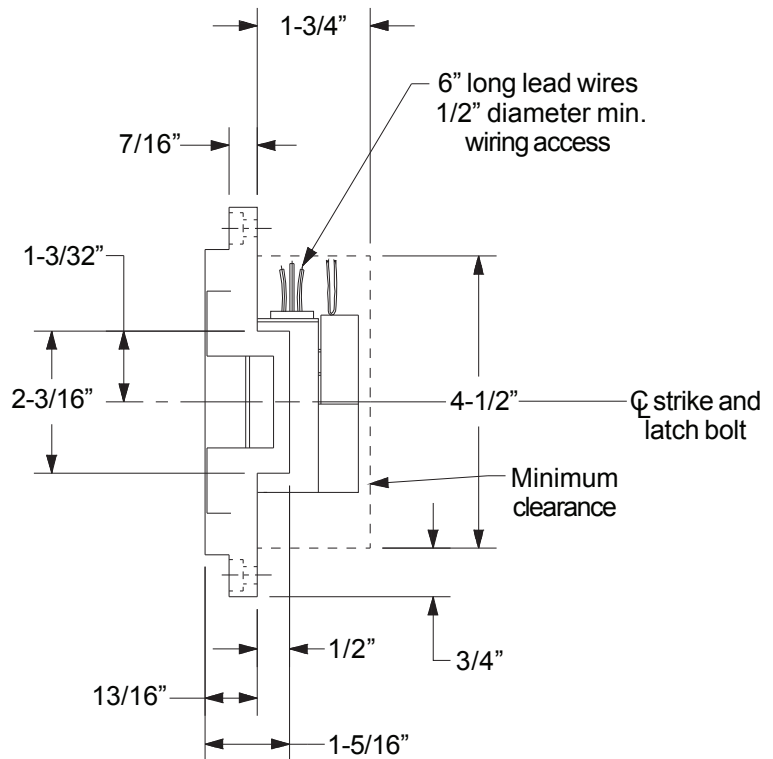
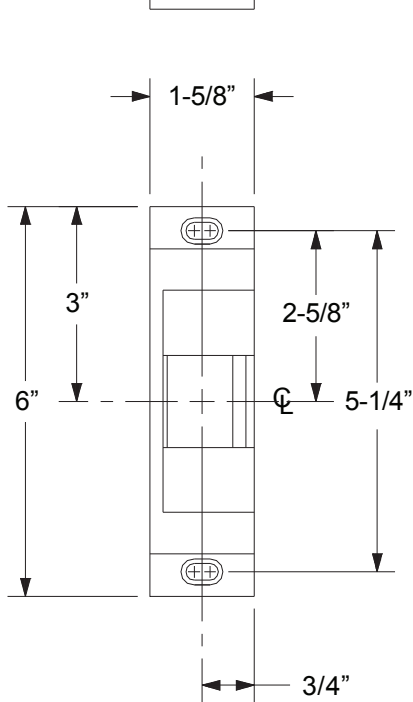


Frame Preparation for Strike



Von Duprin Device	"B"
22 Rim and 98/99 Rim	$2-7/16"$
33/35 Rim EO/DT/NL/TP	$1-13/32"$
33A/35A Series Rim	$1-15/32"$
44/88 Rim EO/DT/NL/TP	$2-1/2"$
44/88 Rim K	$2-3/8"$
For other devices, consult factory.	

Application Schedule



Strike Dimensions and Required Clearances

Customer Service

1-877-671-7011 www.allegion.com/us



© Allegion 2014
Printed in U.S.A.
931219-00 Rev. 01/14-c