



921002-00

Trim Active (L) to Rigid Conversion Kit

992L

VON DUPRIN®

Installation Instructions

1. Remove the two lift springs and discard.
2. Push up on the slider assembly to remove. Discard slider assembly.
3. Remove the retaining ring from the end of the shaft and discard.
4. Pull the cam off the shaft and discard.
5. Remove the shear pin and discard.
6. Place the lever in the desired position for LHR or RHR operation (Figure 1).
7. Insert the new shear pin. Use one black shear pin for 3/16" diameter hole; use two yellow shear pins for 5/32" diameter hole.
8. Install the two yoke set screws in the ends of the yoke.
9. Slip the yoke over the shaft and shear pin.
10. Install the supplied shims as required to reduce axial lever looseness.
11. Install the new retaining ring onto the end of the shaft.
12. Turn the yoke set screws to set the lever horizontal or slightly angled upward.
13. Install the drive screw in exit device cam so trim functions as NL (Figure 2).
14. Install the tailpiece guide in the exit device cam (Figure 3).

Active (L function) Lever

RIGID Lever

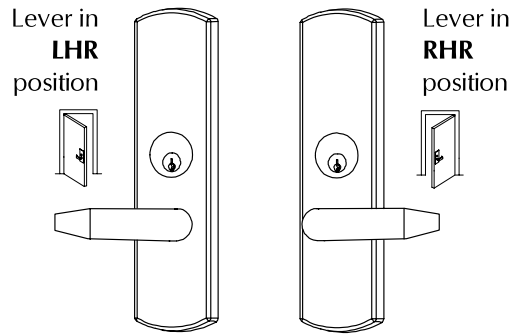
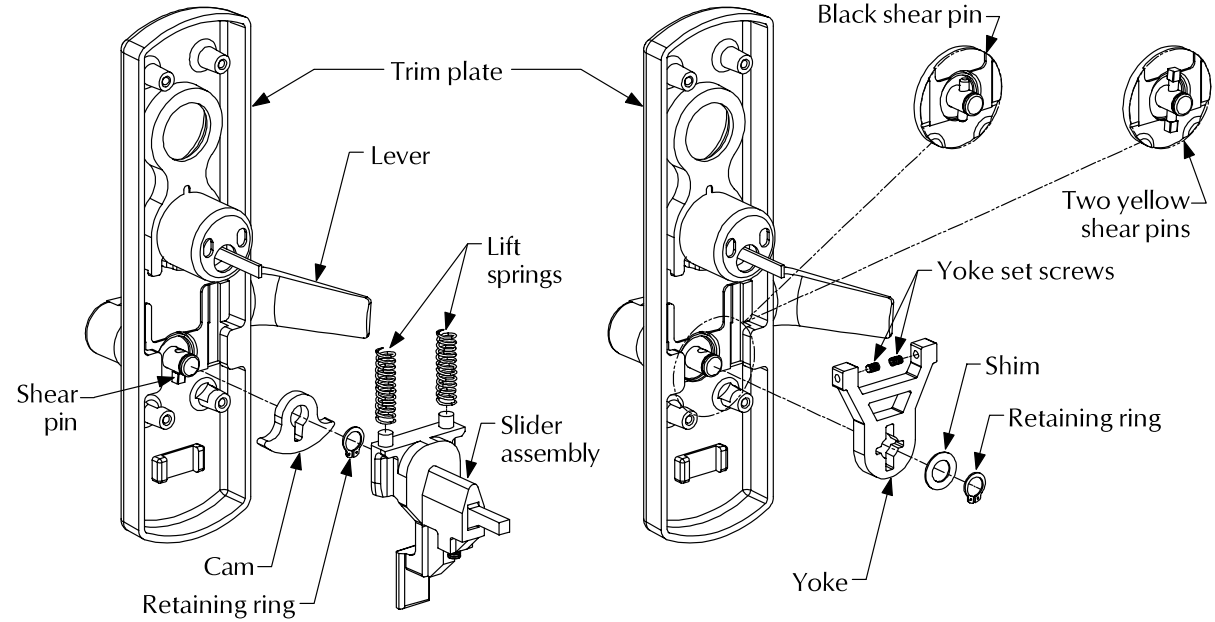


Figure 1. Lever LHR and RHR positions.

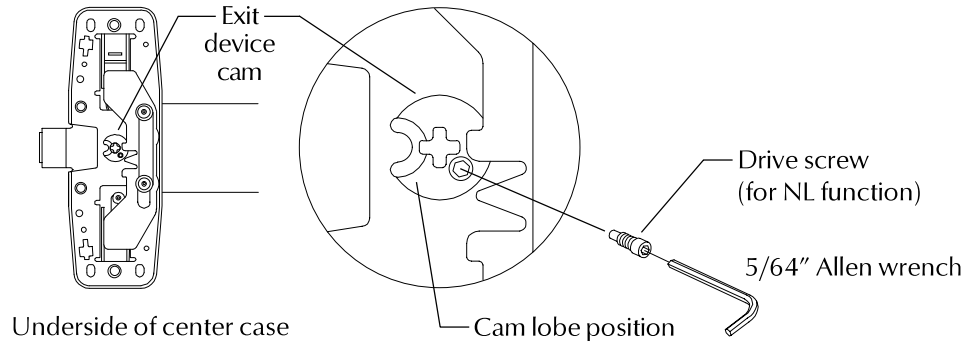


Figure 2. Install drive screw for NL function.

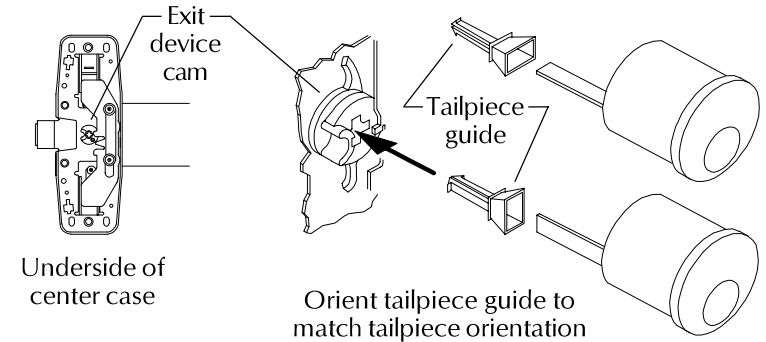


Figure 3. Install tailpiece guide in exit device cam.

Customer Service
1-877-671-7011 www.allegion.com/us



© Allegion 2014
Printed in U.S.A.
921002-00 Rev. 01/14-b