



941919-00

For 33A/35A Series Exit Devices

GBK-RV Glass Bead Shims Kit

VON DUPRIN®

Installation Instructions

1. Prepare inside face of door per device installation instructions.
2. Insert shims between the device and door (Figure 1).
Note: Shims are handed and flipped for RH or LH application.
3. Secure device with screws provided in this kit, see chart below.
4. For 33/3547A series device install rod connector extension (Figure 2).
5. For 33/3527A series device install rod guide shims (Figure 3).

Screw size & type		Application	1-3/4" door	2-1/4" door
A	1/4"-20 x 1-1/4" FPHMS	Surface, sex bolts, & trim	●	
	1/4"-20 x 1-3/4" FPHMS	Surface, sex bolts, & trim		●
B	#10-24 x 1" PPHMS	Surface & sex bolts	●	
	#10-24 x 1-1/2" PPHMS	Sex bolts		●
C	#10-24 x 1-1/8" PPHMS	Rim center case	●	●

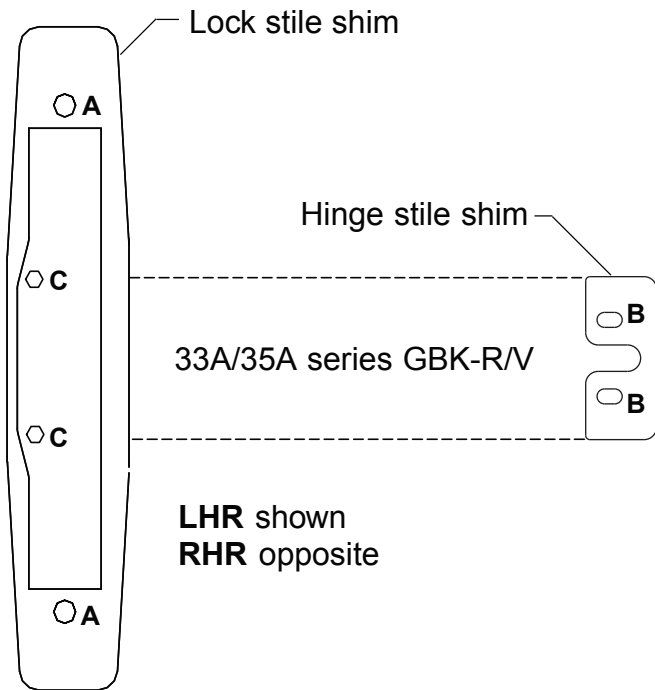


Figure 1

Rod connector extension for 33/3547A

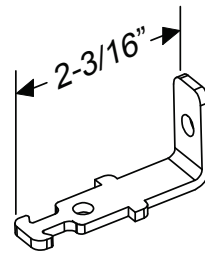
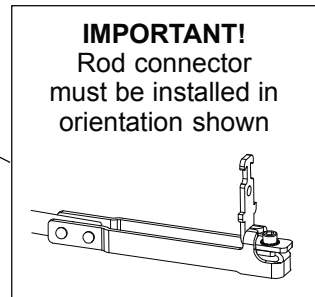


Figure 2



Rod guide shim for 33/3527A

Note: No special screws required

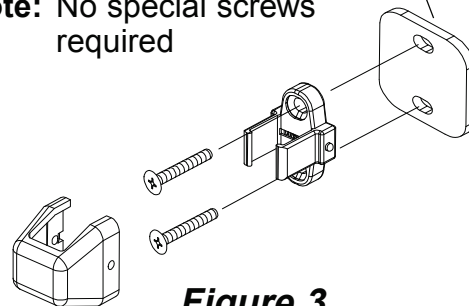


Figure 3



Customer Service

1-877-671-7011

www.allegion.com/us

© Allegion 2014
Printed in U.S.A.
941919-00 Rev. 06/14-b