



941018-00

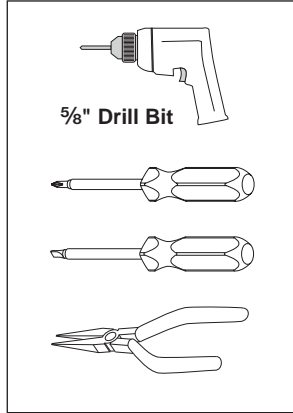
# QEL

# VON DUPRIN®

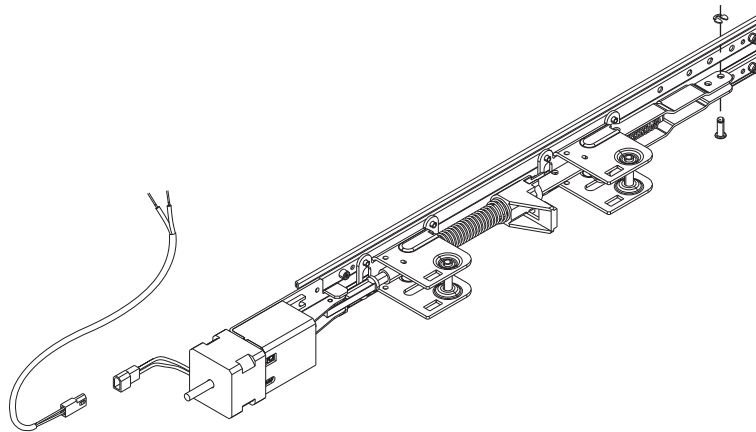
Conversion Kit

Installation Instructions

## READ THESE INSTRUCTIONS FIRST



1. This kit converts the following exit devices to quiet electric latch (QEL) retraction devices.  
33/35A Rim, 33/3527A, 33/3547A, and all 98/99 series
2. Install according to instructions or device will not function and panic or fire label will be void.
3. The QEL wiring must be attached to the fire alarm system if installed on fire exit hardware



### 1

To avoid risk of shock, disconnect AC power from power supply before proceeding with this conversion.

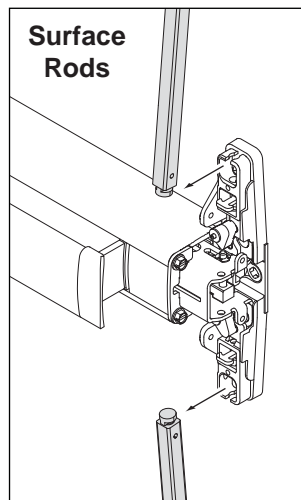


If using Battery Backup option, unplug all four wires from battery terminals.

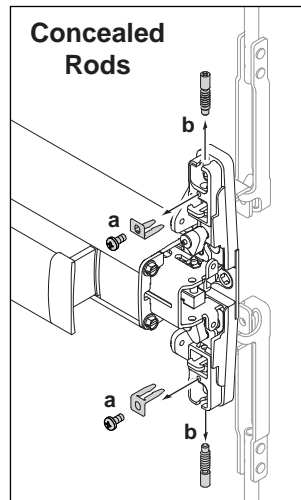
### 2

#### Detach Vertical Rods

Skip this step if device does not have vertical rods.



OR

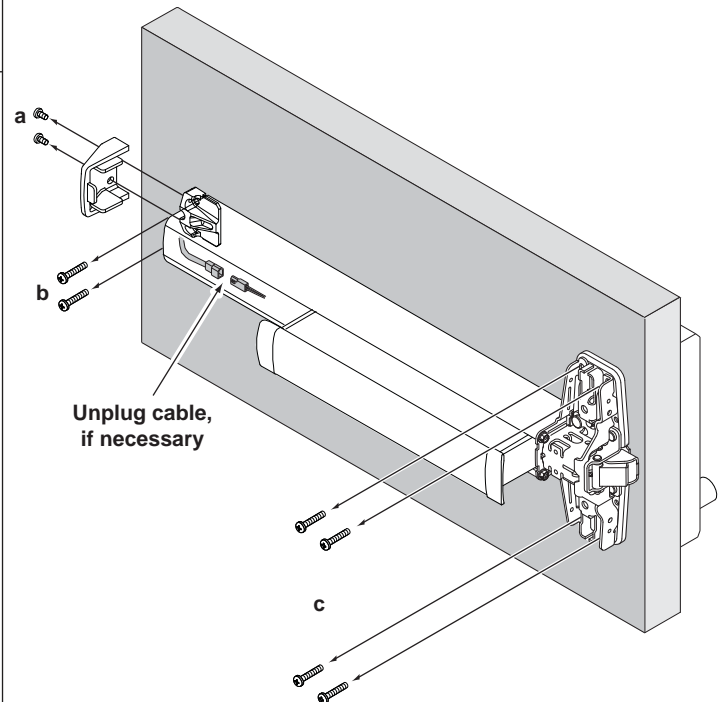


### 3

#### Remove Exit Device from Door

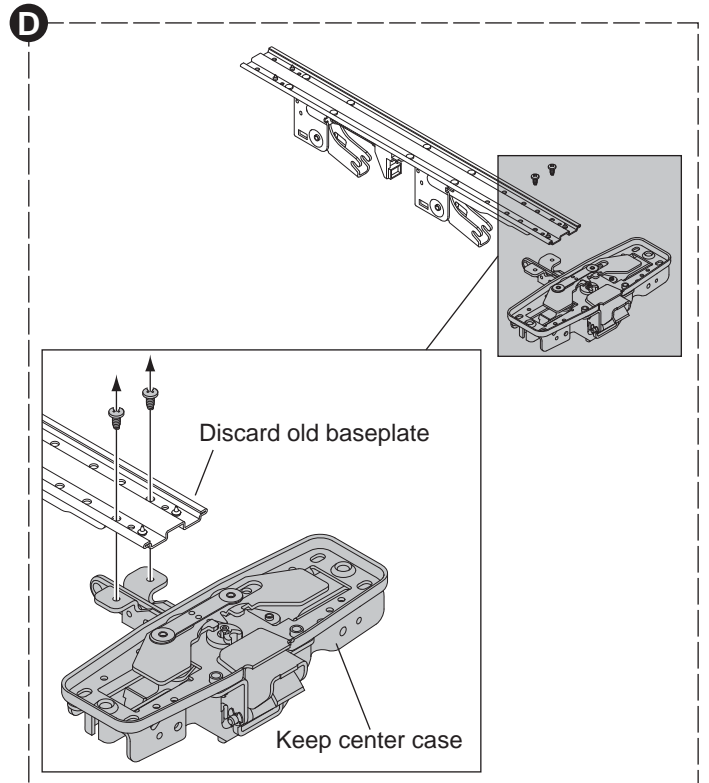
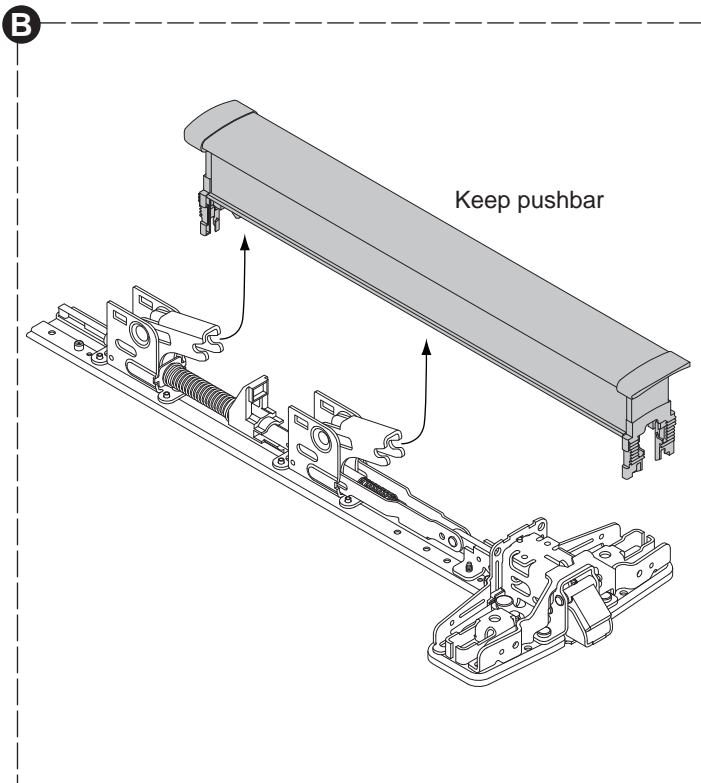
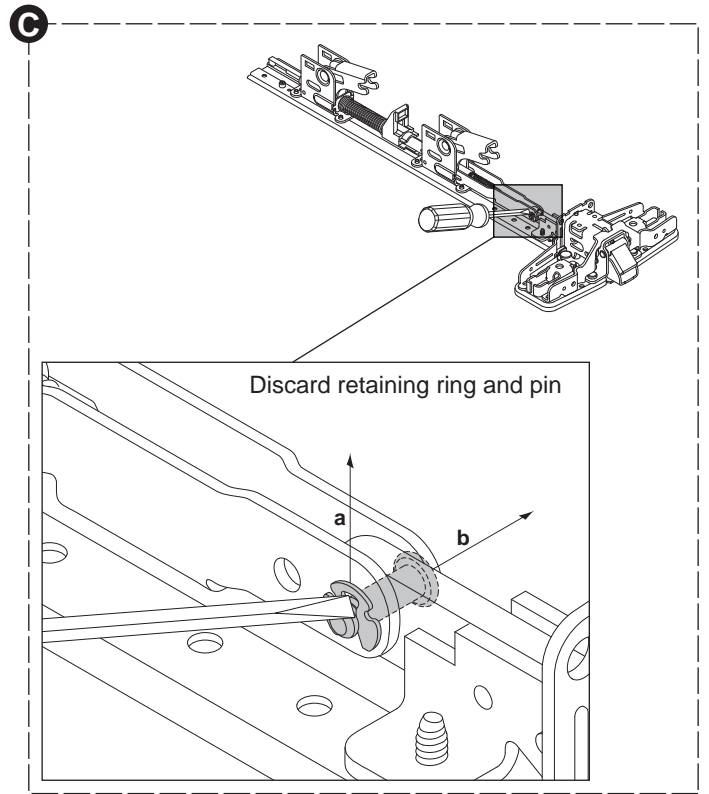
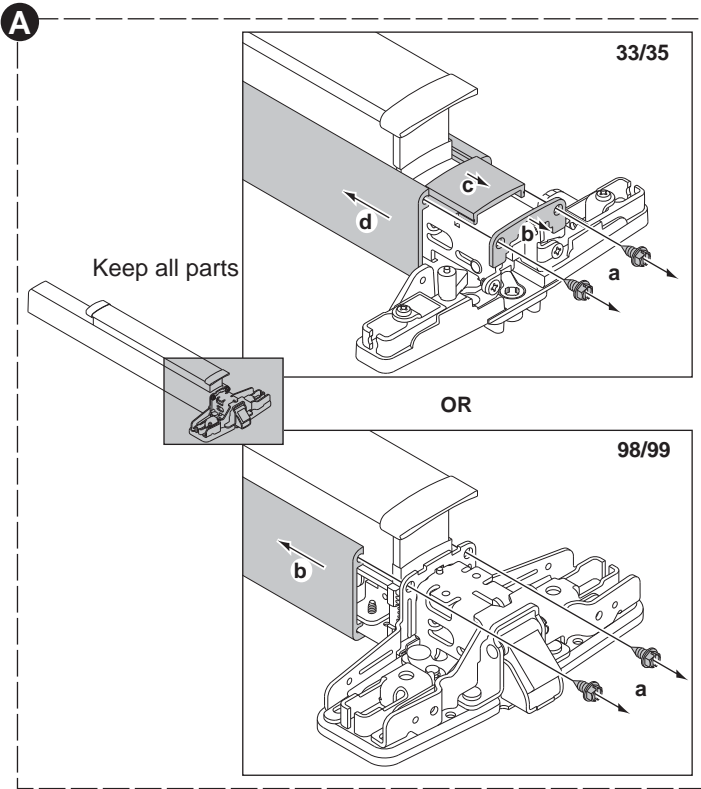


Device and trim must be held securely while screws are being removed, to prevent dropping to the floor

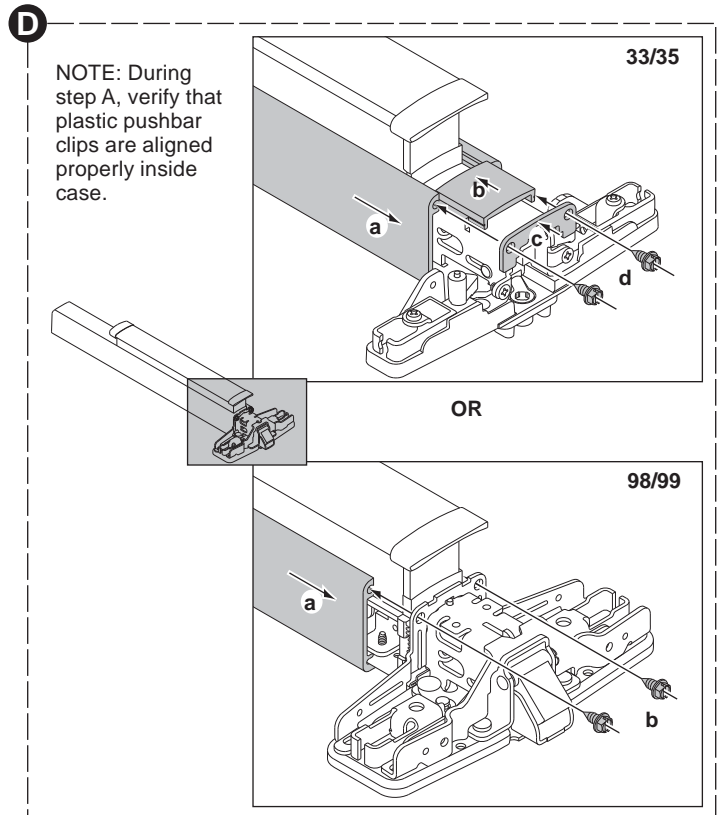
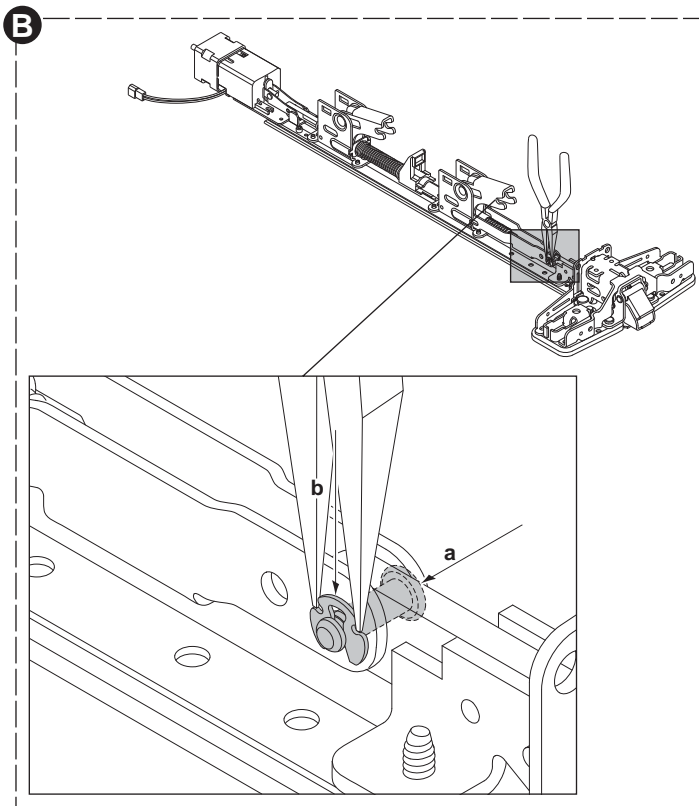
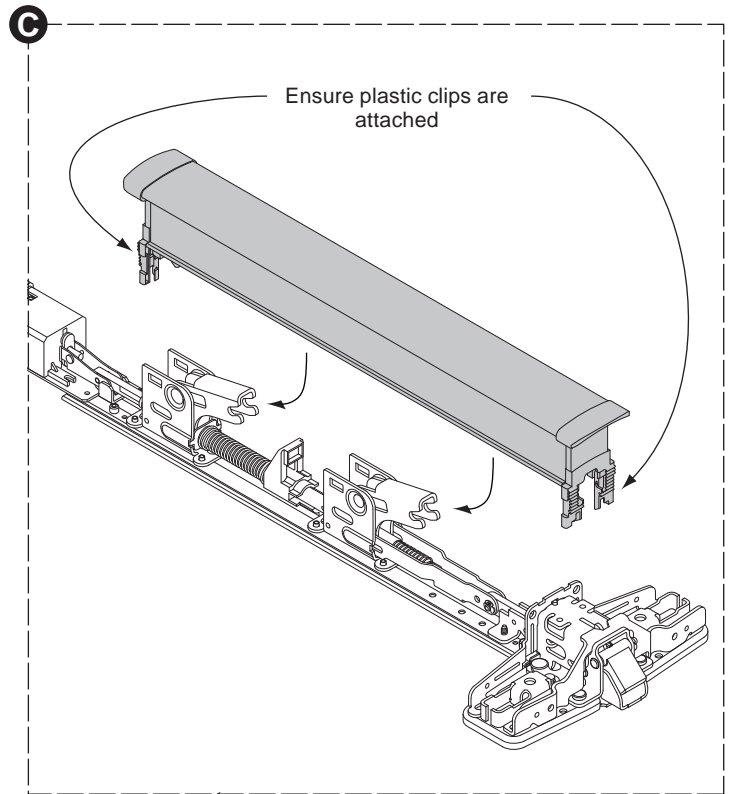
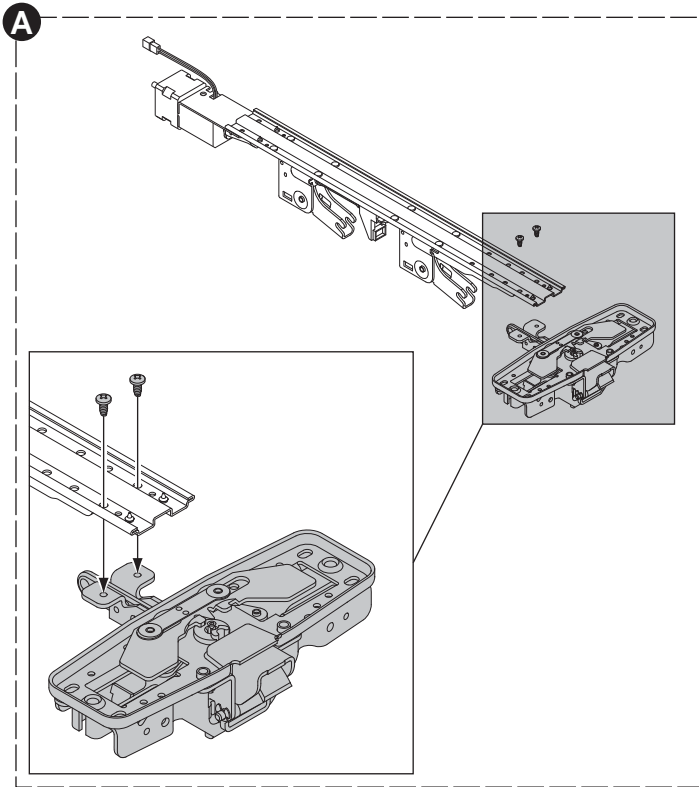


# 4

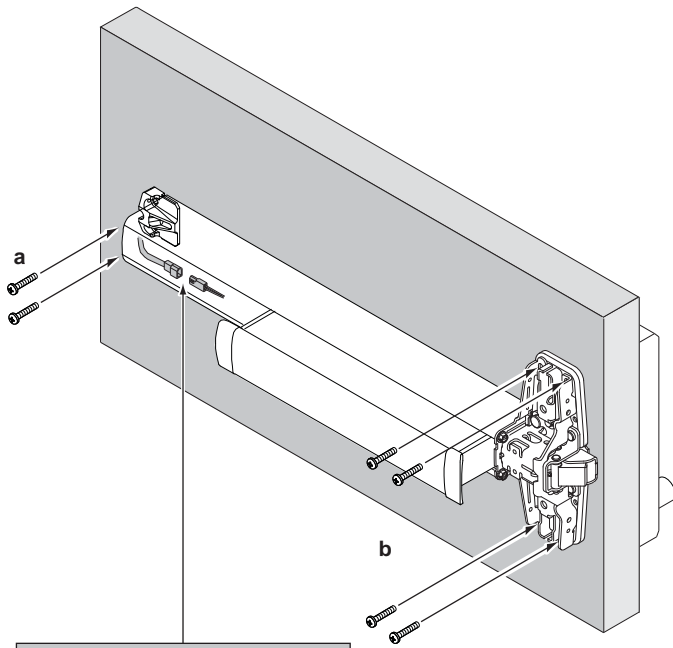
## Remove Old Baseplate Assembly



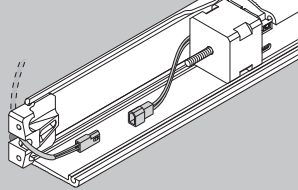
# 5 Install New QEL Baseplate Assembly



**6** Attach Exit Device to Door



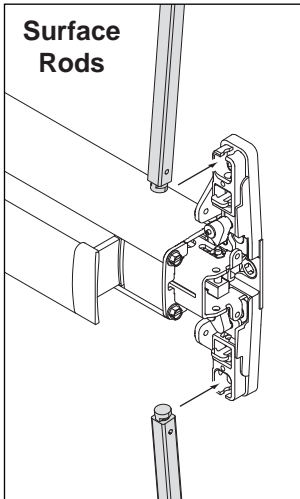
If cable is present,  
connect cable



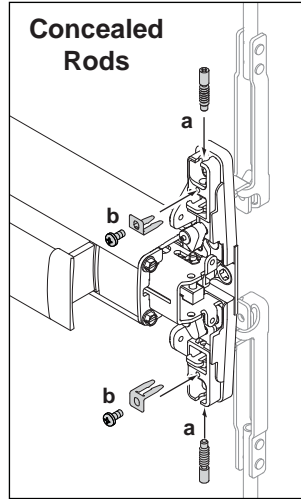
**8** Go to Instruction 24228413 for the following information:

- Drilling access hole in door
- Wiring the QEL system
- Checking operation
- Troubleshooting

**7** For Vertical Devices ONLY, Attach Vertical Rods:



OR



Customer Service

1-877-671-7011 www.allegion.com/us



© Allegion 2014  
Printed in U.S.A.  
941018-00 Rev. 01/14-c