

VON DUPRIN®

33/3550AWDC 98/9950WDC Series

Two-point latch for
wood door applications



Overview

The Von Duprin wood door concealed (WDC) system is available on the 98/99 and 33/35A series. This solution is designed specifically for wood door applications where exit devices are required. Instead of traditional rods, concealed vertical cables are utilized. Making use of this proven technology enables quick installation and allows for easy maintenance.

This WDC system provides superior security without compromising aesthetics. The innovative latch design provides superior strike engagement and deadlocking without the need for additional hardware. In addition, the prep for concealed cables requires less material to be removed, which protects the structural integrity of the wood door. This allows the hardware to be more discrete than traditional concealed vertical rod systems that require unsightly metal wraps.

Allegion offers solutions for any opening within your facility with consistent design elements throughout. All WDC finishes and lever designs suite with the existing 98/99, 33A/35A, and 94/95 series devices; as well as with the Schlage LM9200 series, L mortise lock, and LT tubular locks. Furthermore, we maintain an unwavering commitment to quality and reliability, so you can be sure that at critical moments of life safety your device will perform.

Key features

- Concealed vertical cables instead of rods for quick installation and adjustment
- Latches are designed for optimized door prep, retaining the structural integrity of the door
- Self-adjusting bottom bolt that deadlocks in any adjustment position providing enhanced security
- Accessible adjustment from edge of door
- Fire-rated applications without the use of metal wraps (up to 45 minute rating)
- Over 30 lever designs that suite with other Von Duprin exits devices (33A/35A, 98/99, and 94/95 series) and Schlage Locks (L mortise locks, LM9200 series, and LT tubular locks).

Product detail

- 1** Concealed vertical cables instead of rods for quick installation & adjustment
- 2** Latches are designed for optimized door prep, retaining the structural integrity of the door
- 3** Self-adjusting bottom bolt that deadlocks in any adjustment position providing enhanced security
- 4** Accessible adjustment from edge of door

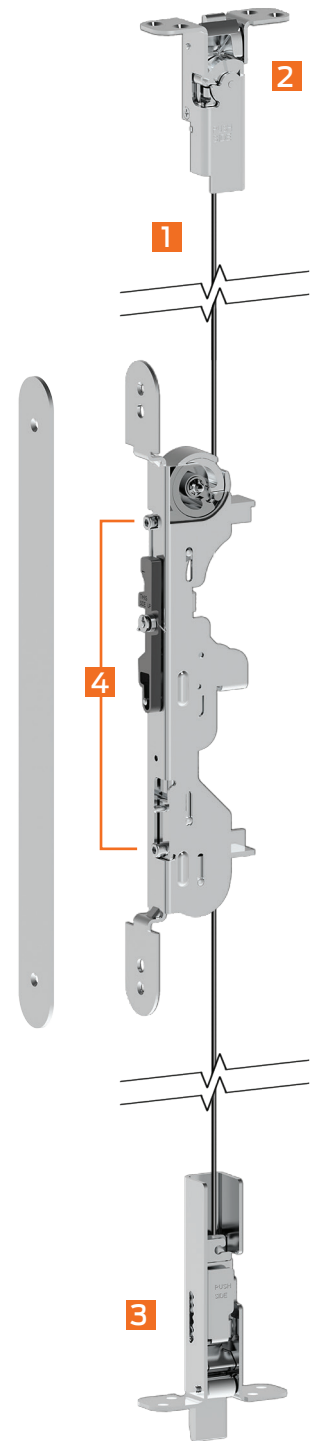
Ordering instructions

9850WDC Series exit device

Prefix	Device Series/ Type	Trim Functions	Rating	Suffix	Finish	Door opening height	Trim Option/ Finish	Lever Style
QEL	9850WDC	L	F	LBL	US26D	7'	996L/US26D	06

Exit device specifications

Prefix	Additional mechanical and electronic options are available. See product catalogs or price book for more information. CS - Complete cable system	
Device Series/Type	33/3550AWDC Vertical cable device 98/9950WDC Vertical cable device	
Trim Functions	See product catalogs or price book for additional functions.	
Rating	F - Fire rated door hardware (Note: requires fire rated wood door) Blank - Panic exit hardware	
Suffix	LBL - Less bottom latch LCS - Less cable system (device only)	
Finish	US3, US4, US10, US15*, US26, US26D, US28, US32D*, 313, 315, 643e (-AM - Antimicrobial available with US26D and US32D) *for 35 and 98 series devices only	
Door opening height	Specify door opening height (distance from bottom of frame header to finished floor) Standard range = 6'8" - 10'	
Handing	LHR (Left hand reverse)	RHR (Right hand reverse)
Trim option / Finish	See product catalogs or price book for additional trim options and finishes.	
Lever style	Standard levers: 01, 02, 03, 05, 06, 07, 12, 16, 17, 18, ACC, AST, LAT, LON, MER, STA Decorative levers: M51, M52, M53, M54, M55, M56, M57, M61, M62, M63, M81, M82, M83, M84, M85	



Product suiting

The Schlage LM9200 series is specifically designed to suite with the following products:



Von Duprin 98/99 exit devices

Grade 1

Von Duprin created the first exit device in 1908, and continues to redefine the industry today with unsurpassed quality and industry-unique features such as concealed vertical cables. The 98/99 Series exit device is intended for standard-stile doors.



Von Duprin 33A/35A exit devices

Grade 1

Offering the same innovative features as the 98/99, the 33A/35A Series is intended for narrow stile doors.



Von Duprin 94/95 exit devices

Grade 1

The 94/95 has the pushbar trim recessed into the door to minimize the external profile, allowing more room for people and equipment to pass through the opening.



Schlage L Series mortise locks

Grade 1

Schlage L Series locks have long been the industry standard for mortise locks, with a comprehensive offering of functions and options to support any opening need.

Schlage LT Series tubular locks

Grade 2

The perfect compliment to the Schlage L or LM Series and Von Duprin exit devices. The LT Series tubular lock provides a consistent look and feel at a lower price point for less demanding applications.