

BARAN AT

Piezoelectric Switches, Keypads & Data Transfer Manufacturer

Anti vandal proximity reader

cat. 39201485



The EVERSWITCH anti vandal 125 KHz HID proximity reader provides the ultimate solution for users operating in harsh environment high traffic areas.

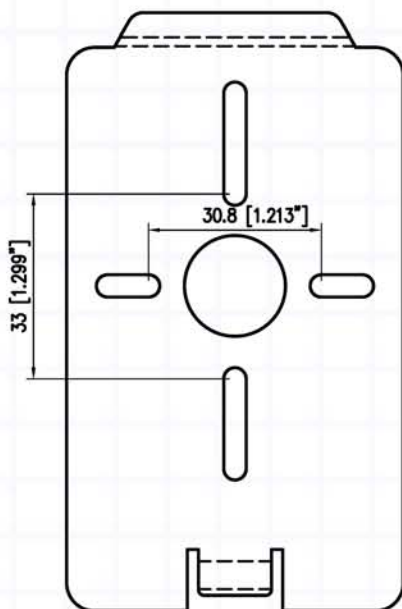
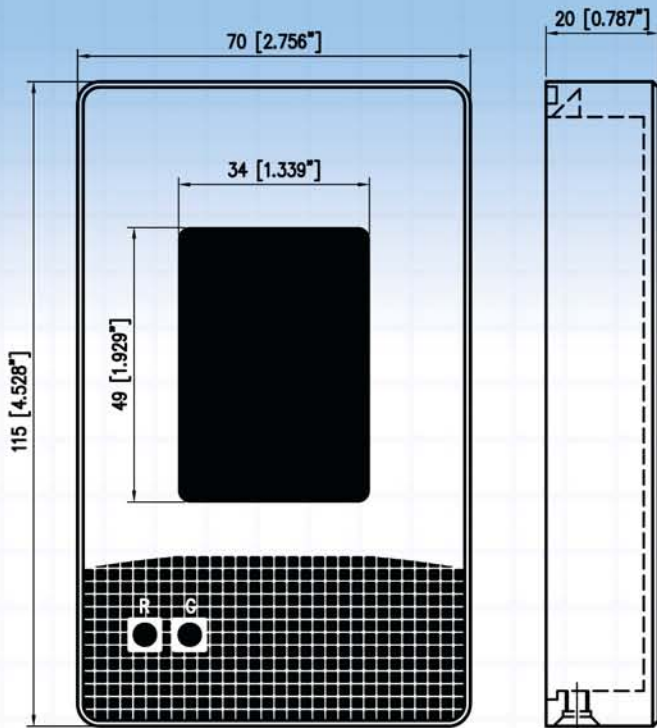
Indoor/Outdoor design: Sealed in a rugged, weatherized Aluminum enclosure the EVERSWITCH is designed to withstand harsh environment, providing reliable performance and is vandal and tamper proof.

Easily interfaced: Wiegand output model interfaces with all existing Wiegand protocol access control systems.

The EVERSWITCH / HID proximity is:

- * Vandal proof
- * Tamper proof
- * Weather proof
- * Water and dust proof IP68

EVERSWITCH
EVERSWITCH
PROXIMITY
BIOMETRIC
SMART CARD
MAGSTRIPE



Specifications

Model: EVERSITCH/HID anti vandal reader

Part numbers: 39201485

Material: Brushed aluminum

Output formats: Wiegand depending on Card

Prox Power Supply: 8 to 15 VDC

Data Format: Wiegand depending on Card

Power consumption: Max 150mA

Transmitter/Receiver frequency: 125 KHz HID card Age reader

Environment: IP68

Operation temperature reader: -20° to +75°C

Guaranty

Product guaranteed against defects and workmanship for 5 years (See guaranty policy for details).

Third party system such as prox, smart card, card reader system warranted back to back as per the manufacturer warranty.