

YES! FINALLY . . .

One Bracket Fits
All Frame Dimensions



Item No. 600D
Patent Pending



600 Series Coordinator's New Inline Mounting Bracket

- **Low Profile Appearance:** The Inline Mounting Bracket enhances the look of the 600 Series Coordinator when mounting door hardware to the soffit. ie: Parallel Arm Closers, Non-fire-rated Vertical Rod Strikes.
- **Easy Ordering:** Soffit widths are no longer a concern. The 600D is specified for all frame dimensions eliminating the need to order two different style mounting brackets. One bracket per soffit-applied door hardware.
- **Easy Installation:** Mounts directly through the coordinator by two thread forming screws.
- **Finishes:** Available in Black Prime Coat and Powder Coat Gray to match 600 Series Coordinator.
- **Country of Origin:** 100% Made In The U.S.A.

DCI IS PROUD TO MANUFACTURE IN THE USA



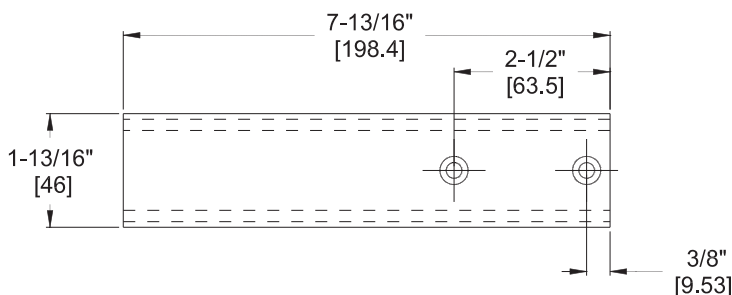
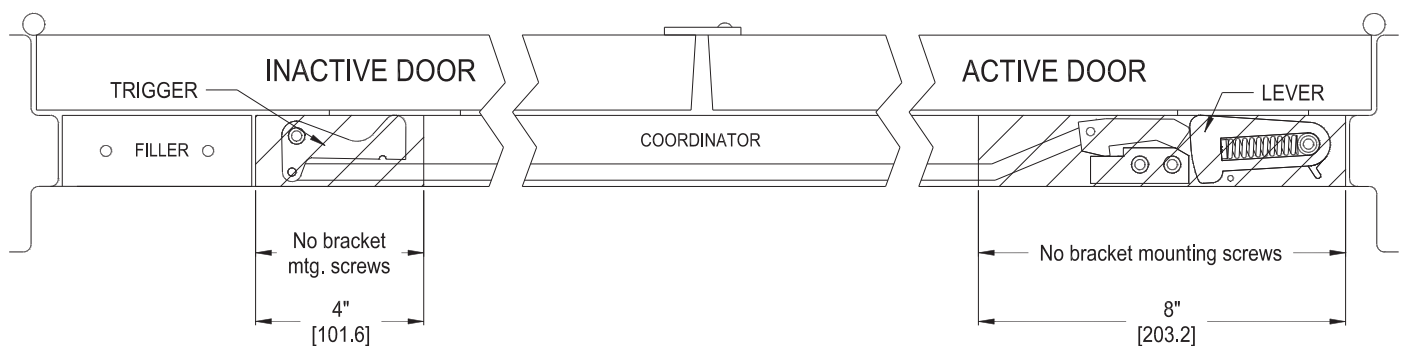
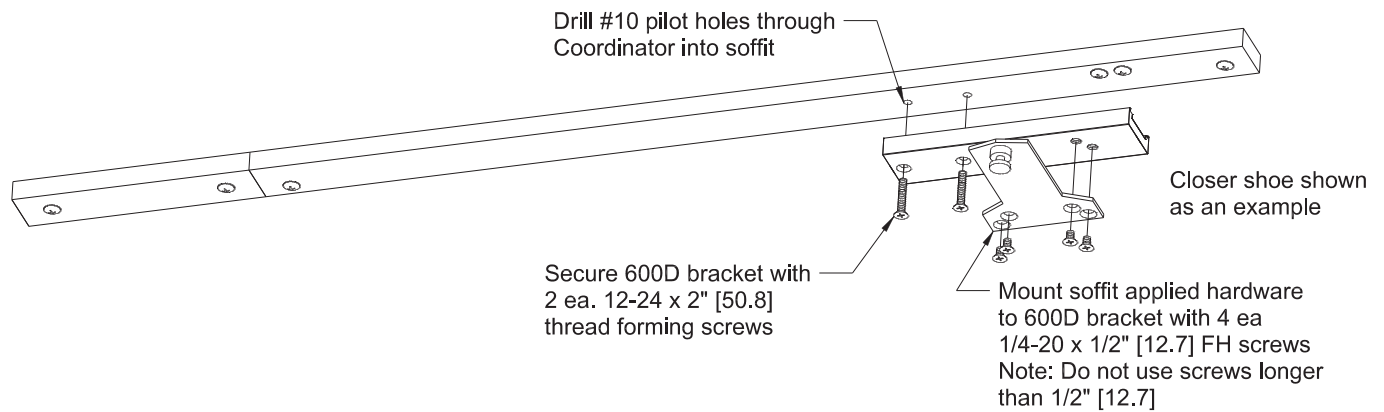
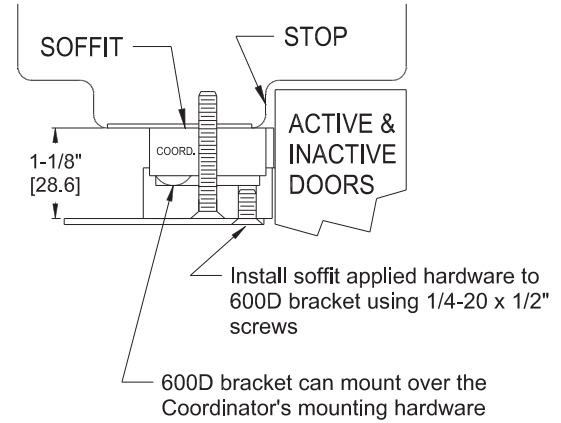
Door Controls International®

2362 Bishop Circle East • Dexter, MI 48130 / P: 800.742.3634 • F: 800.742.0410
www.doorcontrols.com • E: sales@doorcontrols.com

The 600D Inline Bracket is used to mount parallel arm closers, non-fire rated vertical rod strikes, or any other soffit applied hardware when using the 600 Series Coordinator. The 600D bracket mounts through the Coordinator allowing for installation on any frame dimension regardless of the soffit width.

Installation Instructions:

1. Mount the 600 Series Coordinator per instructions.
2. Position 600D bracket at desired location.
3. Locate and mark 600D mounting holes onto Coordinator.
Note: Do not drill in shaded areas highlighted in the drawing below.
4. Drill 2 ea. #10 pilot holes through Coordinator and into the soffit.
5. Secure 600D bracket to 600 series Coordinator by using 2 ea. 12-24 x 2" [50.8] thread forming screws.
6. Drill and tap 600D bracket for soffit applied hardware.
7. Install soffit applied hardware with 4 ea 1/4-20 x 1/2" [12.7] FH screws.
Note: Do not use screws longer than 1/2" [12.7].



Patent Pending

Dimensions in [] denotes millimeters



DOOR CONTROLS INTERNATIONAL®

2362 Bishop Circle East
Dexter, MI 48130 U.S.A.