

LOCK INTO THE ACSI ADVANTAGE

C1500M Motor Drive Cylindrical Lock Series

Features

- Simple user selectable Fail-Safe/Fail-Secure operation
- Automatic 12V or 24V, AC or DC operation
- Low current draw
- UL and cUL Listed
- California State Fire Marshall approval

Options

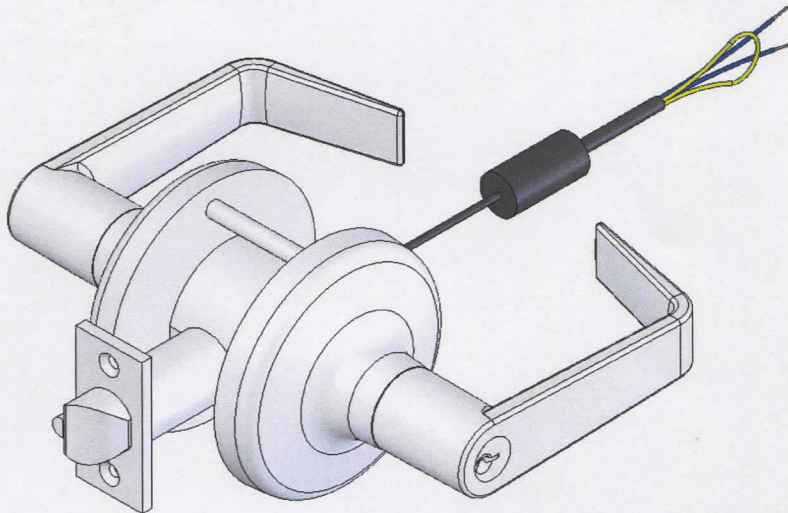
- Authorized Egress (Request-to-Exit)
- ASSA or Allegion quick-connect cables available

Manufacturers Available

- Schlage
- Sargent
- Corbin
- Yale
- Arrow
- Hager
- Design Hardware
- Falcon
- Stanley Commercial
- Tell Manufacturing

Technical Specifications

- 10.8V - 26.4V Operating Range
- 250mA MAX Inrush
- 10mA MAX Holding
- Non-polarized Leads



Available January 2016



For more information contact the factory at 1-800-753-5558 or visit www.acsi-inc.com

2720 CLARK AVENUE • SAINT LOUIS, MO, 63103 • 314/652-5588 • FAX 314/652-2090 • 800-753-5558 • WWW.ACSI-INC.COM