



## NDE Series

Wireless lock with  
ENGAGE™ technology



### Overview

The Schlage® NDE Series wireless lock with ENGAGE™ technology is designed to be easy to install, connect, manage, and use. Developed specifically for facilities that want to upgrade to electronic credentials for improved security and efficiency, it is ideal for interior office doors, common area doors, and sensitive storage spaces with a cylindrical door prep.

NDE Series wireless locks simplify installation by combining the lock, credential reader, door position sensor and request-to-exit switch all in one unit. NDE Series wireless locks utilize the standard ND cylindrical door prep and can be installed in minutes with only a Phillips screwdriver; no need to install additional components, drill holes or run wires to each opening.

ENGAGE cloud-based web and mobile apps make it easy to configure lock settings, add users, and view audits and alerts from anywhere. For advanced capabilities including user schedules, auto unlocks & holidays, NDE Series wireless locks can be managed with software from our access control alliance partners. NDE Series wireless locks can be updated at the lock with the ENGAGE mobile app, automatically daily over Wi-Fi<sup>2</sup> or in real-time when connected to an ENGAGE gateway.

NDE Series wireless locks with ENGAGE technology are compatible with most proximity and smart cards including aptiQ™ and aptiQmobile™. For additional details please refer to the NDE Integrations which can be found under the Alliances menu on our website.

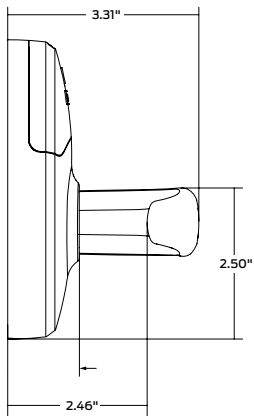
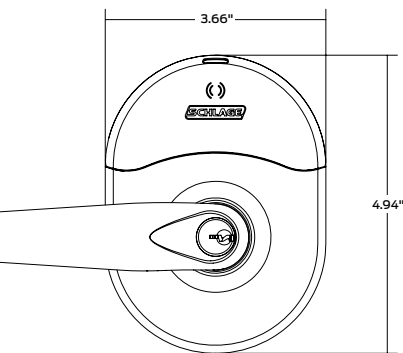
### Features and benefits

- Designed to be the easiest electronic lock to install, connect, manage, and use
- Fits mechanical ND Series door prep with no additional holes
- Installs in minutes with only a Phillips screwdriver
- Lever handing is field reversible in seconds; no tools required
- Innovative integrated door position sensor requires no additional door prep
- Manage lock configuration and users from anywhere using the ENGAGE web and mobile apps<sup>1</sup>
- Send updates at the lock, with the ENGAGE mobile app automatically daily when connected to Wi-Fi,<sup>2</sup> or in real time when linked to the new ENGAGE gateway and connected to one of our Access Control Alliance partner systems
- Up to 2 years of battery life with 4 AA batteries
- Compatible with major brands of key systems
- ANSI/BHMA A156.25, ANSI/BHMA Grade 1, UL 294, UL10C, FCC Part 15, ADA, RoHS, Industry Canada (IC)

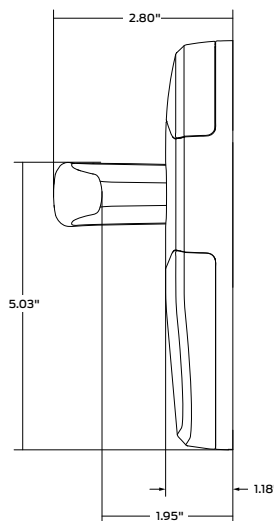
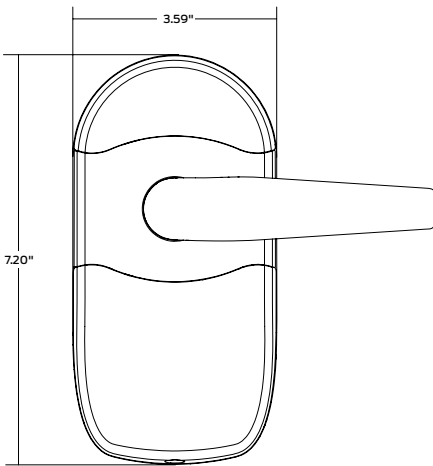
<sup>1</sup> When using the ENGAGE cloud-based access management tool

<sup>2</sup> Daily updates will occur within 24 hours as scheduled by the host

**Exterior of the lock**



**Interior of the lock**



Schlage · NDE Series

**NDE Series wireless lock specifications**

|                              |  |
|------------------------------|--|
| Users                        | Up to 5,000 <sup>1</sup>   |
| Audits                       | Up to 2,000 <sup>2</sup>   |
| Credential verification time | ≤ 1 second <sup>3</sup>  |
| Visual communications        | LED (red, amber, green)  |
| Audible communications       | Audible indicator (field configurable)   |
| Communication standards      | <ul style="list-style-type: none"> <li>2.4 GHz Wi-Fi® (IEEE 802.11b/g)</li> <li>WPA2 (Personal), WPA2 Enterprise (PEAP), WPA, WEP</li> <li>Bluetooth low energy (version 4.0)</li> <li>Transport Layer Security (TLS) version 1.0</li> <li>Advanced Encryption Standard (AES), 256-bit</li> </ul>  |
| Communication range          | Up to 100 ft.  |
| Wake-Up on Radio             | Responds to command from host in less than 5 seconds when used with Alliance Partner system and ENGAGE gateway   |
| Data rate                    | Up to 54 Mbps via Wi-Fi  |
| Connectivity options         | <ul style="list-style-type: none"> <li>ENGAGE mobile app (update at the lock)</li> <li>Wi-Fi access point (automatic daily update<sup>9</sup>)</li> <li>Gateway with ENGAGE technology (real time)                             <ul style="list-style-type: none"> <li>RS-485 to partner ACP or IP to partner host</li> </ul> </li> </ul> |
| Battery life                 | Up to 2 yrs with 4 AA batteries <sup>4</sup>   |
| Operating temperature        | For interior doors. 32° to 120°F (0° to 49°C)  |
| Operating humidity           | 0 - 100% non-condensing  |
| Certifications               | ANSI/BHMA A156.25-2013, ANSI/BHMA A156.2-2011, Series 4000, Grade 1, UL 294, UL 10C, CSA C22.2 No. 205-M1983, FCC Part 15, IC RSS-210, ADA, RoHS, ICC ANSI A117.1  |

**Functions**

- Storeroom with Vandgard®

**Available status signals**

- Request-to-exit
- Door position
- Interior cover tamper guard<sup>5</sup>
- Battery status
- Lock/unlock status<sup>6</sup>
- Communication status<sup>5</sup>

**Flexible solutions**

NDE series locks can be connected in multiple ways to fit any size budget or business.

- 1 Mobile app
- 2 Wi-Fi Daily<sup>9</sup>
- 3 Real-time

**ENGAGE™ cloud-based web and mobile applications**



The ENGAGE cloud-based mobile and web applications deliver simple and convenient site set-up, updates and basic access management for users and locks.<sup>1,3</sup>

**ENGAGE mobile app**

- Add and configure locks<sup>7,8</sup>
- Add new users and enroll credentials<sup>7,8</sup>
- View audits and alerts by door
- Send updates to locks
- Perform lock diagnostics
- Requirements: iOS 8 or later (on iPhone 4S or newer); Android 4.4 (Kit Kat) or later

**ENGAGE web app**

- Configure locks<sup>7,8</sup>
- Add new users and enroll credentials<sup>7,8</sup>
- View audits and alerts by door
- Requirements
  - Internet Explorer 11.0 or later
  - Chrome 38.0 or later
  - Firefox 33.0 or later
  - Safari for Mac OS X 10 +



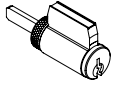
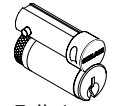

<sup>1</sup> Maximum database storage capacity of lock. Can vary upon partner database capacity when paired with an ENGAGE Gateway RS-485 to ACP  
<sup>2</sup> Maximum audit storage capacity of lock. Can vary upon partner audit storage capacity when paired with an ENGAGE Gateway RS-485 to ACP  
<sup>3</sup> Response time does not include latency time of host when paired with an ENGAGE Gateway  
<sup>4</sup> Assuming 13.56 MHz CSN credential, 100 actuations and one Wi-Fi update per day

<sup>5</sup> Consult your access control software provider for specific scope of support  
<sup>6</sup> Software indicates lock/unlock status based on sequence of events  
<sup>7</sup> When using the ENGAGE cloud-based access management tool  
<sup>8</sup> Requires internet connection  
<sup>9</sup> Daily update will occur within 24 hours as scheduled by the host





## Mechanical specifications

|                                     |   |
|-------------------------------------|---|
| Chassis                             | Cylindrical   |
| Handing                             | Right-handed from factory. Field reversible in seconds (no tools required)  |
| ANSI standard<br>(Meets or exceeds) | ANSI/BHMA A156.25-2013<br>ANSI/BHMA A156.2-2011, Series 4000, Grade 1   |
| Door thickness                      | Standard: 1 3/8" - 2" (41mm - 51mm) only  |
| Backset                             | Standard: 2 3/4" (70mm)<br>Optional: 2 3/8" (60mm)  |
| Latch bolt                          | Standard: 1/2" (12mm) throw deadlatch (steel)<br>Optional: 3/4" (19mm) throw anti-friction deadlatch available for pairs of fire doors  |
| Levers                              | Pressure cast zinc, plated  |
| Strike                              | Standard: 1 3/16" lip, ANSI, DPS, 1 1/4" x 4"<br>Optional: Additional strikes, lip lengths and ANSI strike box available  |
| Cylinder and keys                   | Standard: Schlage 6-pin Everest 29 S123 keyway cylinder with two patented keys. Additional keying options available, including standard and interchangeable cores, competitor brands, master keying and grand master keying |

## Compatible key systems

|                            |  |  |  |
|----------------------------|---|---|---|
|                            | Key-in-lever cylinder   | Full size interchangeable core  | Small format interchangeable core   |
| <b>Schlage key systems</b> |   |   |   |
| Primus XP                  | ■   | ■   | —   |
| Everest 29                 | ■   | ■   | ■   |
| Classic                    | ■   | ■   | —   |
| <b>Other key systems</b>   |   | (6-pin)   |   |
| Sargent®                   | ■   | ■   | ■   |
| Corbin Russwin®            | —   | ■   | ■   |
| Yale®                      | —   | ■   | ■   |

## Cylinder options (How to order)

| Cylinder  | Order Suffix | Description  |
|---|--------------|--|
|    | LD SAR       | Sargent® Key-in-Lever  |
|    | JD SAR       | Sargent Full Size Interchangeable Core 6-pin Cylinder        |
|  | JD C06       | Corbin Russwin Full Size Interchangeable Core 6-pin Cylinder |
|  | JD YA6       | Yale Full Size Interchangeable Core 6-pin Cylinder           |

## Multi-technology reader specification

|  |   |
|--|---|
| Frequency                                    | 125 kHz proximity and 13.56 MHz smart credential  |
| Standards                                    | ISO standard 15693 and ISO 14443  |
| Maximum read range                           | Up to 1.25" on 125 kHz proximity, up to 0.75" on 13.56 MHz smart credential   |
| 125 kHz compatibility                        | Schlage Proximity, XceedID™ Proximity, HID® Proximity, GE/CASI ProxLite®, AWID® Proximity, LenelProx®   |
| 13.56 MHz compatibility                      | Schlage MIFARE® Classic Secure Sector, XceedID™ MIFARE® Classic Secure Sector, aptiQmobile, aptiQ smart credentials using MIFARE DESFire™ EV1 with PACSA                              |
| 13.56 MHz compatibility (serial number only) | DESFire® CSN, HID iCLASS® CSN, Inside Contactless PicoTag® CSN, MIFARE®, MIFARE DESFire™ EV1, ST Microelectronics® CSN, Texas Instruments Tag-It® Serial Number, Phillips I-Code® CSN |

## Benefits of NDE Series multi-technology readers:

- Reads both proximity (125 kHz) and smart (13.56 MHz) technologies with single device
- NDE Series multi-technology readers are NFC compatible<sup>1</sup> and enable use with aptiQmobile credentials
- Allows end user to migrate to more secure credentials over time and as budgets permit

<sup>1</sup> Please refer to aptiQmobile compatibility chart for a list of certified devices

# Ordering information

NDE- 80 - PD -SPA-626

| Series | Function | Lever cylinder | Outside     |        | Inside      |        | Backset and latch | Strike | Dim | Additional details |
|--------|----------|----------------|-------------|--------|-------------|--------|-------------------|--------|-----|--------------------|
|        |          |                | Lever style | Finish | Lever style | Finish |                   |        |     |                    |
| 1      | 2        | 3              | 4           | 5      | 6           | 7      | 8                 | 9      | 10  | 11                 |

Selections correspond with the numbers above

Standards options are indicated in bold. See price book for specific configuration options.

|  |                             |
|--|-----------------------------|
| <b>3</b>   | <b>Lever cylinder type</b>  |
| PD   | Schlage 6-pin full cylinder |
| See price book for other SFIC, FSIC and Less Cores options available. Compatible with Schlage, Sargent, Corbin and Yale. |                             |
| <b>4/6</b>   | <b>Lever style</b>          |
| SPA  | Sparta                      |
| RHO  | Rhodes                      |
| ATH  | Athens                      |
| Available with tactile surface   |                             |
| <b>5/7</b>   | <b>Finish</b>               |
| 626  | Satin chrome                |
| 605  | Bright brass                |
| 606  | Satin brass                 |
| 612  | Satin bronze                |
| 619  | Satin nickel                |
| 625  | Bright chrome               |
| 643e   | Aged bronze                 |
| 626AM  | Satin chrome antimicrobial  |

|   |  |
|---|--|
| <b>8</b>  | <b>Backset and latch</b>   |
| <b>13-047</b>   | <b>2 3/4" backset, deadlatch, square corner, 1 1/8" x 2 1/4"</b> |
| See price book for additional backset and latch options   |  |
| <b>9</b>  | <b>Strike</b>  |
| <b>10-130</b>   | <b>1 3/16" lip, ANSI, DPS, no box, 1 1/4" x 4 7/8"</b>           |
| See price book for other available strikes  |  |
| <b>10</b>   | <b>Dim (strike lip length)</b>                                   |
| <b>138</b>  | <b>1 3/8" non-standard lip length</b>                            |
| Enter only for non-standard strike lip lengths. See price book for other available non-standard lengths |  |
| <b>11</b>   | <b>Additional details</b>  |
| <b>S123</b>   | <b>Everest 29</b>  |
| See price book for other available keyway options including master keying                               |  |

## Lever styles

Standard cylinders shown, SFIC and FSIC also available.



Sparta



Rhodes



Athens

## Finishes

Warm tone finishes



605  
Bright brass

606  
Satin brass

612  
Satin bronze

643e  
Aged bronze

Cool tone finishes



619  
Satin nickel

625  
Bright chrome

626  
Satin chrome

626AM  
Satin chrome with antimicrobial

Allegion, the Allegion logo, aptiQ, aptiQmobile, Schlage, the Schlage logo, ENGAGE technology, the ENGAGE technology logo, and XceedID are trademarks of Allegion plc, its subsidiaries and/or affiliates in the United States and other countries. All other trademarks are the property of their respective owners.

## About Allegion

Allegion (NYSE: ALLE) is a global pioneer in the field of safety and security. We keep people and their property safe, wherever they are, bringing together simple solutions and advanced technology. Allegion is a \$2 billion company, with products sold in almost 130 countries.

For more, visit [www.allegion.com](http://www.allegion.com).