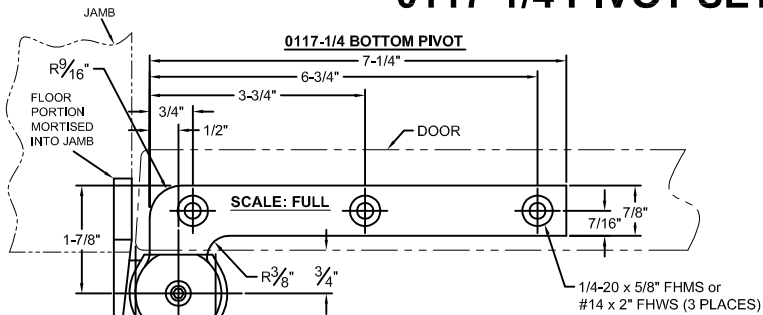
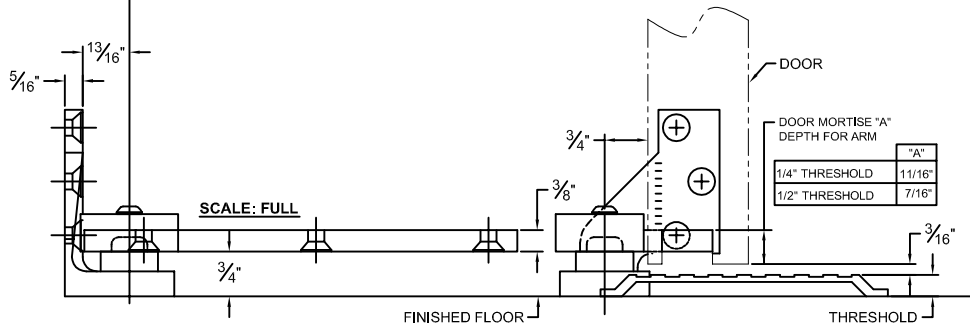
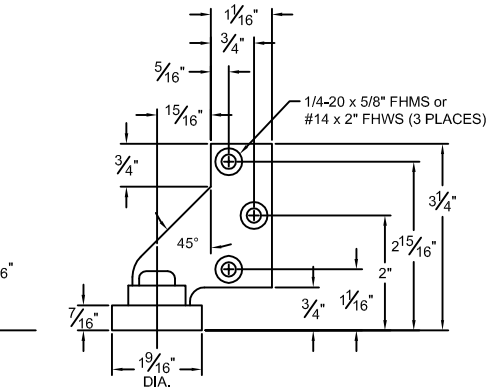
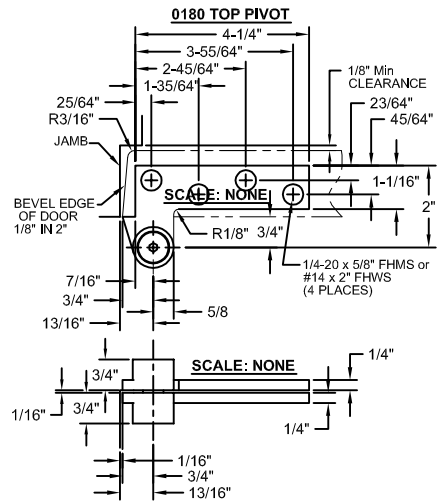


0117-1/4 PIVOT SET, 3/4" OFFSET



- NOTES:
1. PIVOTS DRILLED FOR 1/4-20 FHMS OR #14 FHWS.
 2. REINFORCING BY OTHERS.
 3. IT IS THE DOOR AND FRAME MANUFACTURERS RESPONSIBILITY TO CHECK THE HARDWARE SCHEDULE AND PREP THE DOORS AND FRAMES.
 4. CENTERLINE OF TOP PIVOT PIN MUST BE PLUMB AND STRAIGHT WITH BOTTOM PIVOT.
 5. RIGHT HAND SHOWN.



TITLE BLOCK SCALE: 1.5



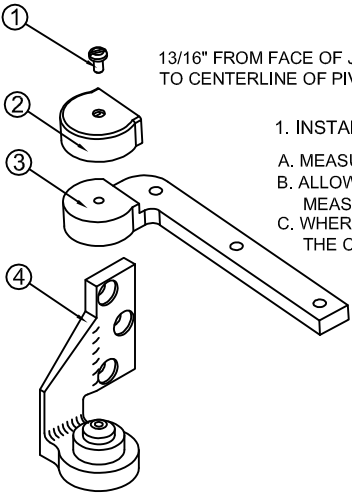
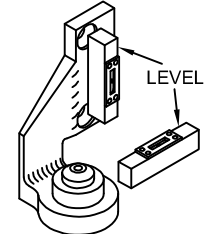
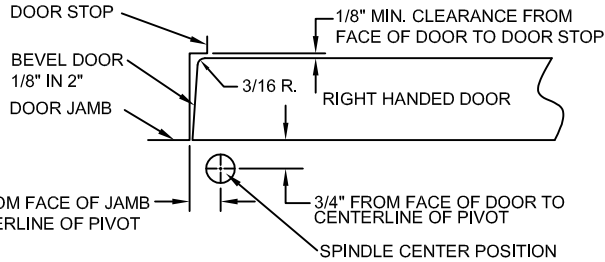
www.abhmfg.com
 E-mail: abhinfo@abhmfg.com
 Architectural Builders Hardware Mfg., Inc.
 1222 Ardmore Ave., Itasca, IL 60143
 630.875.9900; FAX 800.9FAXABH (932.9224)

© 2007 ABH Mfg., Inc.
 printed in USA

0117.25-1-01.DWG

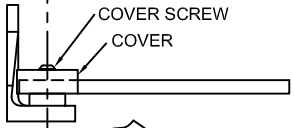
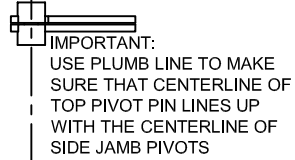
0117.25
 REVISED 11-28-07

0117-1/4 3/4" OFFSET PIVOT SET

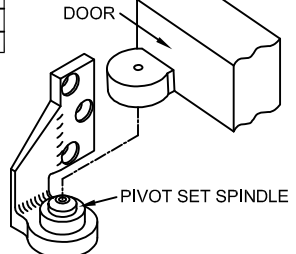


1. INSTALLING PIVOT

- A. MEASURE $\frac{13}{16}$ " OUT FROM DOOR JAMB.
- B. ALLOW $\frac{1}{8}$ " MIN CLEARANCE FROM DOOR STOP TO DOOR FACE. MEASURE DOOR THICKNESS AND ADD $\frac{3}{4}$ ".
- C. WHERE THESE LINES INTERSECT DETERMINES THE CENTERLINE OF THE PIVOT.



ITEM NO.	QTY.	PART NO.
1	1	0117 COVER SCREW
2	1	0117 ARM COVER
3	1	0117 DOOR PORTION
4	1	0117.25 FLOOR PORTION



4. HANG DOOR

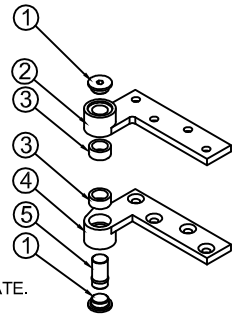
- A. SET DOOR ON 0117.25 PIVOT SET SPINDLE.
- B. PUSH TOP PIVOT PIN IN PLACE AND TIGHTEN 0180 END CAP (ITEM #1).
- C. PUT 0117 ARM COVER (ITEM #2) ON AND SECURE TIGHTLY WITH 0117 COVER SCREW.

2. SET PIVOT SET

- A. MORTISE JAMB TO RECEIVE JAMB PORTION. SET JAMB PORTION SECURELY IN JAMB WITH SCREWS PROVIDED.
- B. IMPORTANT: JAMB PORTION MUST BE LEVEL. LEVEL IN BOTH DIRECTIONS PER ILLUSTRATION.

3. INSTALL TOP PIVOT AND PIVOT ARM

- A. INSTALL TOP PIVOT IN DOOR PER TEMPLATE.
- B. INSTALL TOP PIVOT IN FRAME PER TEMPLATE.
- C. INSTALL ARM IN DOOR PER TEMPLATE.
- D. CENTERLINE OF TOP PIVOT SHOULD LINE UP WITH CENTERLINE OF BOTTOM PIVOT SPINDLE. (USE PLUMB LINE AS ILLUSTRATED)
- E. IF SIDE JAMB PIVOT IS USED, SEE REQUIRED TEMPLATE.



ITEM NO.	QTY.	PART NO.
1	2	0180 END CAP
2	1	0180 JAMB PORTION
3	2	0180 NEEDLE BEARING
4	1	0180 DOOR PORTION
5	1	0180 PIVOT PIN

NOTE:
AFTER TOP PIVOT INSTALLATION IS COMPLETE ITEM #1 (END CAP) **MUST BE TIGHTENED SECURELY.**



www.abhmfg.com
E-mail: abhinfo@abhmfg.com
Architectural Builders Hardware Mfg., Inc.
1222 Ardmore Ave., Itasca, IL 60143
630.875.9900; FAX 800.9FAXABH (932.9224)

© 2007 ABH Mfg., Inc.
printed in USA

0117.25-2-01.DWG

0117.25

REVISED 11-28-07