

0117.50 Pivot Set - 3/4" Offset

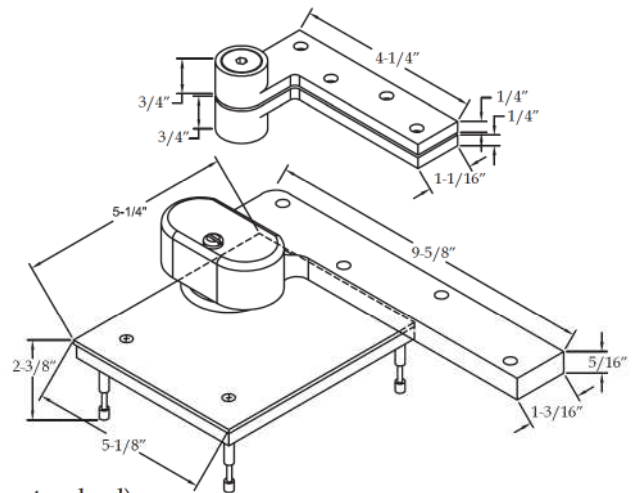
Standard Features

- 0117.50 Bottom Pivot
 - Bottom leaf mortises into floor
 - Door leaf mortises into bottom of door
- 0180 Top Pivot
 - Frame leaf mortises into header
 - Door leaf mortises into top of door
- Handed - Specify LH or RH
- Maximum door load - 650 pounds
- Maximum door width - 48"
- For use on 3-hour fire rated doors
- Heavy duty needle bearings
- Stainless steel base material

Options

- **Extended Spindle** on bottom pivot (up to 2" longer than standard)
- **Extended Pin** on top pivot (up to 3/4" longer than standard)
- **SEC** - Security fasteners
- **B** - Bottom pivot only (no top pivot)

Meets and/or exceeds
ANSI C07121 & C07202



L0117 Pivot Set - 3/4" Offset

Standard Features

- L0117 Bottom Pivot
 - Bottom leaf mortises into floor
 - Door leaf mortises into bottom of door
- L0180 Top Pivot
 - Frame leaf mortises into header
 - Door leaf mortises into top of door
- For use on 1-3/4" lead-lined doors
- Handed - Specify LH or RH
- Maximum door load - 1,750 pounds
- Maximum door width - 48"
- Heavy duty needle bearings
- Stainless steel base material

Options

- **Extended Spindle** on bottom pivot (up to 2" longer than standard)
- **Extended Pin** on top pivot (up to 3/4" longer than standard)
- **SEC** - Security fasteners
- **B** - Bottom pivot only (no top pivot)

Meets and/or exceeds
ANSI C07111

